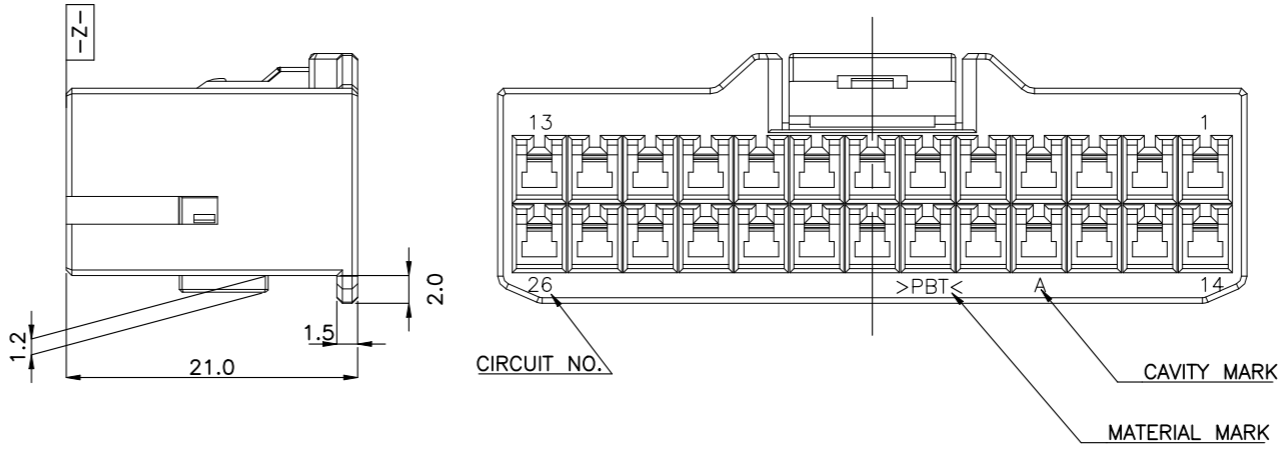
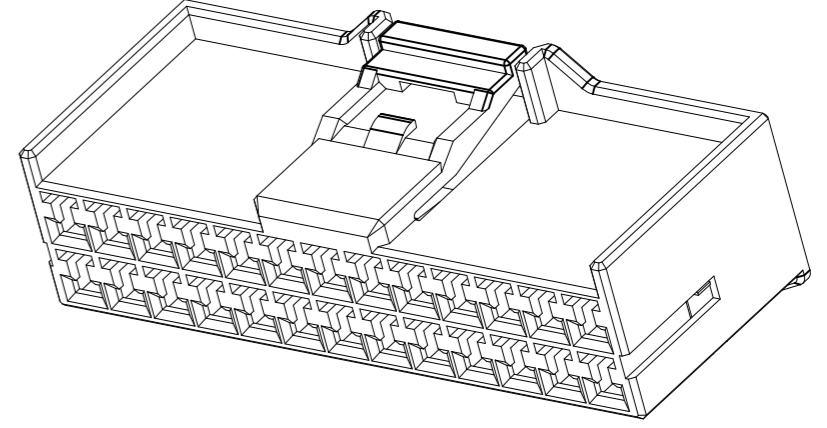
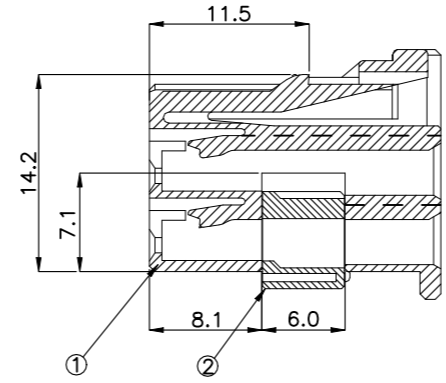
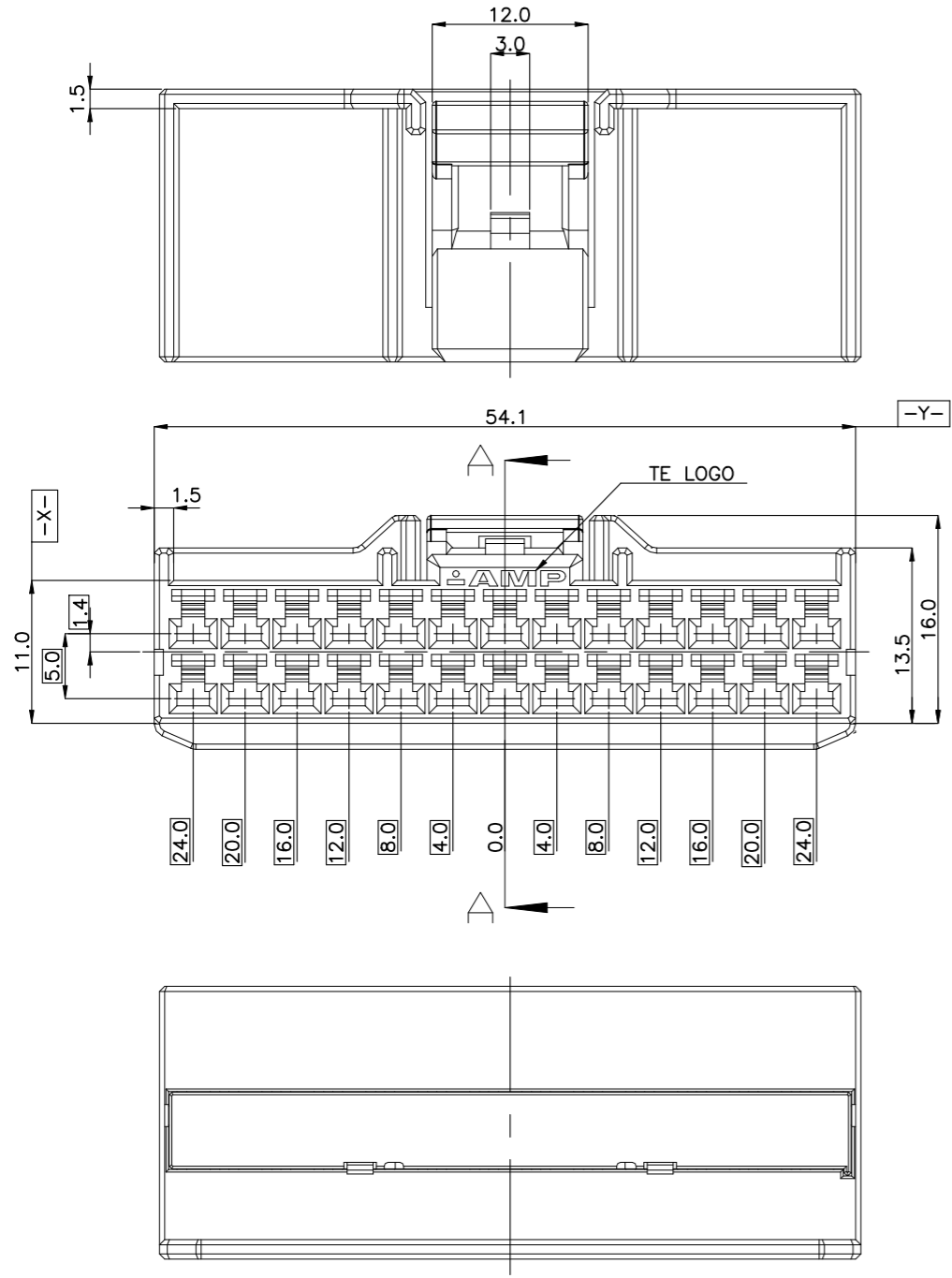


P	LTR	DESCRIPTION	DATE	DWN	APVD
	D2	REVISED (ECR-23-172163)	13APR2023	HG	YJ



ASSY P/N
0-936098-8
0-936098-7
0-936098-6
0-936098-5
0-936098-4
0-936098-3
0-936098-2

NO	COLOR	MATERIAL	DESCRIPTION	P/N	QTY
1	BLUE	PBT	PLUG	0-936099-8	1
	GREEN	PBT	PLUG	0-936099-7	1
	RED	PBT	PLUG	0-936099-6	1
	YELLOW	PBT	PLUG	0-936099-5	1
	BROWN	PBT	PLUG	0-936099-4	1
	D/GRAY	PBT	PLUG	0-936099-3	1
	BLACK	PBT	PLUG	0-936099-2	1
2	NATURAL	PBT	DBL	0-936100-1	1 1 1 1 1 1 1

TOLERANCES UNLESS OTHERWISE SPECIFIED:  
 0 <XX<10 ± 0.2  
 10<XX<30 ± 0.25  
 30<XX ± 0.3  
 ANGLES ± 3°

NOTES.  
 1. THE MATING HSG. P/N ; 936133  
 2. APPLIED CONTACT P/N ;  
 090 II REC.- 368083,368084,368085  
 090 III REC.- 1743654,1743655,1743656,1897753,1897598

-추가-  
 1. 상대 하우징 P/N. ; 936133  
 2. 적용단자 P/N. ; 090 II REC.- 368083,368084,368085  
 090 III REC.- 1743654,1743655,1743656,1897753,1897598

THIS DRAWING IS A CONTROLLED DOCUMENT.

DIMENSIONS: mm	TOLERANCES UNLESS OTHERWISE SPECIFIED: 0 PLC ± - 1 PLC ± - 2 PLC ± - 3 PLC ± - 4 PLC ± - ANGLES ± -	DWN JM JEON CHK JW JUNG APVD HG CHO PRODUCT SPEC APPLICATION SPEC WEIGHT 0	TE Connectivity 090III 26P PLUG ASS'Y SIZE A3 CAGE CODE 00779 DRAWING NO C-936098 RESTRICTED TO -
MATERIAL SEE TABLE	FINISH -	CUSTOMER DRAWING	SCALE 2:1 SHEET 1 OF 1 REV D2