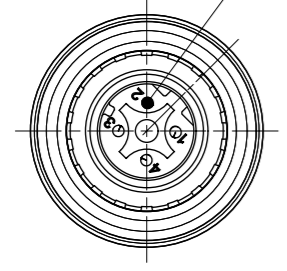


VIEW FROM THE FRONT SIDE

| PIN | WIRE COLOR |
|-----|------------|
| 1 | YE |
| 2 | WH |
| 3 | OR |
| 4 | BU |

SHIELD CONNECTED TO COUPLING NUTS



VIEW FROM THE FRONT SIDE

PART No. MATRIX

| | | | | | | | | | | | | |
|---|---|---|---|---|---|---|---|---|---|---|---|---|
| E | W | W | A | 0 | 6 | 2 | 1 | 0 | M | X | X | X |
|---|---|---|---|---|---|---|---|---|---|---|---|---|

E=ETHERNET

HEADS:
W=M12 4-Pole Ultra Lock D-Coding
W=M12 4-Pole Ultra Lock D-Coding

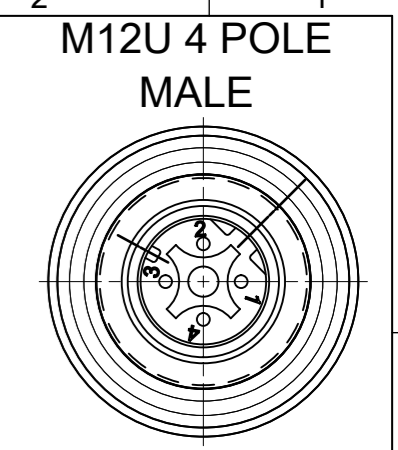
HEADS STYLE:
062=MALE STR / MALE RA

UNITS:
M = METER
T=10x METER

LENGTH EXAMPLES:
005=0.5m
010=1m
150=15m

WIRING TYPE:
A=4 Pole STRAIGHT WIRED

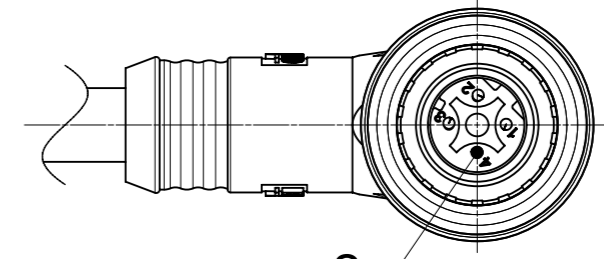
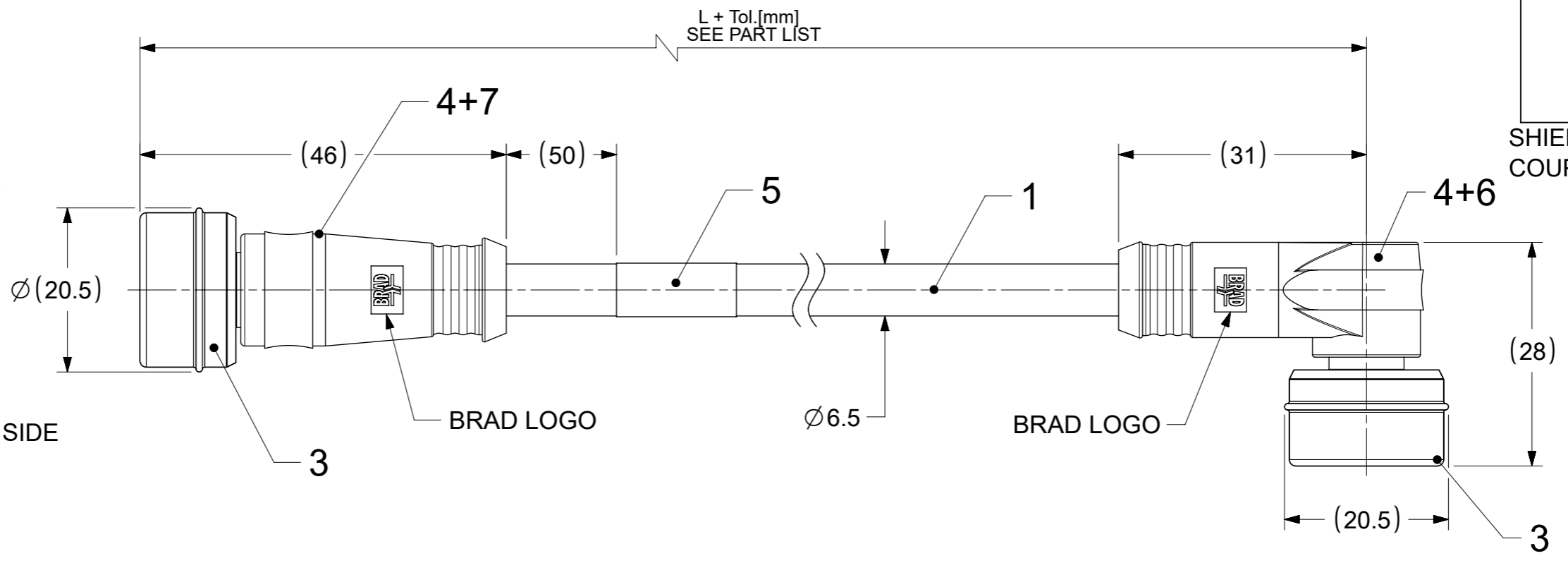
CABLE TYPE



VIEW FROM THE FRONT SIDE

| PIN | WIRE COLOR |
|-----|------------|
| 1 | YE |
| 2 | WH |
| 3 | OR |
| 4 | BU |

SHIELD CONNECTED TO COUPLING NUTS



VIEW FROM THE FRONT SIDE

PART LIST

| MOLEX PN | ENGINEERING No | L+Tol. [mm] |
|------------|----------------|-------------|
| 1201080097 | EWWA06210M006 | 600+45 |
| 1201080098 | EWWA06210M010 | 1000 +56 |
| 1201080099 | EWWA06210M020 | 2000 +89 |
| 1201080100 | EWWA06210M050 | 5000+165 |
| 1201080101 | EWWA06210M100 | 10000+317 |
| 1201080151 | EWWA06210M030 | 3000+89 |

BOM

| ITEM | QTY. | DESCRIPTION | MATERIAL | FINISH/COLOR |
|------|------|-------------------------|----------|--------------|
| 7 | 1 | LEEVE SHIELD | BRASS | Ni-PLATED |
| 6 | 1 | SHIELD CLOSURE CAP-90 | BRASS | Ni-PLATED |
| 5 | 1 | LABEL | VINYL | YELLOW |
| 4 | - | MOULDING MATERIAL | TPU | BLACK |
| 3 | 2 | ULTRALOCK MALE ASSEMBLY | - | - |
| 2 | 8 | CONTACT MALE | BRASS | Au OVER Ni |
| 1 | - | ETHERNET CABLE-CAT5eES | PUR | GREEN |

NOTES :

ACC. TO CAT5e ETHERNET STD.
 MAX. VOLTAGE : 30V
 MAX. CURRENT : 1.5A
 IP RATING : IP67
 TEMPERATURE RANGE : -20°C TO +75°C

| | | | | | | |
|--|---|------------------------|-------------------|-----------------------------|-----------------|----------------|
| FUNCTIONAL SYMBOLS | THIS DRAWING CONTAINS INFORMATION THAT IS PROPRIETARY TO MOLEX ELECTRONIC TECHNOLOGIES, LLC AND SHOULD NOT BE USED WITHOUT WRITTEN PERMISSION | SCALE | CURRENT REV DESC: | molex | | |
| ▽A = 0 | mm | 3:2 | | MIC 4P M/MP ULLOCK ST/90 XM | | |
| ▽E = 0 | GENERAL TOLERANCES (UNLESS SPECIFIED) | | | PRODUCT CUSTOMER DRAWING | | |
| ▽V = 0 | ANGULAR TOL ± 1.0° | | | | | |
| | 4 PLACES ± | | | | | |
| | 3 PLACES ± | | | | | |
| DIVISIONAL SYMBOLS | | | | DOCUMENT NUMBER | | |
| | | | | 1201080097 | | |
| | | | | DOC TYPE DOC PART REVISION | | |
| | | | | PSD 000 A | | |
| DRAFT WHERE APPLICABLE MUST REMAIN WITHIN DIMENSIONS | | THIRD ANGLE PROJECTION | DRAWING | SERIES | MATERIAL NUMBER | CUSTOMER |
| | | ⊕ ⊞ | A3-SIZE | 120108 | SEE PART LIST | GENERAL MARKET |
| | | | | | | SHEET NUMBER |
| | | | | | | 1 OF 1 |