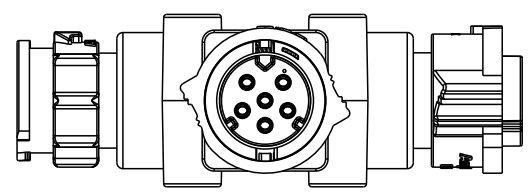
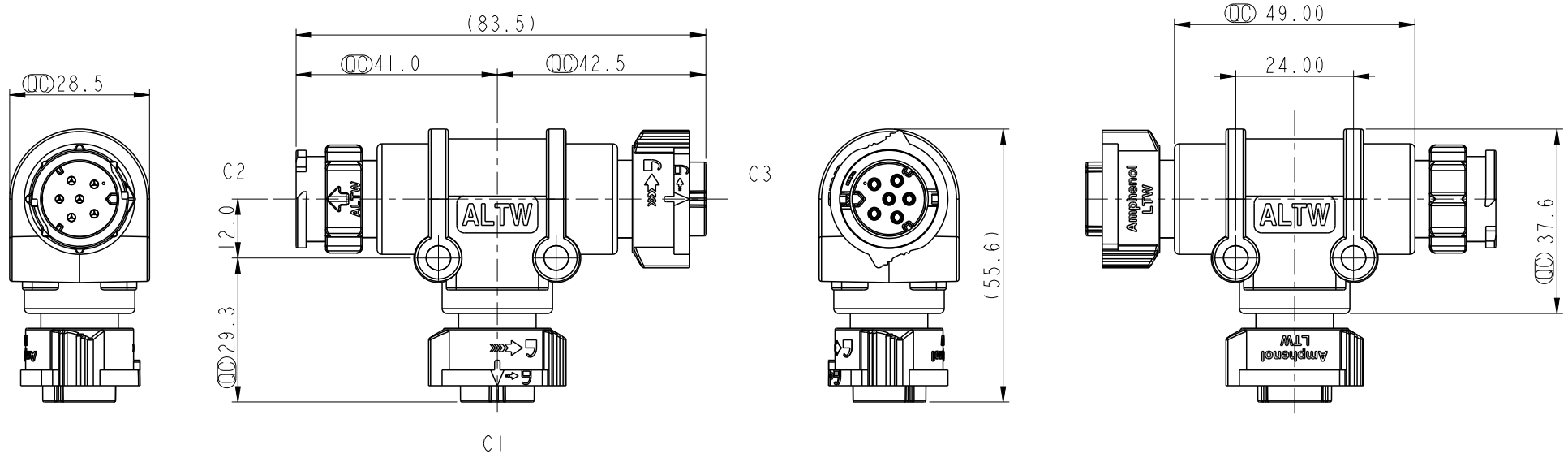



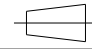
THIS DOCUMENT IS SUBJECT TO CHANGE WITHOUT NOTICE. IT IS CONFIDENTIAL AND A PROPERTY OF Amphenol LTW. DISCLOSURE TO THIRD PARTY HAS TO BE AUTHORIZED BY Amphenol LTW.

REV.	DESCRIPTION
A	Rev.01 to Rev.A



**ALTW**  
**CONFIDENTIAL**  
 2019-09-20  
**R&D DEPT.**

Notes:  
 \*C1~C3  
 IP: IP68(1M/24H)  
 Connector: Thermoplastic  
 Pin: Copper Alloy  
 Nut: Thermoplastic

UNIT:mm    
 TOLERANCE  
 ±0.5mm

TITLE T Adaptor X-Lok, C Size			
SCALE 1:1	SIZE A4	SHEET 1 OF 2	
REV. A	WC-REV. .0	⊘: Inspection item	

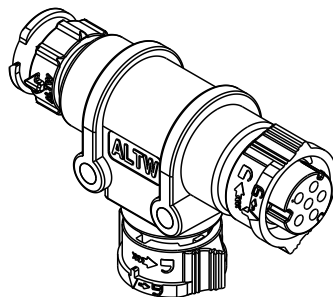
**Amphenol LTW**  
**安費諾亮泰企業股份有限公司**

ITEM NO	DWG NO	CUSTOMER
	AB-CB-XXXXXX-FMF-TQ001	ALTW

DRAWN BY Eric	CHECKED BY Brady	APPROVED BY Neo
------------------	---------------------	--------------------

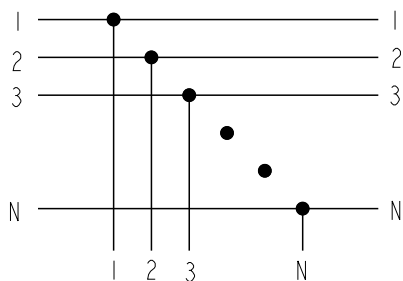
DATE 2019/09/20	DATE 2019/09/20	DATE 2019/09/20
--------------------	--------------------	--------------------

AB-CB-XXXXXX-FMF-TQ001



Connector Type:

- 04: 4Pin
- 05: 5Pin
- N: N Pin



Connection Diagram

	Pin Assignments Front View					
	4PIN		5PIN		6PIN	
MALE						
Female						
Pin Out	Pin#	Color	Pin#	Color	Pin#	Color
	Pin1	Black(黑)	Pin1	Black(黑)	Pin1	Black(黑)
	Pin2	Brown(棕)	Pin2	Brown(棕)	Pin2	Brown(棕)
	Pin4	Orange(橙)	Pin3	Red(紅)	Pin3	Red(紅)
	Pin5	Yellow(黃)	Pin4	Orange(橙)	Pin4	Orange(橙)
			Pin5	Yellow(黃)	Pin5	Yellow(黃)
				Pin6	Green(綠)	

UNIT:mm

TOLERANCE ±0.5mm

TITLE: T Adaptor X-Lok, C Size

SCALE: 1:1 SIZE: A4 SHEET: 2 OF 2

REV. A WC-REV. .0 : Inspection item

**Amphenol LTW**  
安費諾亮泰企業股份有限公司

ITEM NO: DWG NO: AB-CB-XXXXXX-FMF-TQ001 CUSTOMER: ALTW

DRAWN BY: Eric  
CHECKED BY: Brady  
APPROVED BY: Neo

DATE: 2019/09/20  
DATE: 2019/09/20  
DATE: 2019/09/20