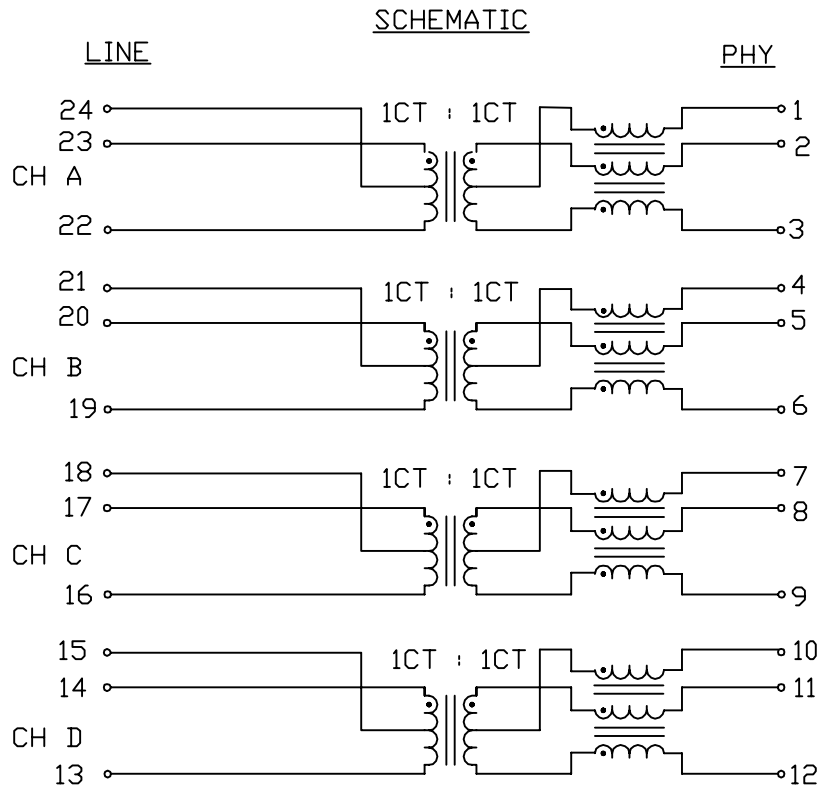


THE INFORMATION CONTAINED HEREIN IS CONSIDERED 'PROPRIETARY' TO BEL FUSE INC. AND SHALL NOT BE COPIED, REPRODUCED OR DISCLOSED WITHOUT THE WRITTEN APPROVAL OF BEL FUSE INC.

ELECTRICAL SPECIFICATION @25°C



TURNS RATIO  
 (2-1-3) : (23-24-22)  
 (5-4-6) : (20-21-19)  
 (8-7-9) : (17-18-16)  
 (11-10-12) : (14-15-13)

1CT : 1CT  
 1CT : 1CT  
 1CT : 1CT  
 1CT : 1CT

POLARITY  
 □CL  
 @100kHz, 100mV, 23mA DC BIAS  
 @100kHz, 100mV, 8mA DC BIAS

PER DOT CONVENTION

120uH MIN  
 180uH MIN

HIPOT

2250VDC

INSERTION LOSS

FREQ(MHz)	1	2-300	400	500
MAX (dB)	0.3	1.0	1.5	2.0

RETURN LOSS  
 (100 OHM LINESIDE LOAD)

FREQ(MHz)	1	2-100	200	500	600
MIN (dB)	18	20	15	12	9

COMM. TO DIFF. MODE  
 REJECTION

FREQ(MHz)	50	100	200	300	400	500
MAX (dB)	48	42	36	33	30	28

DIFF. TO COMM. MODE  
 REJECTION

FREQ(MHz)	50	100	200	300	400	500
MAX (dB)	30	27	24	22	21	20

BALANCED DC LINE CURRENT: 1A MAXIMUM CONTINUOUS @57VDC

DESIGNED FOR EXTENDED TEMPERATURE 10G 100W 802.3BT APPLICATIONS

OPERATING TEMPERATURE : -40 TO 85°C

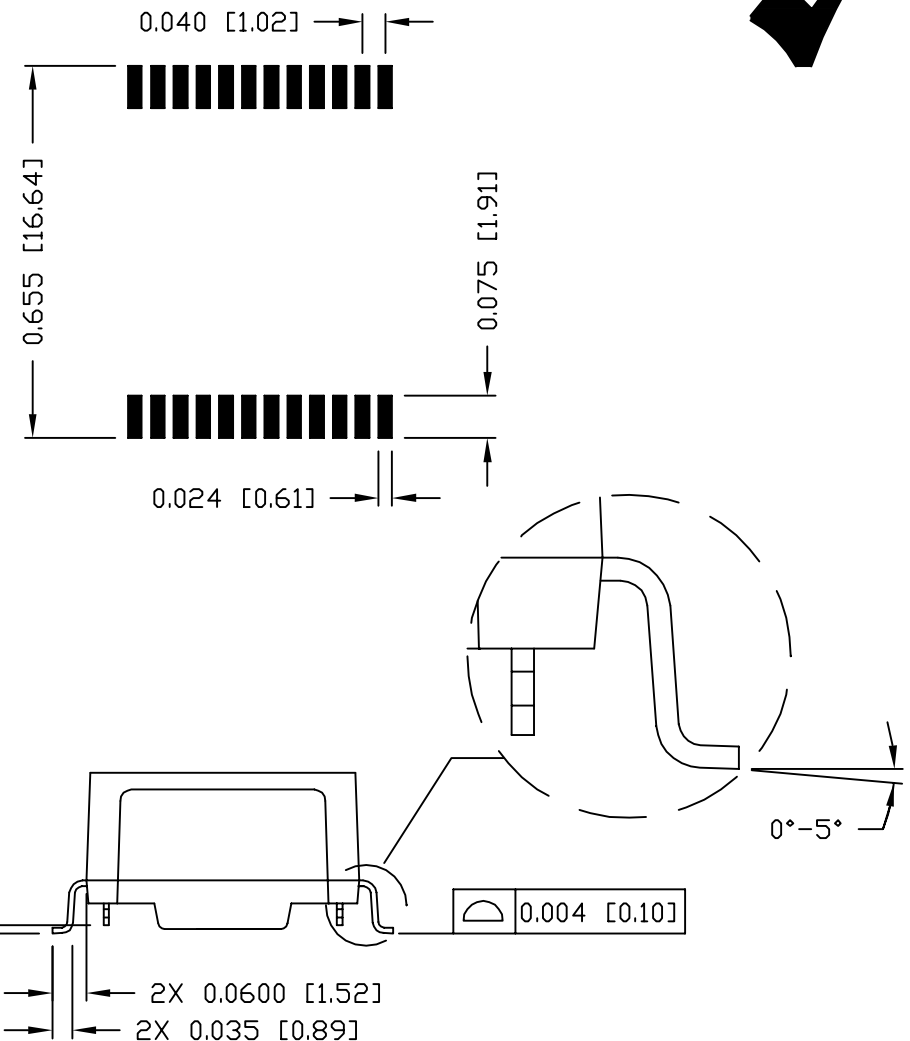
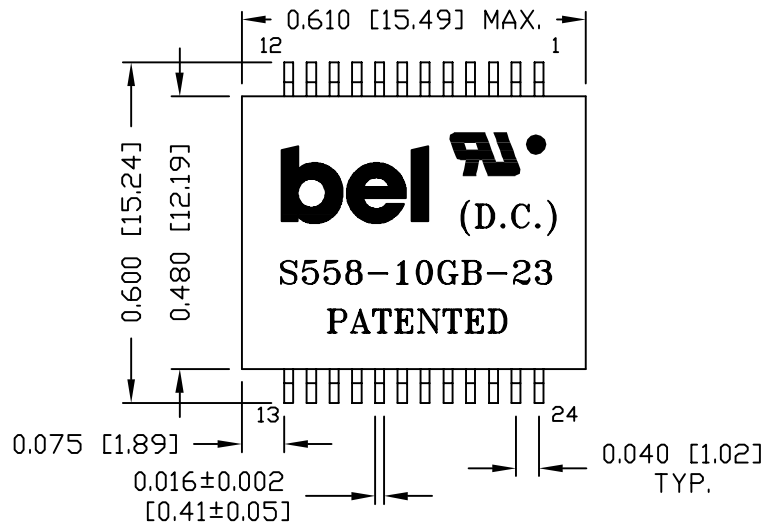
\* INTERNAL USE ONLY

ORIGINATED BY	DATE	TITLE	PART NO. / DRAWING NO.	STANDARD DIM.	[ ] METRIC DIM. AS REF.	REV. : PA	PAGE : 2
Alice Pang	2020-01-21	ELECTRICAL SPECIFICATION	S558-10GB-23	TOL. IN INCH	UNIT : INCH [mm]		POWER   PROTECT   CONNECT
DRAWN BY	DATE		FILE NAME	.X	SCALE : N/A		
ZC Guo	2020-01-21		S55810GB23PA.DWG	.XX	SIZE : A4		
				.XXX			

THE INFORMATION CONTAINED HEREIN IS CONSIDERED 'PROPRIETARY' TO BEL FUSE INC. AND SHALL NOT BE COPIED, REPRODUCED OR DISCLOSED WITHOUT THE WRITTEN APPROVAL OF BEL FUSE INC.



SUGGESTED PCB PAD LAYOUT



NOTES:

- STANDARD MARKING REFER TO DOC. HAND-WORK-04.
- PACKAGE CODE: "QABS001".

ORIGINATED BY Lawrence Tsang	DATE 2020-01-21	TITLE MECHANICAL SPECIFICATION	PART NO. / DRAWING NO. S558-10GB-23	STANDARD DIM. TOL. IN INCH .X .XX ±0.01 .XXX ±0.005	[ ] METRIC DIM. AS REF. UNIT : INCH [mm] SCALE : N/A SIZE : A4	REV. : PA	PAGE : 3
DRAWN BY ZC Guo	DATE 2020-01-21		FILE NAME S55810GB23PA.DWG				