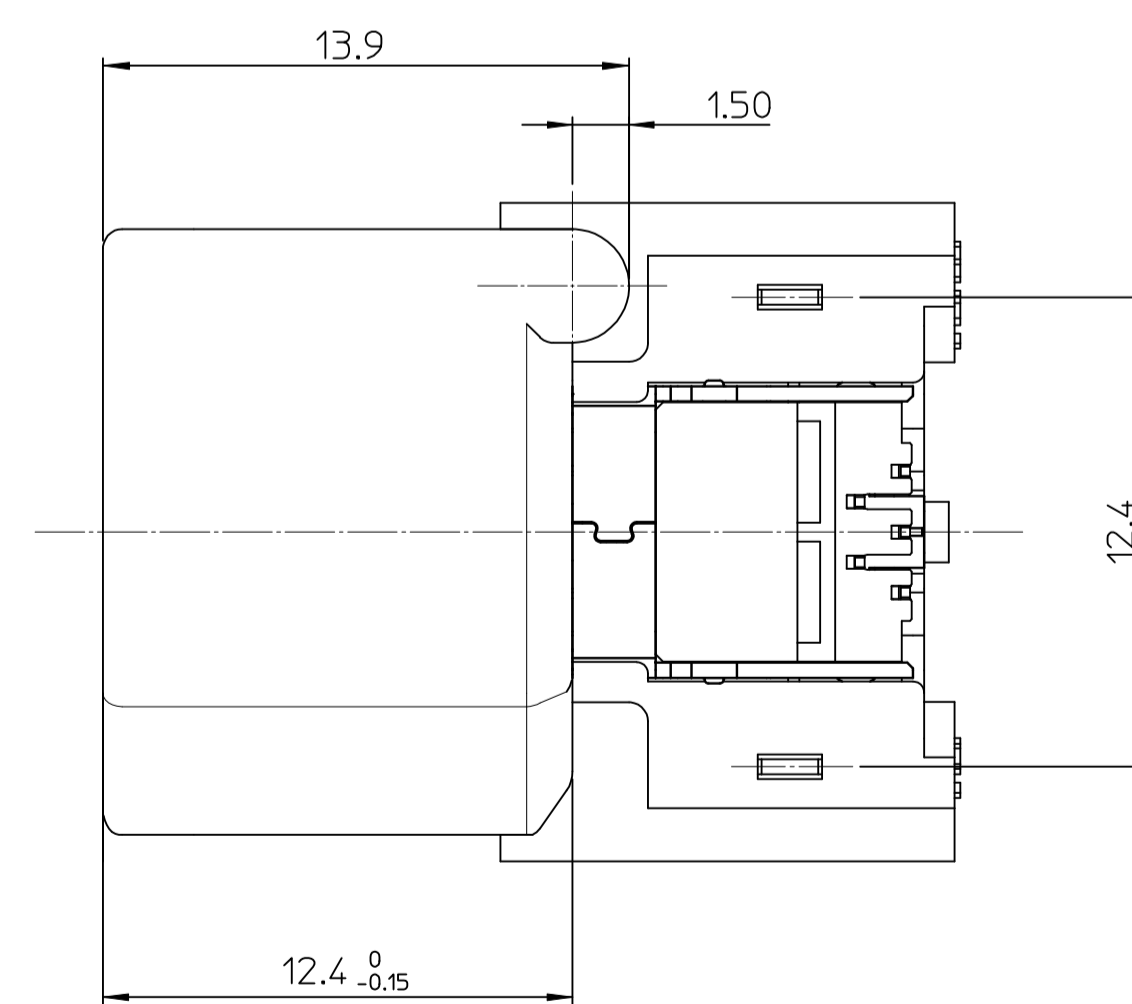


- NOTES
- MATES WITH :
MOLEX SERIES NO. : 111014, 111015, 111005, 111041, 111019, 111020
 - SHROUD GEOMETRY AND ASSEMBLY WITH USB MINI-B CONNECTOR ARE ACCORDING TO USCAR STD 999-U-USB-Z01
 - FINISHES
 - TERMINAL :
CONTACT AREA : GOLD 0.75μm MIN.
SOLDER TAIL AREA : TIN 3.8μm MIN.
UNDER PLATING : NI 1.25μm MIN.
 - SHIELD CASE :
3.0μm MIN. TIN OVER NI 1.0μm MIN.
 - FITTING NAIL :
3.0μm MIN. TIN OVER NI 1.0μm MIN.
 - UNLESS OTHERWISE SPECIFIED, TYPICAL RECOMMENDED PCB MANUFACTURING TOLERANCE IS ±0.05
 - PCB THICKNESS : 1.6mm(REFERENCE)



<PART LIST>

NO.	PART NAME	MATERIALS
①	SHROUD	SPS, GLASS FILLED, UL94 HB
②	REC. HOUSING	LCP, GLASS FILLED, UL94 V-0
③	TERMINAL	COPPER ALLOY
④	SHIELD CASE	PHOSPHOR BRONZE
⑤	FITTING NAIL	BRASS

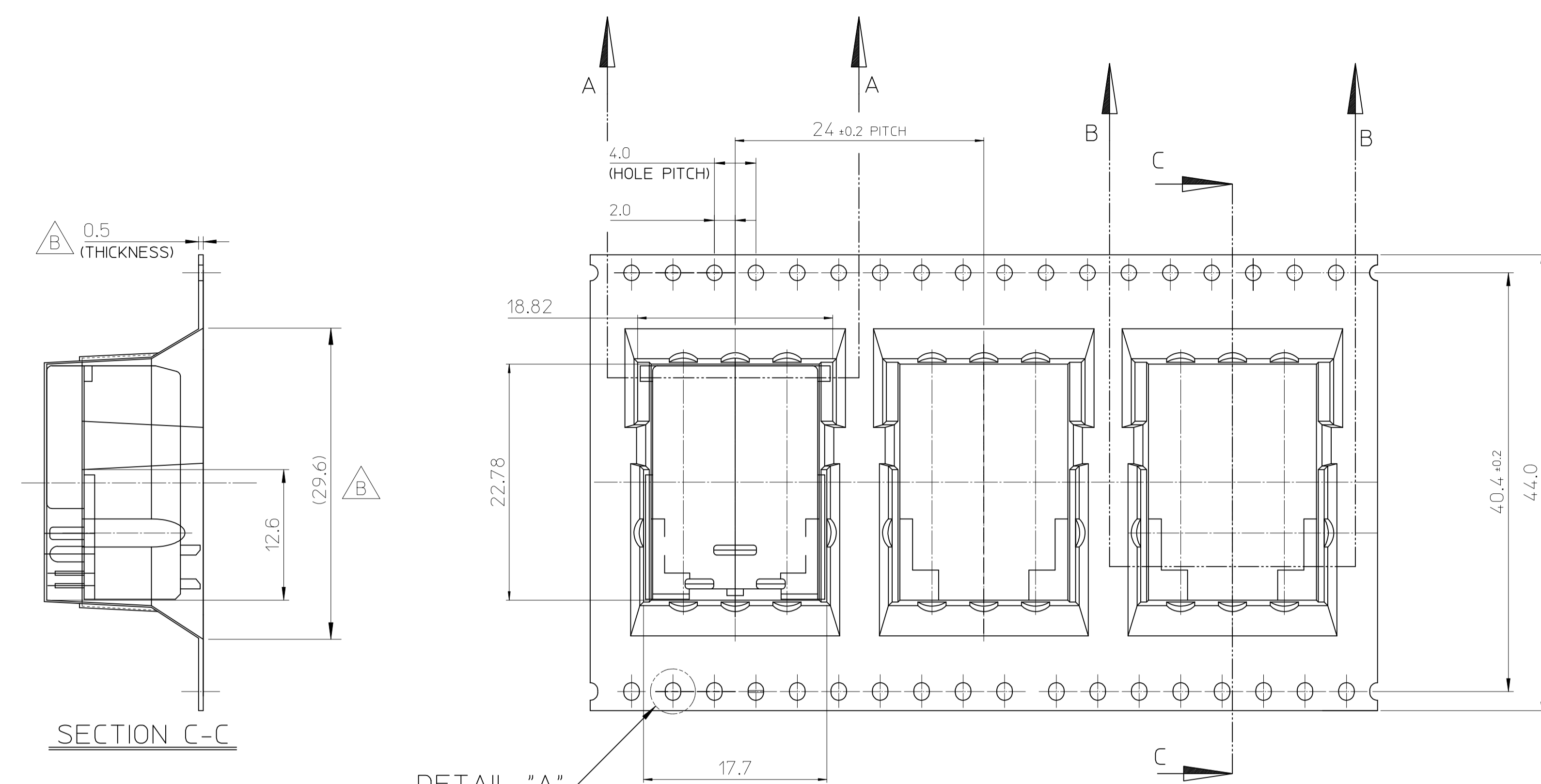
<TABLE 1>

MATERIAL NO.	ORDER NO.	PACKAGING	COLOR
1040870801	104087-0801	TAPE & REEL	BLACK

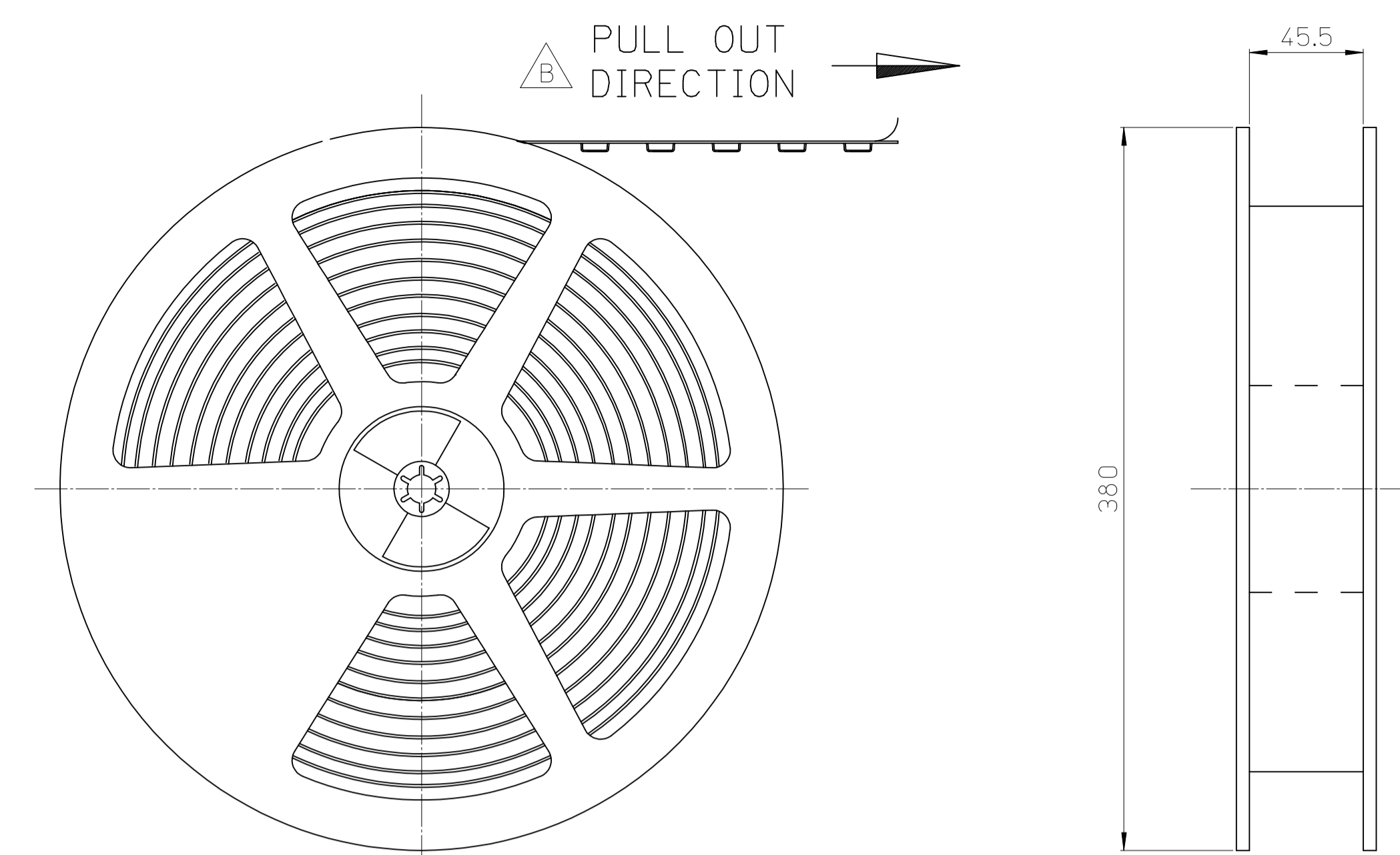
DRAWING ERROR EC NO: KK1R220177-003333 DRWN: MK1M02 2017/01/14 CHKD: JHJANG APPR: JHJANG 2017/03/20	QUALITY SYMBOLS	GENERAL TOLERANCES (UNLESS SPECIFIED)	DIMENSION STYLE	SCALE	DESIGN UNITS	THIRD ANGLE PROJECTION
	▽=0	mm INCH	MM ONLY	5:1	METRIC	
	▽=0	4 PLACES ± --- ± ---	DRAWN BY	DATE	TITLE	
	▽=0	3 PLACES ± --- ± ---	HIMOON	2013/08/23	HSAUTOLINK R/A HEADER	
		2 PLACES ± 0.15 ± ---	CHECKED BY	DATE	OPTION TYPE A	
		1 PLACE ± 0.25 ± ---	BCYOON	2013/08/23	(TAPE & REEL PACKING)	
		0 PLACE ± --- ± ---	APPROVED BY	DATE		
			JYCHOI	2013/09/04		
		ANGULAR ± 1 °	MATERIAL NO.	DOCUMENT NO.		
		DRAFT WHERE APPLICABLE MUST REMAIN WITHIN DIMENSIONS	SEE TABLE 1	RSD-104087-007		
			SIZE A1	THIS DRAWING CONTAINS INFORMATION THAT IS PROPRIETARY TO MOLEX INCORPORATED AND SHOULD NOT BE USED WITHOUT WRITTEN PERMISSION		SHEET NO. 1 OF 2

RECOMMENDED PCB LAYOUT

molex



EMBOSS TAPE

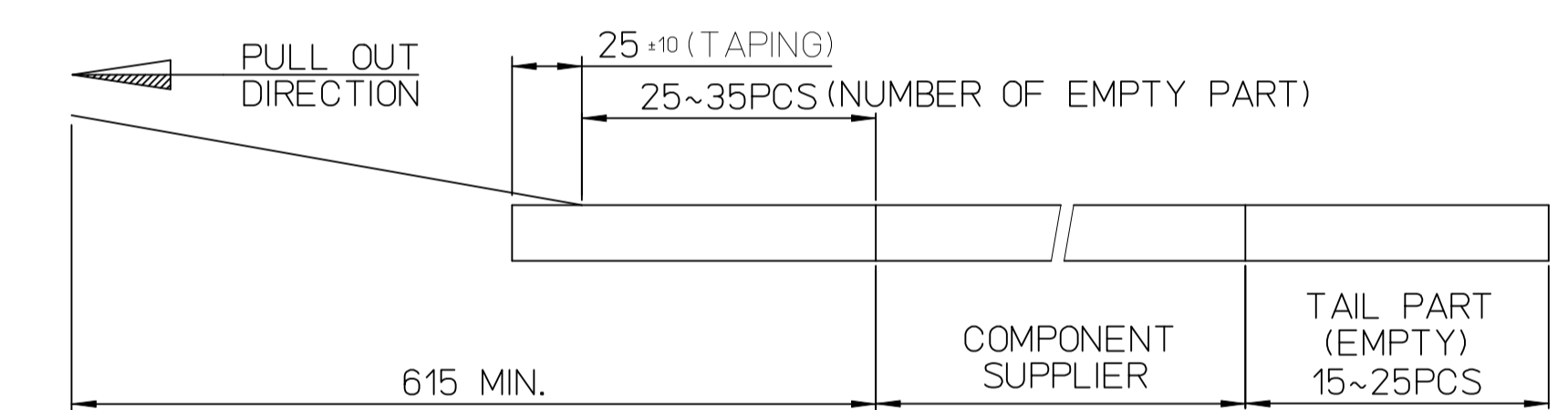


PLASTIC BOBBIN

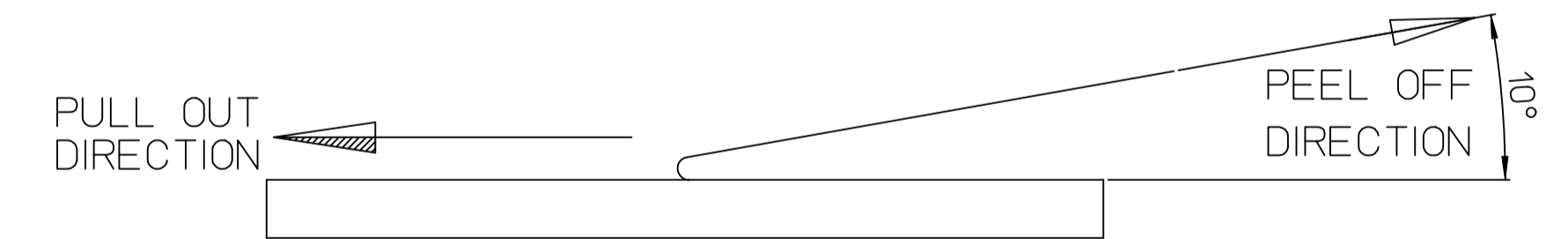
NOTES

1. QUANTITY OF CONNECTORS : 200EA/REEL
2. MATERIAL
 - EMBOSS TAPE : P.E.T ANTISTATIC
 - PASTIC BOBBIN : P.S

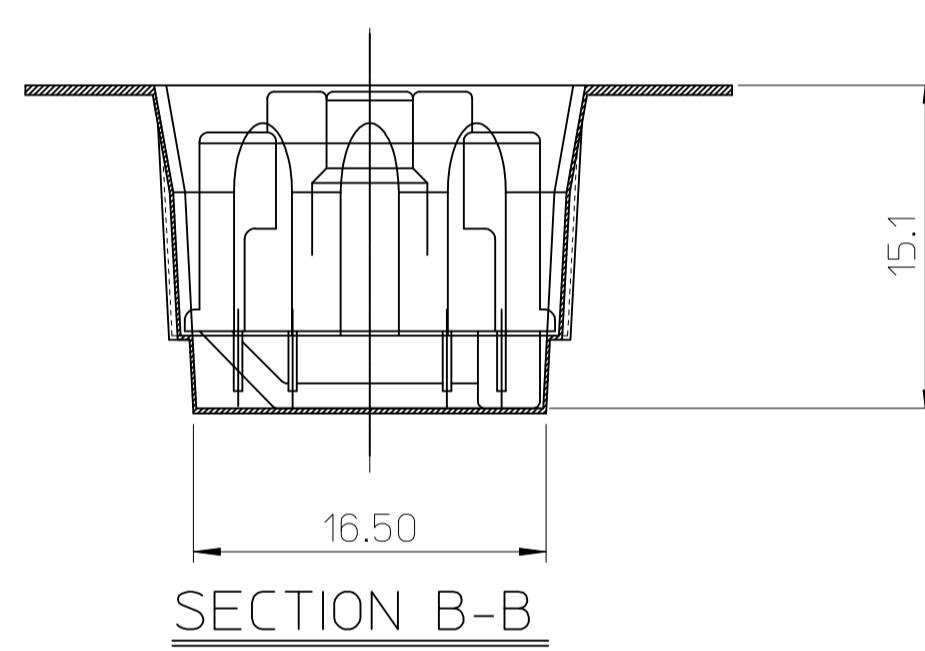
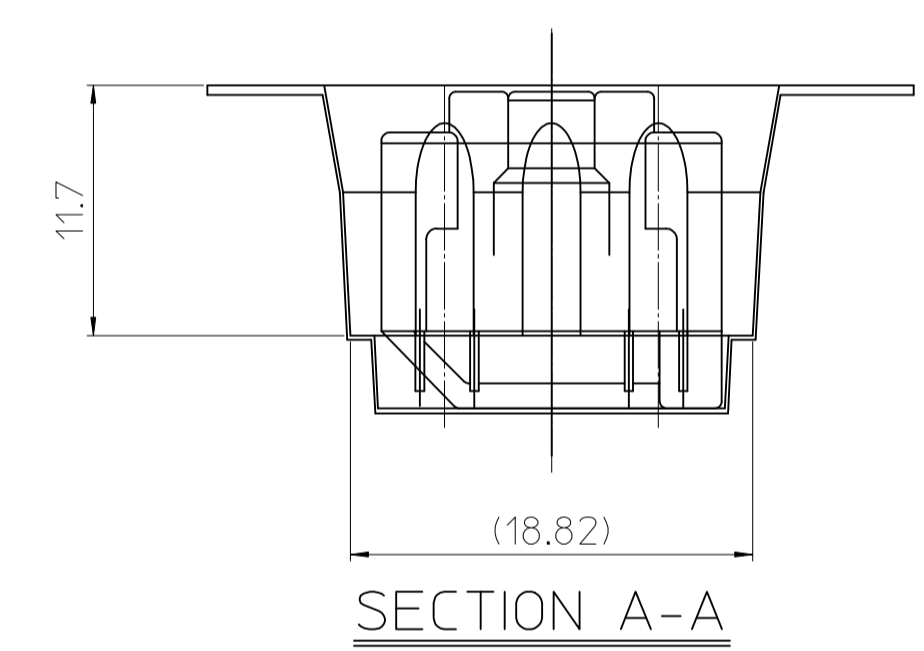
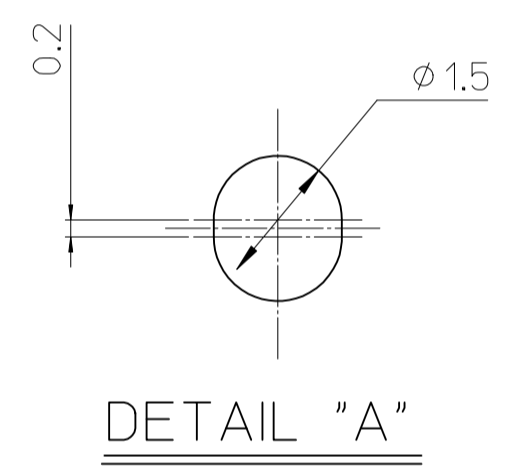
3. LEAD LENGTH



4. PEELING OFF FORCE OF COVER TAPE : 0.1N~0.59N(10.2GF~60GF)
(PEELING DIRECTION AS SHOW IN FOLLOW FIG.)
PEELING OFF SPEED : 300mm/Min.(Ref.)



5. FLASH IN ANY PORTION SHOULD BE LESS THAN 0.20mm MAX.



DRAWING ERROR EC NO: KTR2017-0033 DRWN: JWK IM02 2017/01/14 CH'KD: APPR: JHJANG 2017/03/20	QUALITY SYMBOLS	GENERAL TOLERANCES (UNLESS SPECIFIED)	DIMENSION STYLE MM ONLY	SCALE 5:1	DESIGN UNITS METRIC	THIRD ANGLE PROJECTION
	▽=0	4 PLACES ± --- ± ---	mm INCH	DRAWN BY HIMOON	DATE 2013/08/23	TITLE HSAUTOLINK R/A HEADER OPTION TYPE A (TAPE & REEL PACKING)
	▽=0	3 PLACES ± --- ± ---		CHECKED BY BCYOON	DATE 2013/08/23	molex
	▽=0	2 PLACES ± 0.15 ± ---		APPROVED BY JYCHOI	DATE 2013/09/04	
		1 PLACE ± 0.25 ± ---		MATERIAL NO. SEE TABLE 1	DOCUMENT NO. RSD-104087-007	SHEET NO. 2 OF 2
		0 PLACE ± --- ± ---		ANGULAR ± 1 °		
		DRAFT WHERE APPLICABLE MUST REMAIN WITHIN DIMENSIONS		SIZE A2	THIS DRAWING CONTAINS INFORMATION THAT IS PROPRIETARY TO MOLEX INCORPORATED AND SHOULD NOT BE USED WITHOUT WRITTEN PERMISSION	