

NOTES:

1.0 MATERIALS:

- 1.1 HOUSING AND COUPLING NUT: STAINLESS STEEL PER QQ-S-764 AND ASTM-A-582, TYPE 303.
- 1.2 CENTER CONTACT: BERYLLIUM COPPER ROD ALLOY C172, PER QQ-C-530.
- 1.3 DIELECTRIC: PTFE FLUOROCARBON PER MIL-P-19468 AND L-P-403

2.0 PLATING:

- 2.1 HOUSING AND COUPLING NUT: PASSIVATED PER QQ-P-35 AND MIL-F-14072.
- 2.2 CENTER CONTACT: GOLD PER MIL-G-45204 TYPE II, CLASS 2

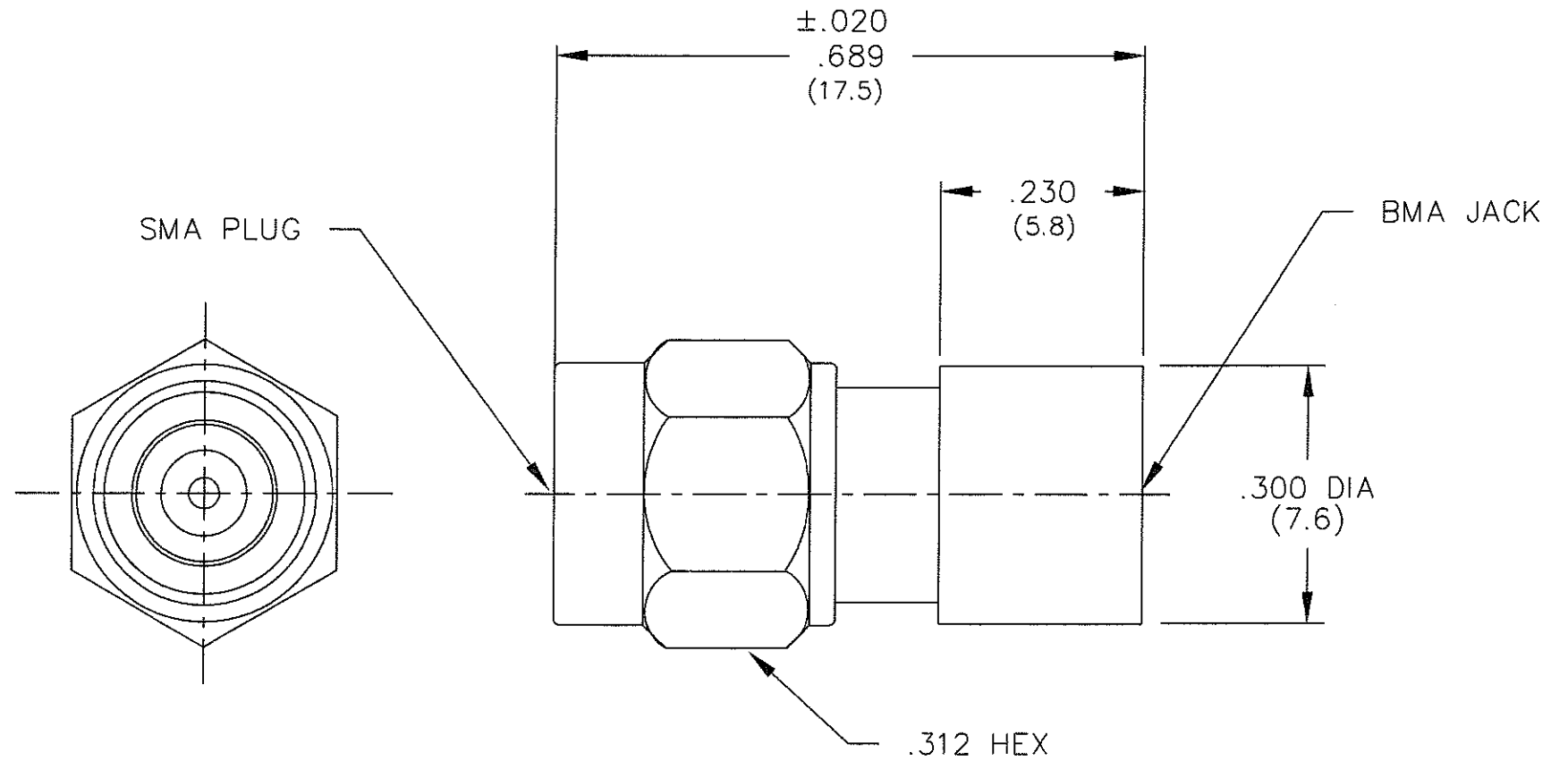
3.0 MECHANICAL:

- 3.1 INTERFACE PER MIL-STD-348 IN ACCORDANCE WITH MIL-C-39012.
- 3.2 CENTER CONTACT CAPTURED IN ACCORDANCE WITH MIL-A-55339.

4.0 DIMENSIONS IN PARENTHESIS ARE MILLIMETERS.

5.0 ELECTRICAL:

- 5.1 FREQUENCY RANGE: DC to 18GHz
- 5.2 MAX V.S.W.R.: 1.05+.005 (GHz)



MODEL NUMBER
ADT-2768-SM-BMF-02
REV.
-1

REV.	DESCRIPTION	DATE
-	RELEASED	2/9/91
-1	ADDED TITLEBLOCK	3/16/05

UNLESS OTHERWISE NOTED DIMENSIONS ARE IN INCHES AND TOLERANCES ARE: 3 PLACE DECIMALS ±.005 2 PLACE DECIMALS ±.02 FRACTIONS ±1/64 PARALLELITY: T.I.R. _____ FLATNESS: T.I.R. _____ CONCENTRICITY: T.I.R. _____ ANGLES AND PERPENDICULARITY: ±1'	FSCM NO. 34078	MIDWEST MICROWAVE	
	NOTICE: The information contained in this drawing is proprietary and must not be used without the permission of Midwest Microwave	TITLE ADAPTER SMA MALE to BMA FEMALE	
	DRAWN/DATE D.SIEWERT 2/5/91	ENG./DATE R.FAWSON 2/7/91	DRAWING NUMBER ADT-2768-SM-BMF-02
	CHECKED/DATE A.BEATTY 2/7/91	APPROVED/DATE T.GORDON 2/7/91	SCALE: 5=1 SHEET 1 of 1