

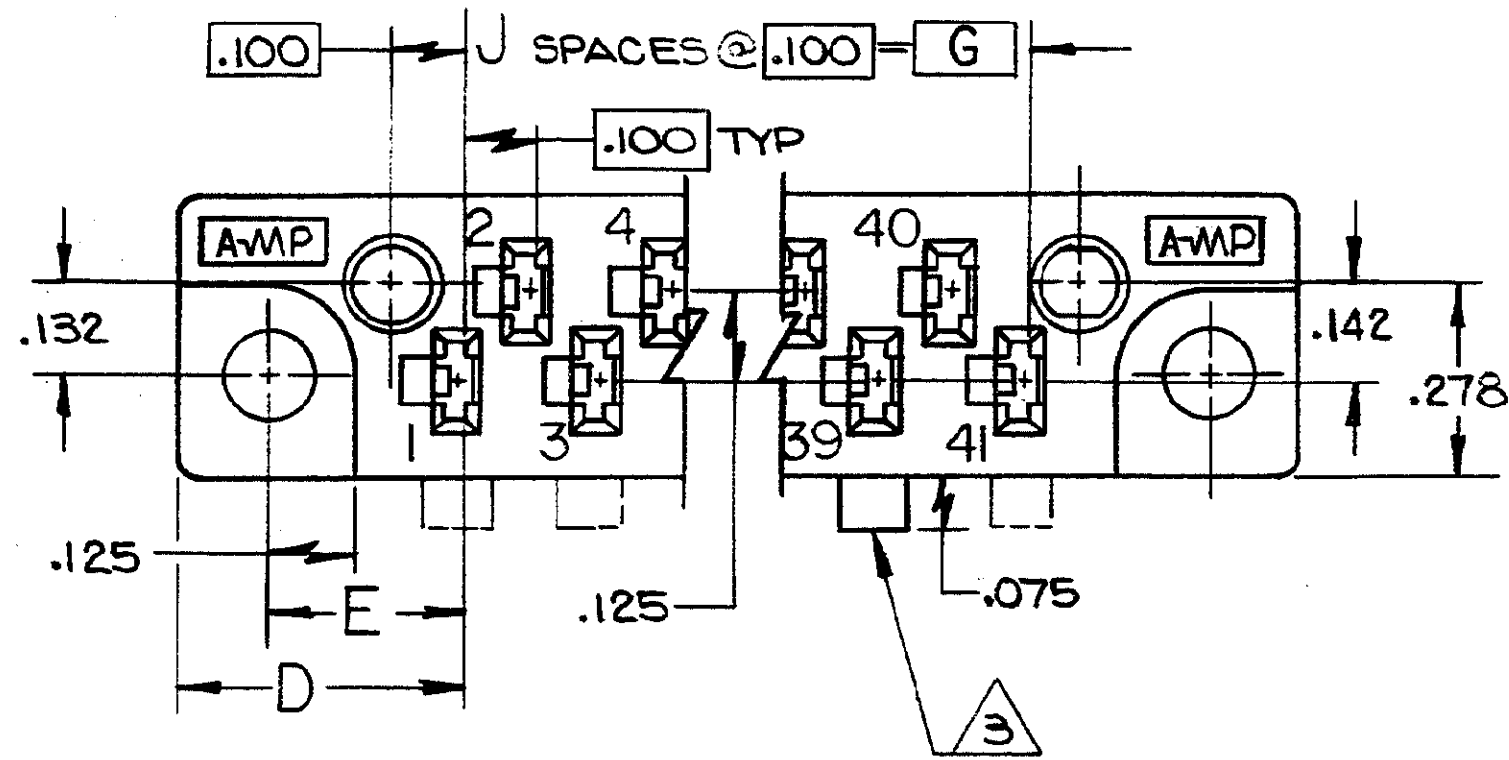
DRAWING MADE IN THIRD ANGLE PROJECTION

© COPYRIGHT 1979 BY AMP INCORPORATED, HARRISBURG, PA.
ALL INTERNATIONAL RIGHTS RESERVED. AMP INCORPORATED PRODUCTS
COVERED BY U. S. AND FOREIGN PATENTS AND/OR PATENTS PENDING.

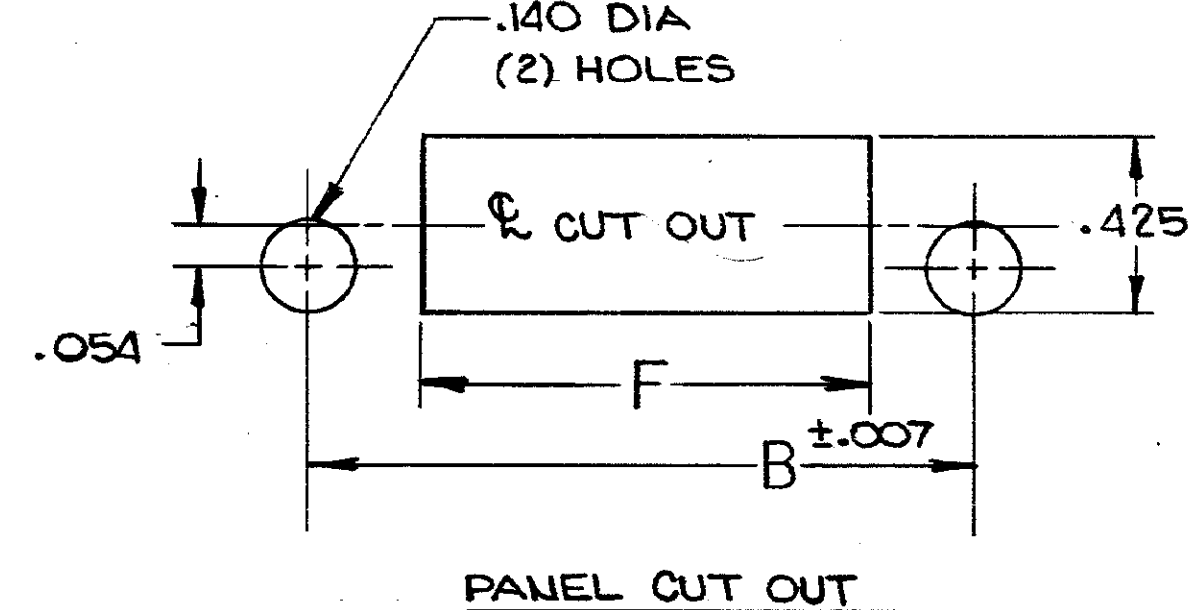
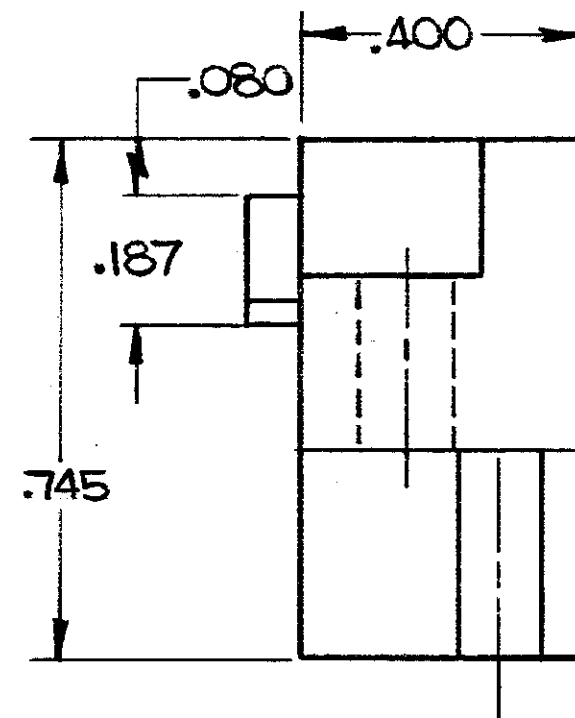
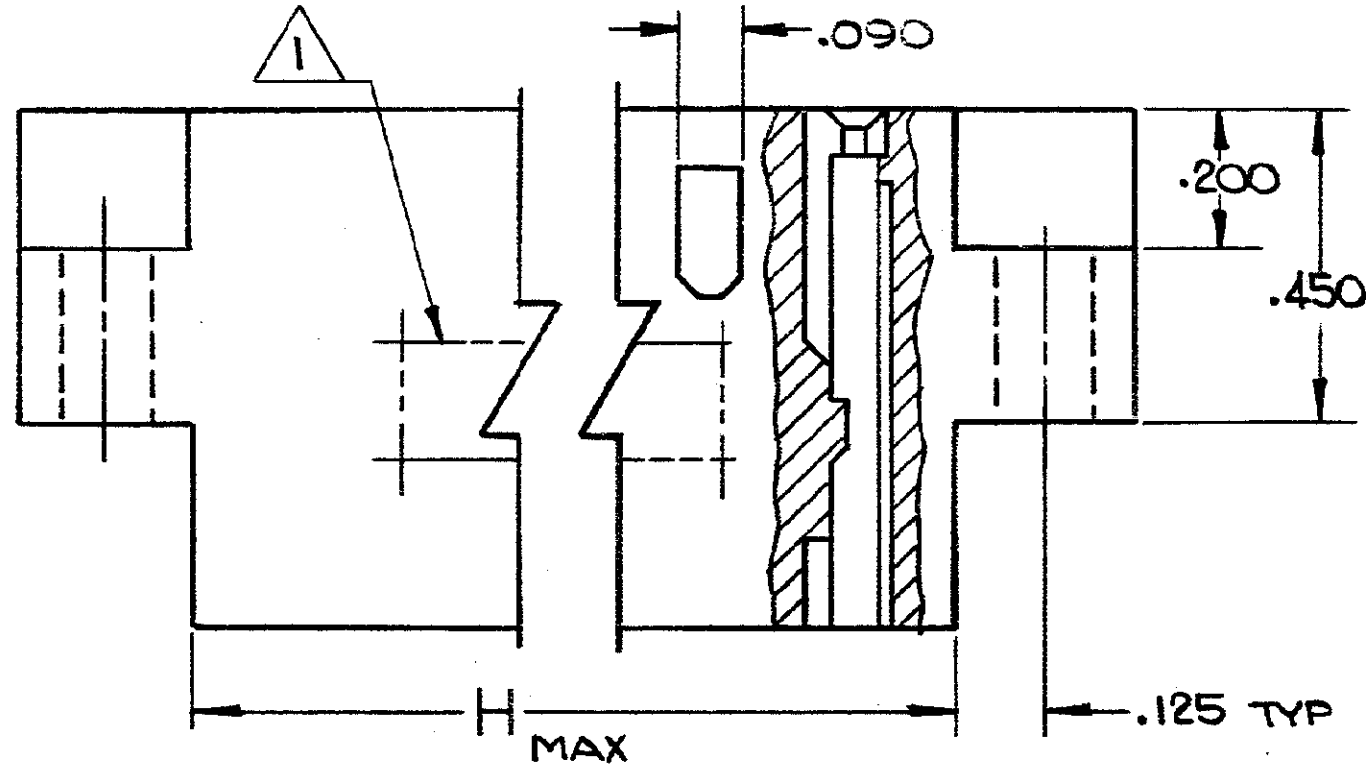
LOC DF DIST HO

REVISIONS						
P	F	ZONE	LTR	DESCRIPTION	DATE	APPROVED
			O1	REVISED	6180 MS	8-379
			O2	REVISED	7336 DE	4-81
			P	085-7-8,9,10,11; RECD DF 09 09	2P	1/88 J W

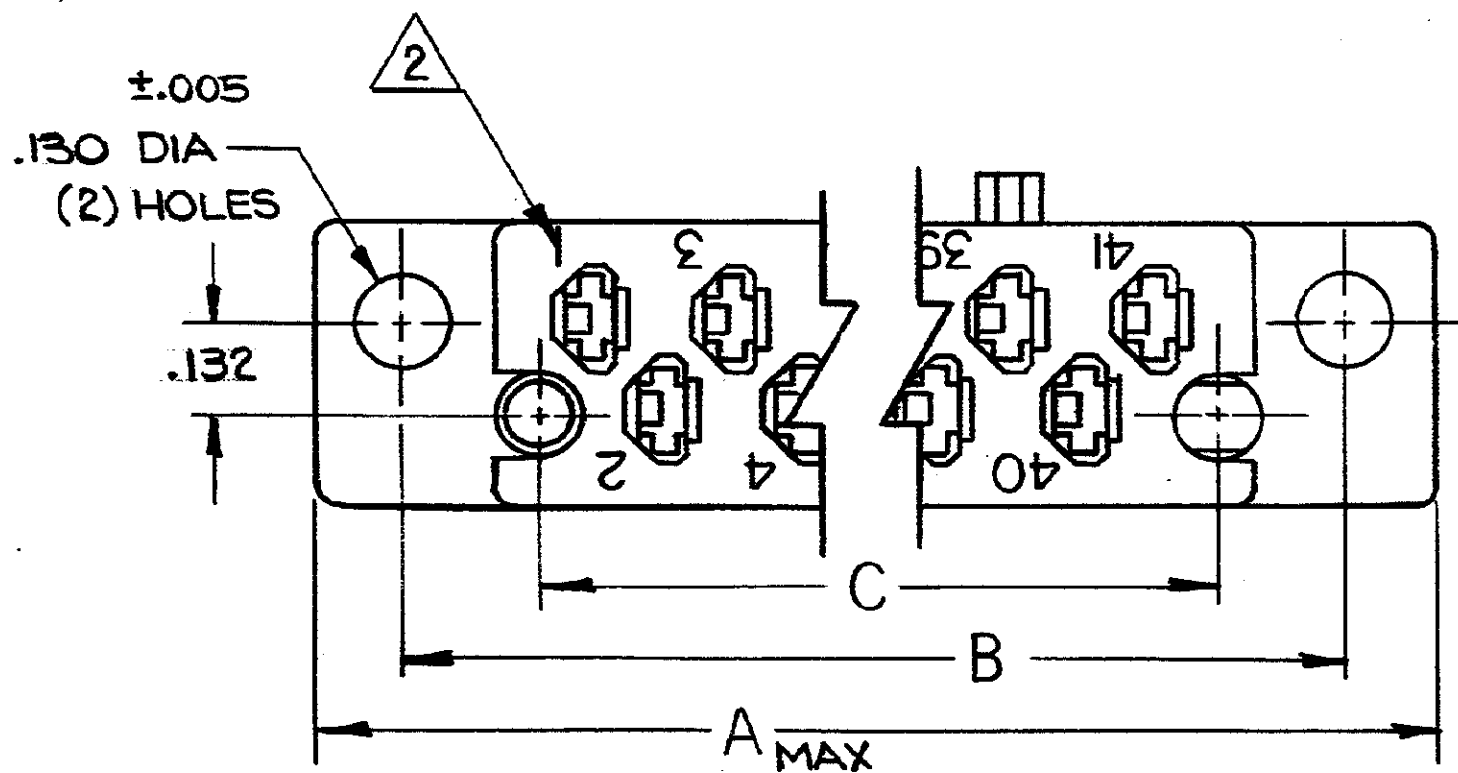
D



C



B



A

UNLESS OTHERWISE SPECIFIED DIMENSIONS ARE IN INCHES. TOLERANCES ON: DECIMALS $\pm .015$ ANGLES ± 10		CONTRACT NO DR IRSHAFFLER 5-3-79 CHK <i>E. Parsons</i> 5-14-79 APPD <i>E. Parsons</i> 5-14-79 APPD <i>R. Shawman</i> 5-15-79 DSGN APPD OTHER APPD	AMP AMP INCORPORATED Harrisburg, Pa. NAME AMP BLADE RECEPTACLE HOUSING, .100 CENTERS		PART NO
MATERIAL GLASS-FILLED POLYESTER COLOR: GREEN	FINISH —	SIZE C	CODE 00779	IDENT NO 531590	DRAWING NO 531590
SCALE 4-1			SHEET 1 OF 2		

AMP 1471-6 REV 12-78

CUSTOMER DRAWING

531590

DRAWING MADE IN THIRD ANGLE PROJECTION

3

2

1

LOC DF HO

© COPYRIGHT 1979 BY AMP INCORPORATED, HARRISBURG, PA. ALL INTERNATIONAL RIGHTS RESERVED. AMP INCORPORATED PRODUCTS COVERED BY U. S. AND FOREIGN PATENTS AND/OR PATENTS PENDING.

REVISIONS					
P	F	ZONE	LTR	DESCRIPTION	DATE APPROVED
02	✓		02		
✓	✓	P		OBS 7, 8, 9, 10, 11, 12 ECADDF 0944	21 11 80 JW

- ① 'AMP', PART NO. & DATE CODE INK STAMPED WHITE THIS AREA.
- ② .0G2 (REF) NUMERALS MOLDED ON BOTH FACES OF HOUSING.
- ③ POLARIZING LUGS TO BE LOCATED AS SHOWN ON ALL ODD NUMBERED POSITIONS PER CHART BELOW.
- ④ OBS PART NO.

ALL ODD NO'S.	46	5.130	4.600	5.143	.399	.525	4.764	5.363	5.623	47	▲	1-531590-2
	40	4.297	4.000	4.310	.283	.408	4.164	4.530	4.790	41	▲	-1
	34	3.697	3.400	3.710			3.564	3.930	4.190	35	▲	-0
	28	3.097	2.800	3.110			2.964	3.330	3.590	29	▲	-9
	22	2.497	2.200	2.510			2.364	2.730	2.990	23	▲	-8
ALL ODD NO'S.	16	1.897	1.600	1.910	.283	.408	1.764	2.130	2.390	17	▲	-7
NONE	46	5.130	4.600	5.143	.399	.525	4.764	5.363	5.623	47		-6
	40	4.297	4.000	4.310	.283	.408	4.164	4.530	4.790	41		-5
	34	3.697	3.400	3.710			3.564	3.930	4.190	35		-4
	28	3.097	2.800	3.110			2.964	3.330	3.590	29		-3
	22	2.497	2.200	2.510			2.364	2.730	2.990	23		-2
NONE	16	1.897	1.600	1.910	.283	.408	1.764	2.130	2.390	17		531590-1
POLARIZING LUG LOCATION	J	H	G	F	E	D	C	B	A	NO OF POSITIONS		PART NO

UNLESS OTHERWISE SPECIFIED DIMENSIONS ARE IN INCHES. TOLERANCES ON: DECIMALS ±.015 ANGLES ± 1°	CONTRACT NO 5-3-79		AMP AMP INCORPORATED Harrisburg, Pa.
	DR IRS HAFFLER	5-3-79	
	CHK E. Parsons	5-14-79	
	APPD E. Parsons	5-14-79	
MATERIAL	APPD R. Shawman	5-15-79	NAME AMP BLADE RECEPTACLE HOUSING .100 CENTERS
FINISH	DSGN APPD		SIZE CODE IDENT NO DRAWING NO C 00779 531590
	OTHER APPD		SCALE SHEET 2 OF 2

531590