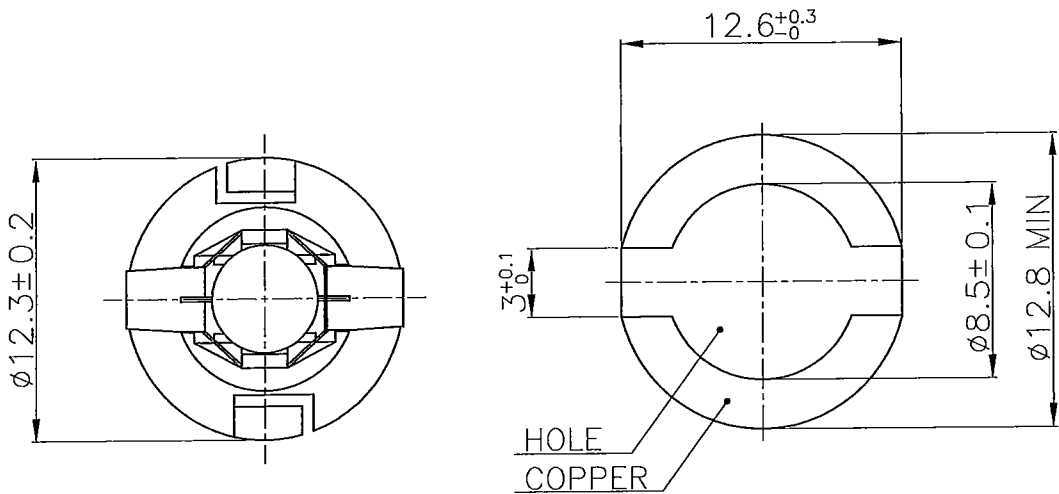
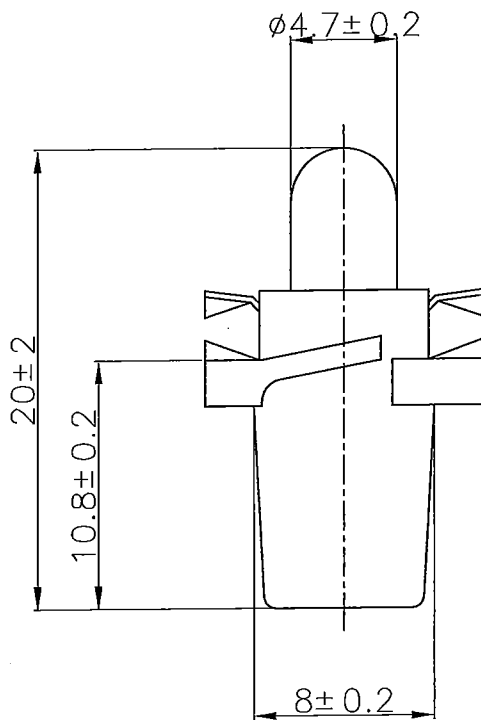


D.W.G.	805973	REV.	REVISIONS			
			LET	DESCRIPTION	BY	DATE




PCB Thickness 1.45~1.65mm



P/No. OL-5017PBB
 DESIGN VOLT 28V
 DESIGN AMP 40mA ± 10%
 Light Output 0.3MSCP ± 25%
 FILAMENT SHAPE C-2F
 BASE COLOR WHITE



SCALE	UNIT	MATERIAL			
3/1	m.m				
TITLE		DATE			
T-1 1/2 PBB LAMP		120328	 Oshino Lamps Limited SHINAGAWA, TOKYO, JAPAN		
DRAWN	CHECKED	APPROVED	D.W.G. NO.		REV.
T.H	T.Y	<i>TAKA</i>	805973		