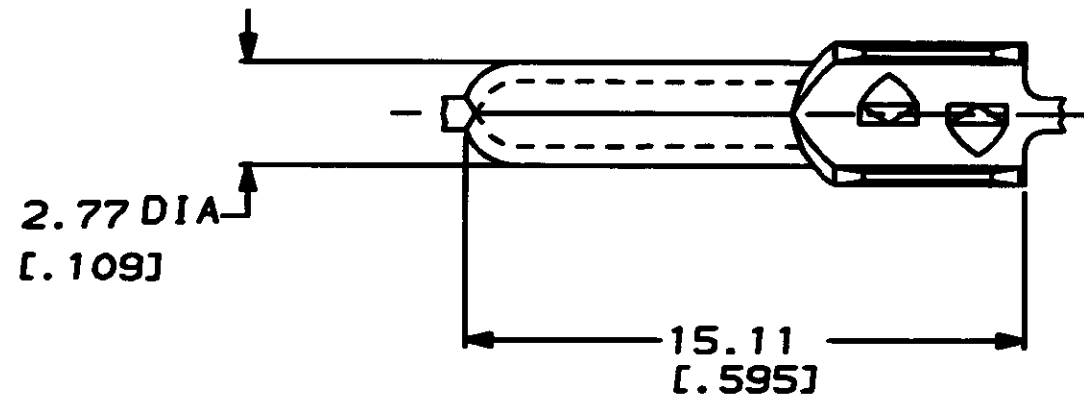
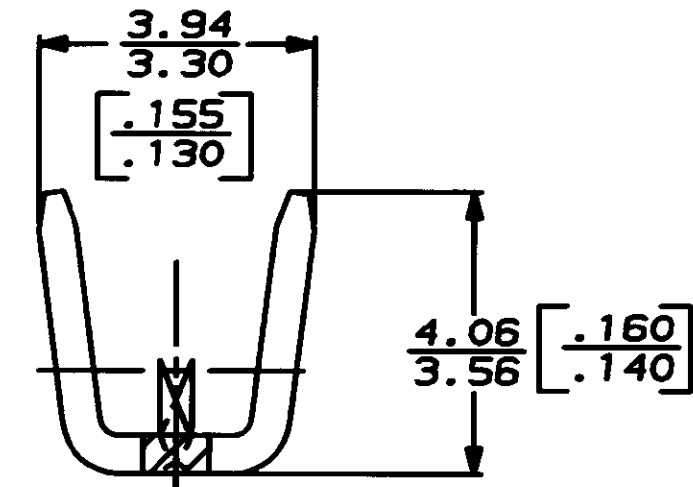
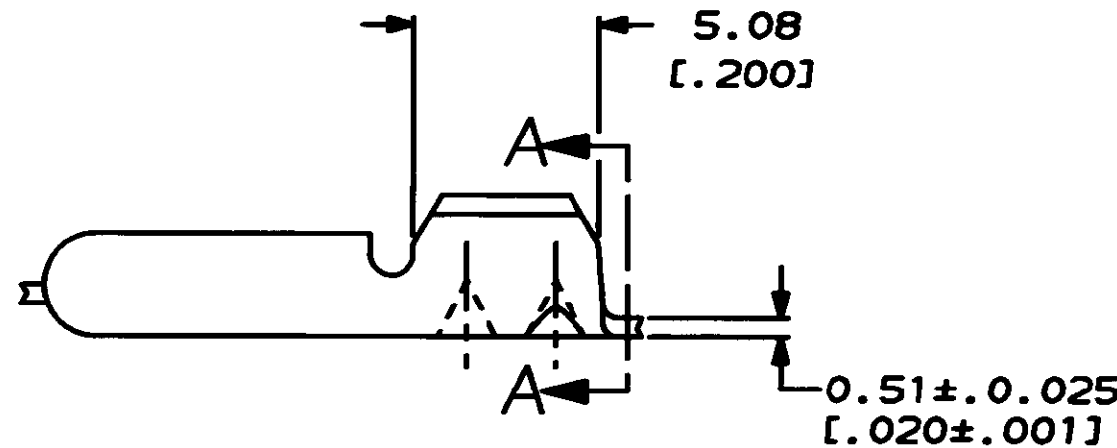


THIS DRAWING IS UNPUBLISHED. RELEASED FOR PUBLICATION ,19 .  
 © COPYRIGHT 19 BY AMP INCORPORATED. ALL INTERNATIONAL RIGHTS RESERVED.

LOC	DIST	P	F	ZONE	LTR	DESCRIPTION	DATE	APPD
AF	50				E	REV PER AF-8235	12/23/92	PF/GY



- 1 CONTINUOUS STRIP ON REEL
- 2 CRIMPING INFO: 3.56 [.140] F TYPE CRIMP
- 3 TO BE REELED WITH PAPER.



SECTION A-A  
SCALE 10:1

**METRIC**

2.16 [.085] THK	2.16 [.085] X 0.89 [.035] SPECIAL FLAT WIRE	61674-1
INSULATION RANGE	WIRE RANGE	PART NO
DO NOT SCALE PRINT. UNLESS SPECIFIED DIMENSIONS IN mm (INCHES) TOLERANCES ON: 2 PLC DEC * - 3 PLC DEC * 0.38 (.015) ANGLES * -	DR 12/11/88 P FORREY CHK 12/13/88 JR RUTH APPD 12/13/88 G YETTER APPD 12/13/88 R KIDD PRODUCT SPEC - APPLICATION SPEC - WEIGHT -	AMP INCORPORATED Harrisburg, Pa. 17105 NAME PIN, INSULATION PIERCING, 2.99 [.109] DIA SIZE <b>B</b> CASE CODE 00779 DRAWING NO 61674 SCALE 5:1 SHEET 1 OF 1
MATERIAL #2 HARD BRASS	FINISH	