

THIS DRAWING IS UNPUBLISHED. RELEASED FOR PUBLICATION
 © COPYRIGHT - BY TYCO ELECTRONICS CORPORATION. ALL RIGHTS RESERVED.

LOC	DIST	REVISIONS					
GP	00	P	LTR	DESCRIPTION	DATE	DWN	APVD
			B	REV PER ECO-06-013947	30JUN06	TK	SF

- 7. CONTACTS PURCHASED SEPARATELY.
- 6. ELCON EQUIVALENT SERIES 298-10-01100.
- 5. ITEMS PROVIDED TO THIS SPECIFICATION TO BE PERMANENTLY IDENTIFIED PER THE FOLLOWING IDENTIFIER:



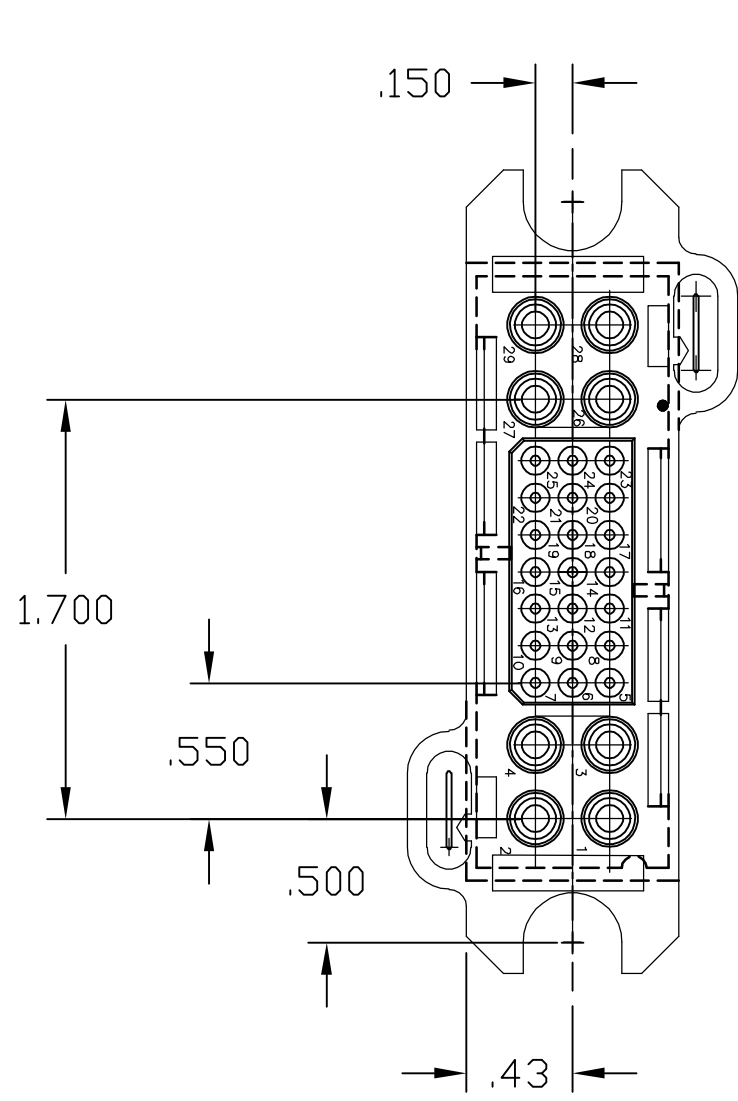
- 4. A REFERENCE DIMENSION (X.XX) IS WITHOUT TOLERANCE AND USED FOR INFORMATION ONLY.
- 3. FINISHES:
RETENTION CLIPS: BRITE DIP PICKLED PER INDUSTRY STANDARDS.
- 2. MATERIALS:
INSULATORS: THERMOPLASTIC, GLASS REINFORCED, UL94V-0 FLAMMABILITY RATED, COLOR-BLACK.
RETENTION CLIPS: COPPER OR STAINLESS STEEL.
- 1. PART NUMBER CHANGES AND OR DESIGN CHANGES AFFECTING ITEM INTERCHANGEABILITY REQUIRE PRIOR TYCO APPROVAL AND AUTHORIZATION BY REVISION TO THIS DRAWING.

NOTES: UNLESS OTHERWISE SPECIFIED

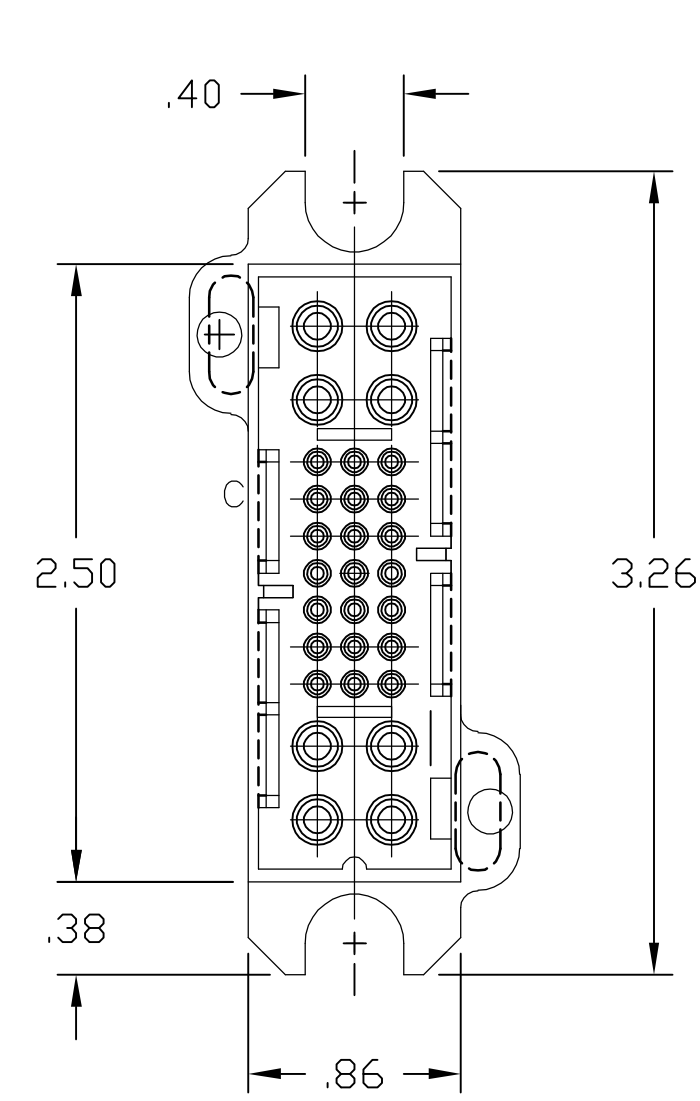
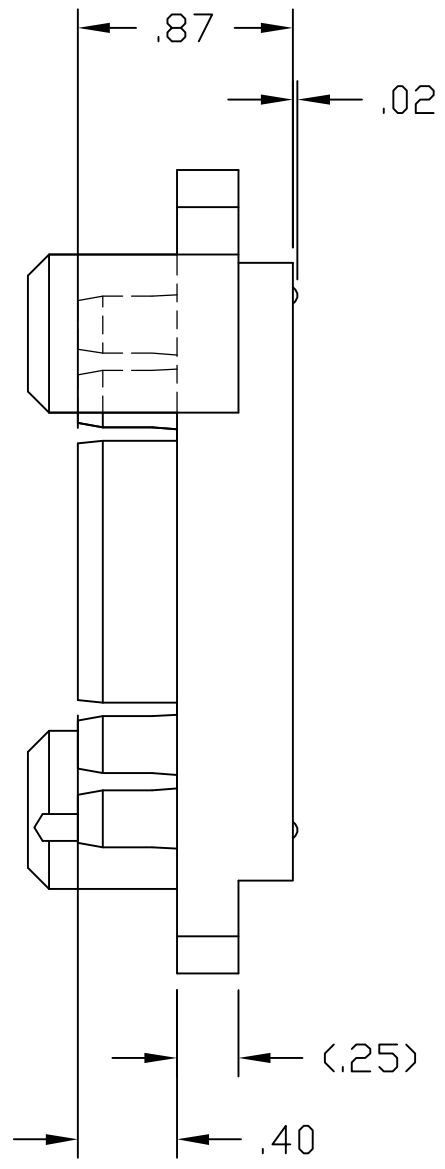
THIS DRAWING IS A CONTROLLED DOCUMENT.		DWN	R.F.A.	3/2/06	Tyco Electronics Corporation Harrisburg, PA 17105-3608		
DIMENSIONS: INCHES		CHK	S.FLICKINGER	3/3/06			
		APVD	S.FLICKINGER	3/3/06	NAME		
TOLERANCES UNLESS OTHERWISE SPECIFIED:		PRODUCT SPEC			CONNECTOR, SOCKET		
0 PLC ± -		APPLICATION SPEC			SIZE #16,20,12 CONFIG.		
1 PLC ± -		WEIGHT			LOWER DRAWER		
2 PLC ± .02[3]		SIZE	A3	CAGE CODE	00779	DRAWING NO	C-1648208
3 PLC ± .010[.25]		RESTRICTED TO			-		
4 PLC ± -		CUSTOMER DRAWING					
ANGLES ± 5°		SCALE		1;1		SHEET 1 OF 2	
MATERIAL -		FINISH -		REV		B	

THIS DRAWING IS UNPUBLISHED. RELEASED FOR PUBLICATION
 © COPYRIGHT BY TYCO ELECTRONICS CORPORATION. ALL RIGHTS RESERVED.

LOC	DIST	REVISIONS			
P	LTR	DESCRIPTION	DATE	DWN	APVD
GP	00	—	—	—	—
		SEE SHEET 1			



FRONT VIEW



REAR VIEW

THIS DRAWING IS A CONTROLLED DOCUMENT.		DWN R.F.A. 3/2/06	Tyco Electronics Corporation Harrisburg, PA 17105-3608			
DIMENSIONS: INCHES		CHK S.FLICKINGER 3/3/06				
TOLERANCES UNLESS OTHERWISE SPECIFIED:		APVD S.FLICKINGER 3/3/06	NAME			
0 PLC ± - 1 PLC ± - 2 PLC ± .02[3] 3 PLC ± .010[.25] 4 PLC ± - ANGLES ± 5°		PRODUCT SPEC	CONNECTOR, SOCKET SIZE #16,20,12 CONFIG. LOWER DRAWER			
MATERIAL		APPLICATION SPEC	SIZE	CAGE CODE	DRAWING NO	RESTRICTED TO
FINISH		WEIGHT	A3	00779	C-1648208	—
CUSTOMER DRAWING			SCALE 1:1	SHEET 2 OF 2	REV B	