

THIS DRAWING IS UNPUBLISHED.

RELEASED FOR PUBLICATION

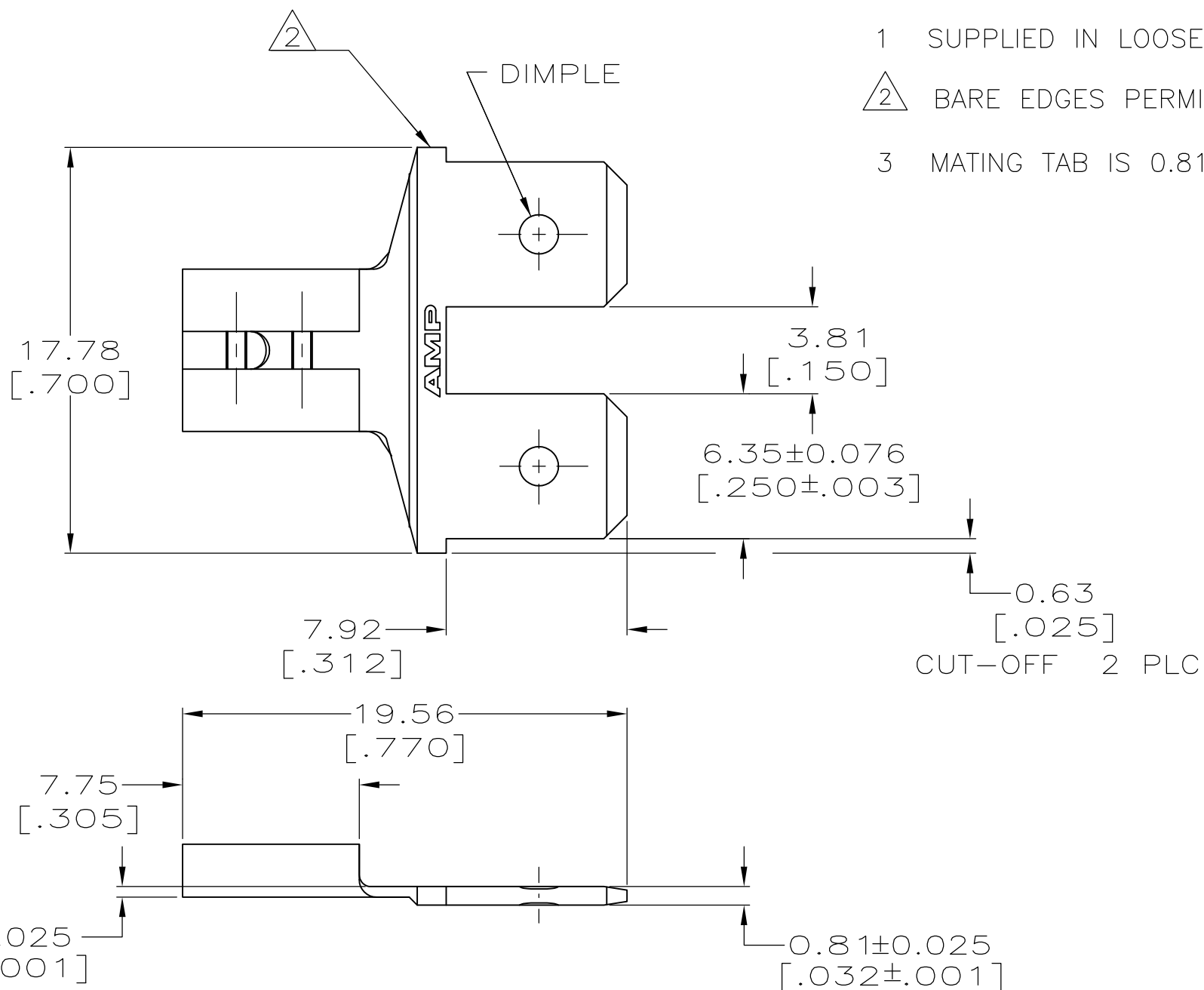
© COPYRIGHT - By -

ALL RIGHTS RESERVED.

LOC AF DIST 50


REVISIONS

P	LTR	DESCRIPTION	DATE	DWN	APVD
D		REVISED PER ECR-12-013518	23NOV2012	KH	PD



- 1 SUPPLIED IN LOOSE PIECE.
- △ 2 BARE EDGES PERMITTED
- 3 MATING TAB IS 0.81±0.025 [.032±.001] THK.

1217344-1
PART NO.

THIS DRAWING IS A CONTROLLED DOCUMENT.		DWN JR RUTH 21FEB00	 TE Connectivity ADAPTER, RECEPTACLE & TAB, FASTON, 6.35 [.250] SERIES					
DIMENSIONS: mm [INCHES]		CHK MS FEHER 21FEB00						
TOLERANCES UNLESS OTHERWISE SPECIFIED:		APVD P DESANTIS 21FEB00						
0 PLC ± - 1 PLC ± - 2 PLC ± 0.25 [.010] 3 PLC ± - 4 PLC ± - ANGLES ± -		NAME						
MATERIAL BRASS		FINISH TIN	PRODUCT SPEC -	APPLICATION SPEC -	SIZE A3	CAGE CODE 00779	DRAWING NO C-1217344	RESTRICTED TO -
CUSTOMER DRAWING			WEIGHT -	SCALE 4:1		SHEET 1 OF 1	REV D	