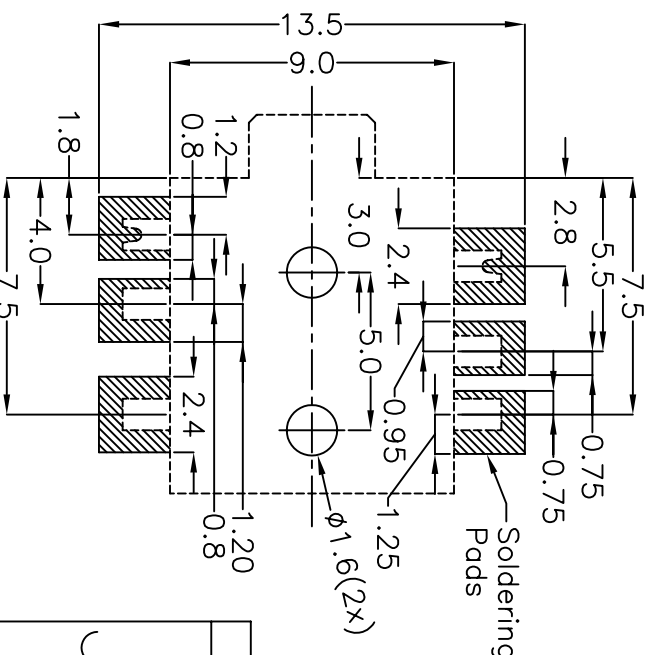
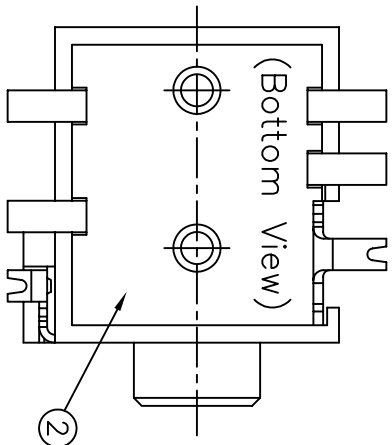
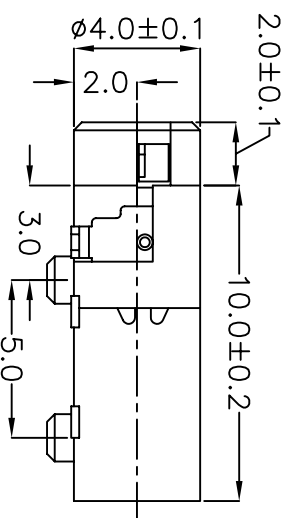
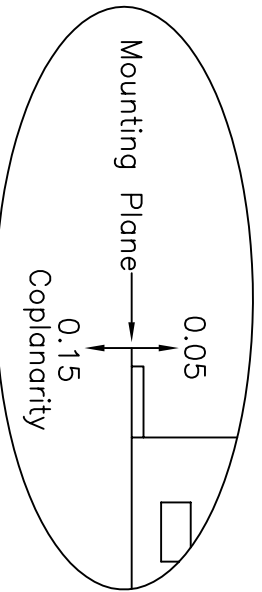
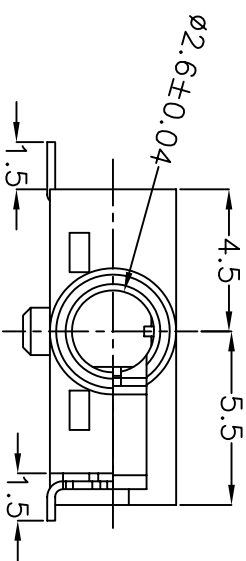
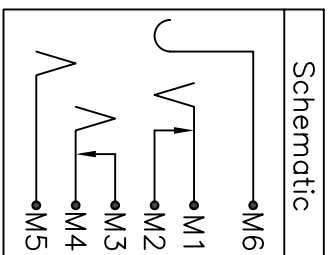


**Specifications**  
 Rated Voltage: 16VDC  
 Rated Current: 300mA  
 Contact Resistance: 100 mOHMS or less under all conditions including after life testing.  
 Insulation Resistance: 100 M OHMS or greater at 500VDC  
 Voltage: 250V AC RMS for 1 Minute  
 Life: 5,000 cycles min.



8	Ground <M6>	PBS		Gold Flash 30T
7	Signal <M5>	PBS		Gold Flash 30T
6	Tip Contact <M4>	Ti-Cu Alloy		Gold Flash 20T
5	Shunt (Tip) <M3>	Brass		Gold Flash 30T
4	Shunt (Ring) <M2>	Brass		Gold Flash 30T
3	Ring Contact <M1>	Ti-Cu Alloy		Gold Flash 20T
2	Cover	PY6T	Black	UL94V-0 Rated
1	Plastic Housing <P1>	Polyamide	Black	UL94V-0 Rated
lm	Term	Material	Color	Plating Remark



9615 SW Allen, Suite 103  
 Beaverton, OR 97005  
 Phone: (503) 643-4899  
 (800)-275-4899  
 Fax: (503) 372-1266  
 Website: www.cui.com



TITLE: SMT Audio Jack w/4 Conductors 2.5mm

PART NO. SJ-42516-SMT UNITS: Millimeters

DRAWN BY: Todd R. White APPROVED BY: SCALE: 4x