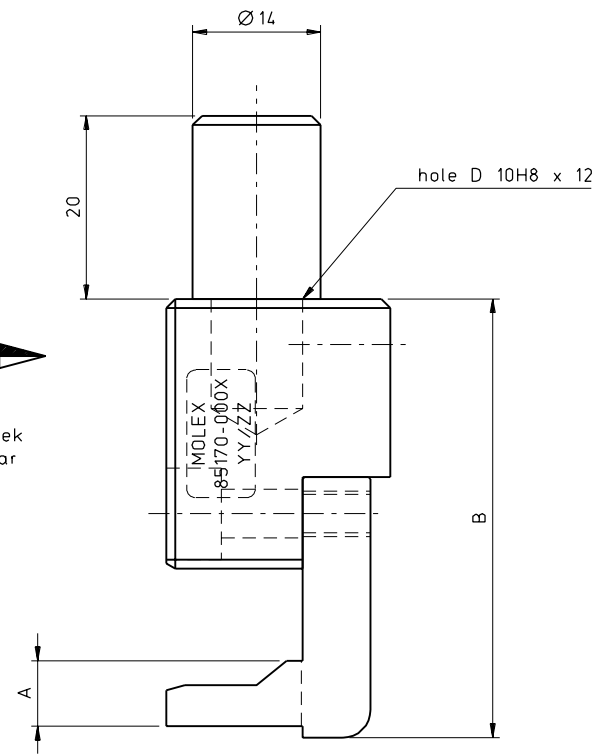
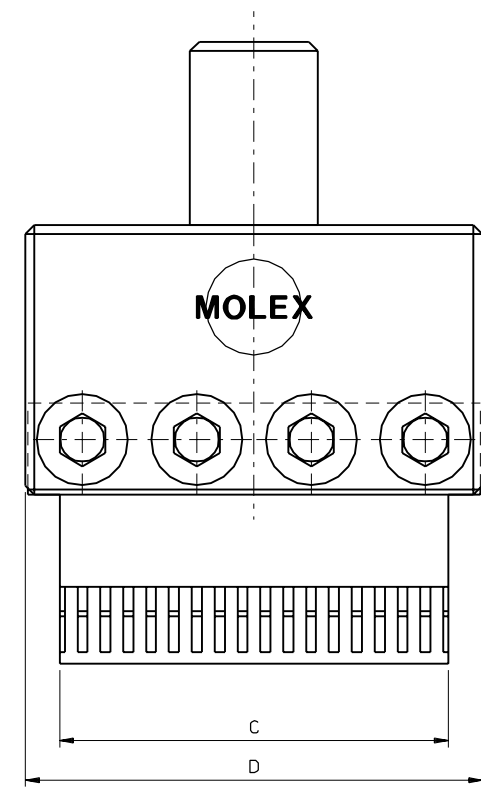


PART NO.
DWG. NO.

YY = week
ZZ = year



View Z



Mat. Nr.	Description	A	B	C	D
85170-0001	Press tool Vertical female 4SU/22	10.7	71.45	92.5	100
85170-0002	Press tool Vertical female 4SU/18.5	7.2	67.95	92.5	100
85170-0003	Press tool Vertical female 2SU/22	10.7	51.45	42.5	50
85170-0004	Press tool Vertical female 2SU/18.5	7.2	47.95	42.5	50
85170-0005	Press tool Vertical female 1SU/22	10.7	51.45	17.5	25
85170-0006	Press tool Vertical female 1SU/18.5	7.2	47.95	17.5	25

EC NO. 2502
DRWN: T. Betz 4 / 6 2/97
CHK: / / /
APPR: / / /
A

DESCRIPTION
MAJOR
CRITICAL
C

QUALITY SYMBOLS
GENERAL TOLERANCES: (UNLESS SPECIFIED)
4 PLACES ±0. mm ±. INCH
3 PLACES ±0. mm ±. INCH
2 PLACES ±0. mm ±. INCH
1 PLACE ±0. mm ±. INCH
ANGULAR: ± 1/2 °
DRAFT WHERE APPLICABLE MUST REMAIN WITHIN DIMENSIONS

SCALE 2:1
DESIGN UNITS mm INCH
DRAWN BY & DATE T.B. 4 / 10 / 95
CHECKED BY & DATE / /
APPROVED BY & DATE / /
CAD FILENAME 85170001.S01

DIMENSIONS: mm INCH mm ONLY
THIRD ANGLE PROJECTION
TITLE: Omnigridd Press Tool Vertical Female
MOLEX INCORPORATED
MATERIAL NO. see chart SD
DRAWING NO. -85170-001
SHEET NO. 10F 1
THIS DRAWING CONTAINS INFORMATION THAT IS PROPRIETARY TO MOLEX INCORPORATED AND SHOULD NOT BE USED WITHOUT WRITTEN PERMISSION.
SIZE B