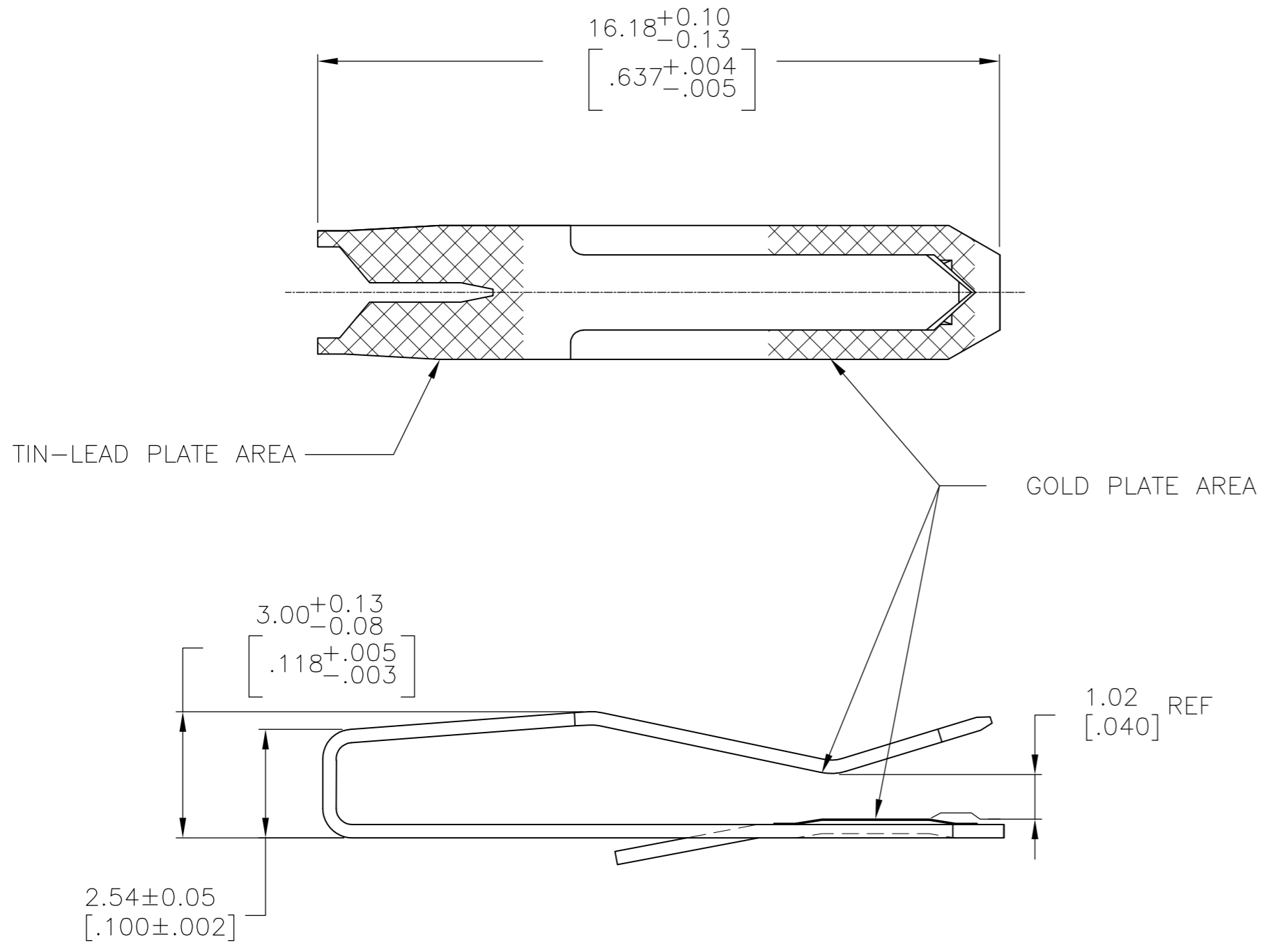


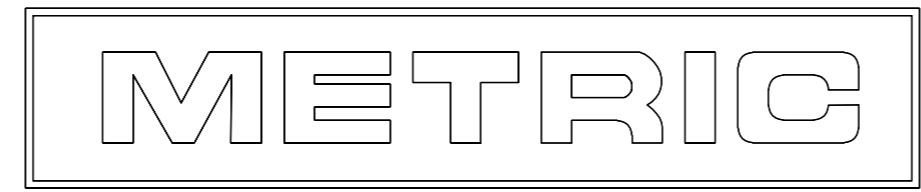
THIS DRAWING IS UNPUBLISHED. RELEASED FOR PUBLICATION  
 © COPYRIGHT BY TYCO ELECTRONICS CORPORATION. ALL RIGHTS RESERVED.

LOC	DIST	REVISIONS					
		P	LTR	DESCRIPTION	DATE	DWN	APVD
CM	00		C	ECO-08-001888	28JAN08	KW	DB
			C1	REVISED PER ECO-09-023313	13OCT09	KK	AEG



1. DIMENSIONS IN BRACKETS ARE IN INCHES.
2. 0.00038 [.000015] MIN THICK GOLD IN THE GOLD PLATE AREA OVER 0.00127 [.000050] MIN THICK NICKEL.
3. 0.00076 [.000030] MIN THICK GOLD IN THE GOLD PLATE AREA OVER 0.00127 [.000050] MIN THICK NICKEL.
4. 0.00203 [.000080] MIN THICK TIN-LEAD IN THE TIN-LEAD PLATE AREA OVER 0.00127 [.000050] MIN THICK NICKEL.
5. MATTE TIN 0.00203(.000080) MIN THICK IN TIN PLATED AREA.
6. OBSOLETE PARTS: OBSOLETE CIS STREAMLINING PER D.RENAUD/D.SINISI

SUPERSEDED	3 5	641145-4
	2 5	641145-3
	3 4	641145-2
	2 4	641145-1
	FINISH	PART NO



THIS DRAWING IS A CONTROLLED DOCUMENT.		DWN	25OCT2005	Tyco Electronics Corporation Harrisburg, PA 17105-3608	
DIMENSIONS: mm [INCHES]		CHK	25OCT2005	NAME	
TOLERANCES UNLESS OTHERWISE SPECIFIED:		APVD	25OCT2005	CONTACT, GOLD STRIPE, 22 AWG WIRE, LOOSE PIECE, MTA 156	
0 PLC	± -	PRODUCT SPEC		SIZE	CAGE CODE
1 PLC	± -	APPLICATION SPEC		A2	00779
2 PLC	± -			DRAWING NO	C=641145
3 PLC	± 0.13[.500]			RESTRICTED TO	
4 PLC	± -				
ANGLES	± -	WEIGHT	-	SCALE	8:1
MATERIAL	0.30[.012] THK COPPER ALLOY	FINISH	SEE TABLE	SHEET	1 OF 1
		CUSTOMER DRAWING		REV	C1