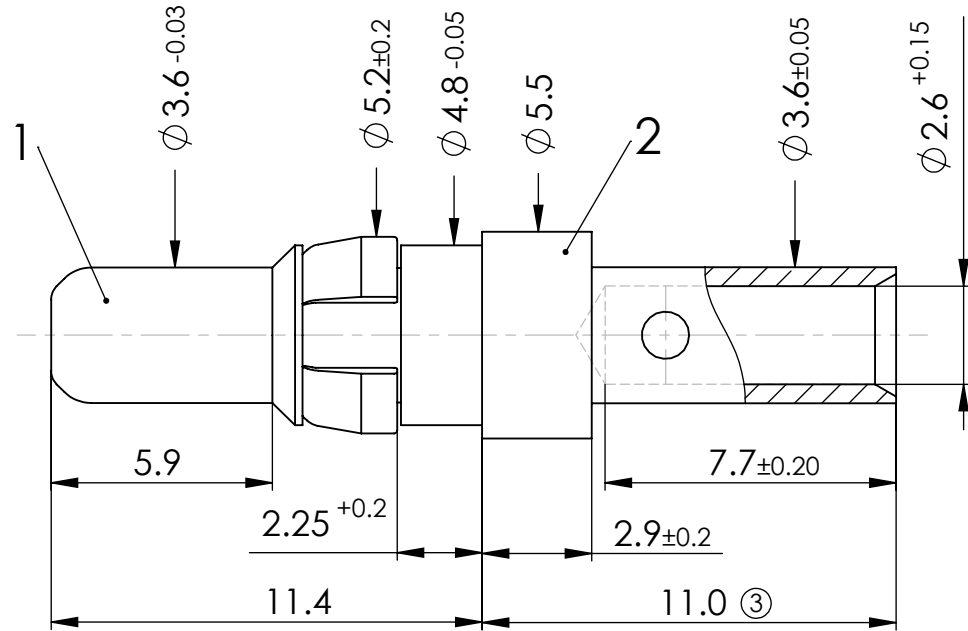
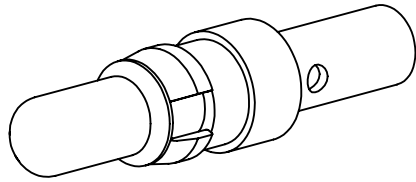


COMMENT:  
 ALL RIGHTS ARE RESERVED BY US FOR THIS DRAWING. WITHOUT OUR PRIOR CONSENT,  
 IT MAY NEITHER BE DUPLICATED NOR MADE AVAILABLE TO A THIRD PARTY,  
 AND IT ALSO MAY NOT BE IMPROPERLY USED BY THE RECEIVER, OR A THIRD PARTY.



Text No. W-4

**FCT tools:**

Hand tool: M309

Pneumatic crimp tool: WA27-309

Die: SP994

Selector Number:

AWG 12 / SEL. 5

AWG 14 / SEL. 4

CURRENT		20 A		HIGH POWER CONTACT		SCALE		DATA SHEET		
FOR		D-Sub				5:1				
DIMENSIONS IN MM				DRAWN		NAME / DATE				
MATERIAL + FINISH SEE EXTRA SHEET				CHECKED		Steinbrück 14-05-2003				
UNLESS OTHERWISE SPECIFIED DIMENSIONS FOR REFERENCE ONLY						ffuhrmann 15-12-2006				
3		12-04-2007		11507				PART NO.		REV.
REV.		DATE		INDEX				FMP003P		3
ORIGINAL: DIN A4-DRAWING AS A FILE						REPLACEMENT FOR:		PAGE: 1/1		