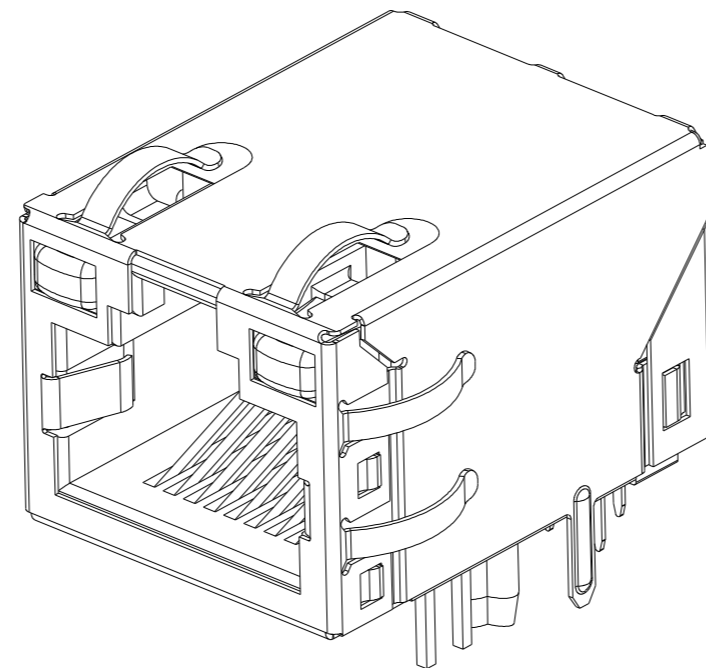
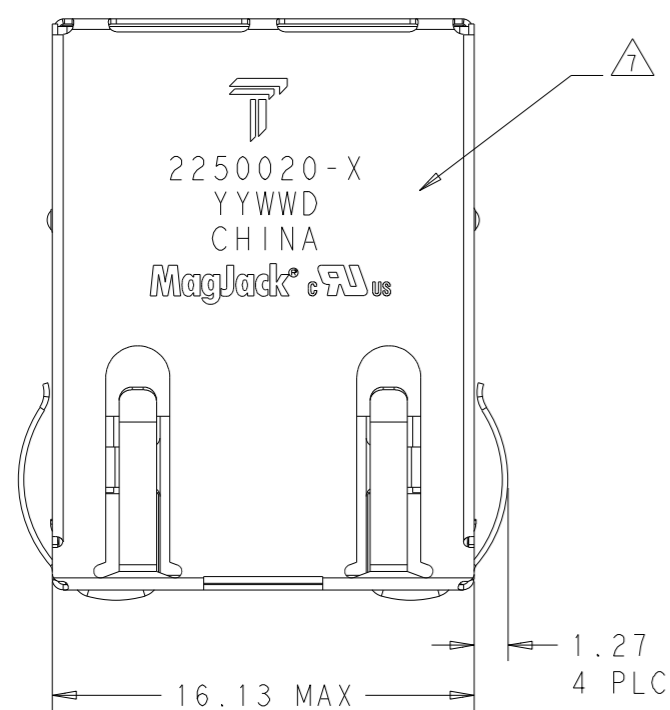


THIS DRAWING AND THE SUBJECT MATTER SHOWN THEREON ARE CONFIDENTIAL AND THE PROPERTY OF BEL/STEWART/TRP CONNECTOR AND SHALL NOT BE REPRODUCED, COPIED, OR USED IN ANY MANNER WITHOUT THE WRITTEN CONSENT OF TRP CONNECTOR.

PRODUCT MAY BE PROTECTED BY ONE OR MORE OF THE FOLLOWING US PATENTS:
 5736910 5939955 6425781 6428361 6554638 6840817 7123117
 7429195 7717749 7808751 6217391 6149050 7924130

REVISIONS				
#	LT#	DESCRIPTION	DATE	APPV
3		SEE FINAL SHEET	09FEB2015	DP TY



1. MATERIALS

- HOUSING: THERMOPLASTIC, FLAMMABILITY RATING UL 94V-0.
- SHIELD: BRASS 0.20mm THICK, PREPLATED WITH 0.76um MIN SEMI-BRIGHT NICKEL. SOLDER TABS POST DIPPED WITH 2.54um MIN SAC SOLDER.
- CONTACTS: PHOSPHOR BRONZE 0.46mm X 0.30mm, PHOSPHOR BRONZE, 1.27um MIN NICKEL UNDERPLATE, WITH 1.27um MIN GOLD PLATING AT MATING INTERFACE AND 2.54um MIN MATTE TIN ON SOLDER TAILS, OR 1.27um MIN NICKEL UNDERPLATE, WITH 0.05um GOLD PLATING OVER 0.76um MIN PALLADIUM NICKEL PLATING AT MATING INTERFACE AND 2.54um MIN MATTE TIN ON SOLDER TAILS.
- SOLDER TAILS: 0.25mm THICK, PHOSPHOR BRONZE, 1.27um MIN OVERALL NICKEL UNDERPLATE, 3um TIN PLATE
- LIGHT EMITTING DIODE (LED): DIFFUSED EPOXY LENS, 0.5mm X 0.5mm CARBON STEEL WIREFRAME LEADS PREPLATED WITH 2.03um MIN. SILVER PLATE OVER 1.02um MIN. NICKEL OVER 1.02um MIN. COPPER UNDERPLATE; LEADS POST-PLATED WITH 3.05um MIN. MATTE TIN AND/OR SAC SOLDER DIP OR PURE TIN SOLDER DIP

3 RJ45 JACK CAVITY CONFORMS TO FCC RULES AND REGULATIONS PART 68 SUB PART F.

2 MAGNETICS

- APPLICATION: 10/100/1000 BASE-T
- IMPEDANCE: 100 OHMS
- TURNS RATIO (CHIP:CABLE): 1:1 ALL FOUR PAIRS
- OPEN CIRCUIT INDUCTANCE (OCL): 350uH MIN. @100kHz, 0.1VRMS, 8mADC BIAS FROM 0°C TO +70°C, ALL FOUR PAIRS
- ALL FOUR PAIRS BI-DIRECTIONAL
- PERFORMANCE @ 25°C:
 - INSERTION LOSS (IL): 1.1dB MAX. FROM 0.5MHz TO 100MHz
 - RETURN LOSS (RL): 18dB MIN FROM 0.5MHz TO 40MHz
 - 12-20LOG(f/80)dB MIN. FROM 40.1MHz TO 100MHz
 - CROSSTALK ATTENUATION: 35dB MIN. FROM 0.5MHz TO 40MHz
 - 33-20LOG(f/50)dB MIN. FROM 40.1MHz TO 100MHz
 - COMMON MODE REJECTION RATIO (CMRR): 30dB MIN. FROM 0.5MHz TO 100MHz
- ISOLATION VOLTAGE: 2250VDC FOR 60 SECONDS WITH A RISE TIME OF 500 V/SEC

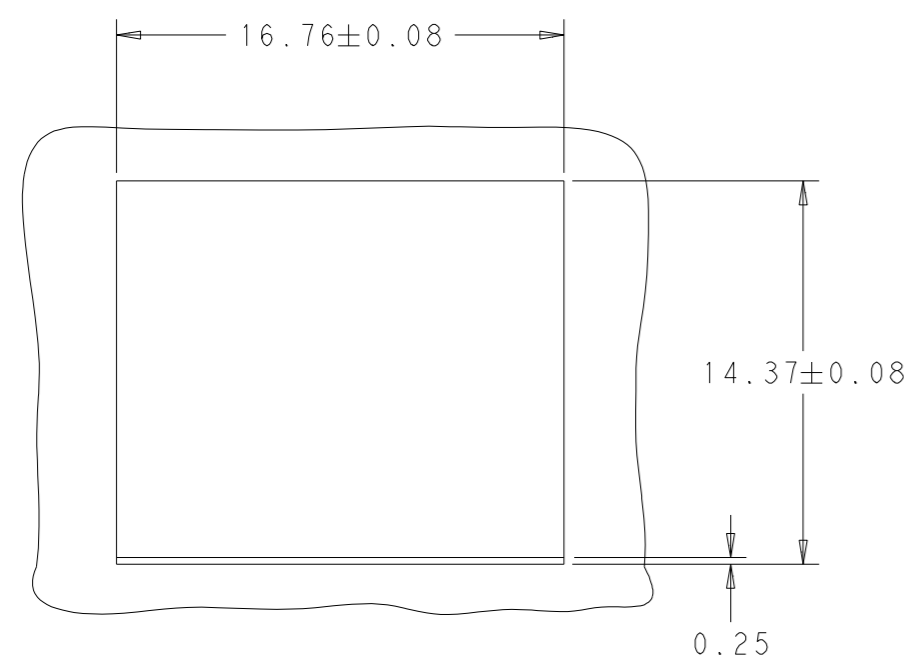
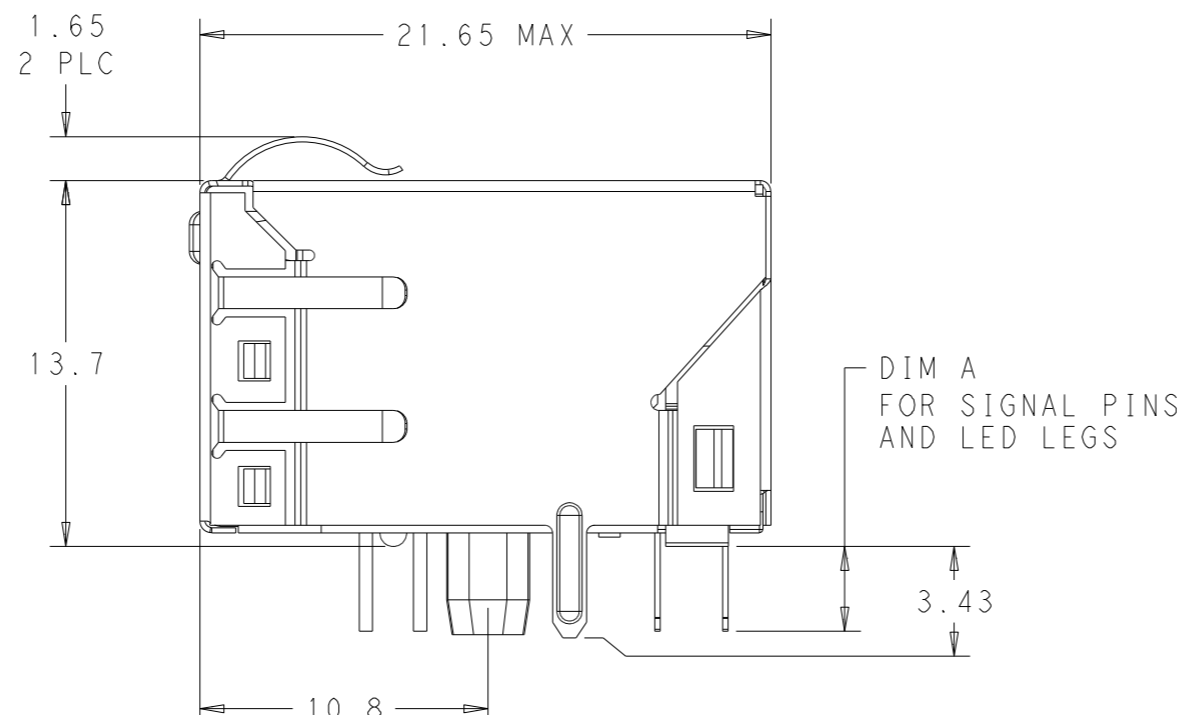
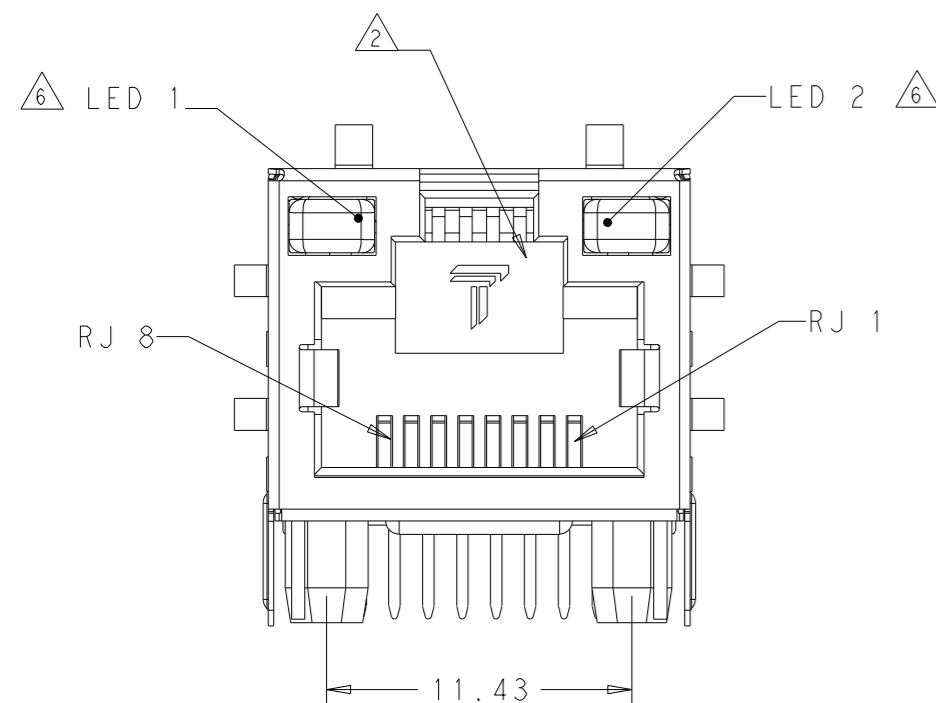
4. OPERATING TEMPERATURE: FROM 0°C TO +70°C.

5 INDICATED MAGNETIC CONNECTIONS ARE SYMMETRICAL TO SUPPORT AUTO-MDI/MDIX.

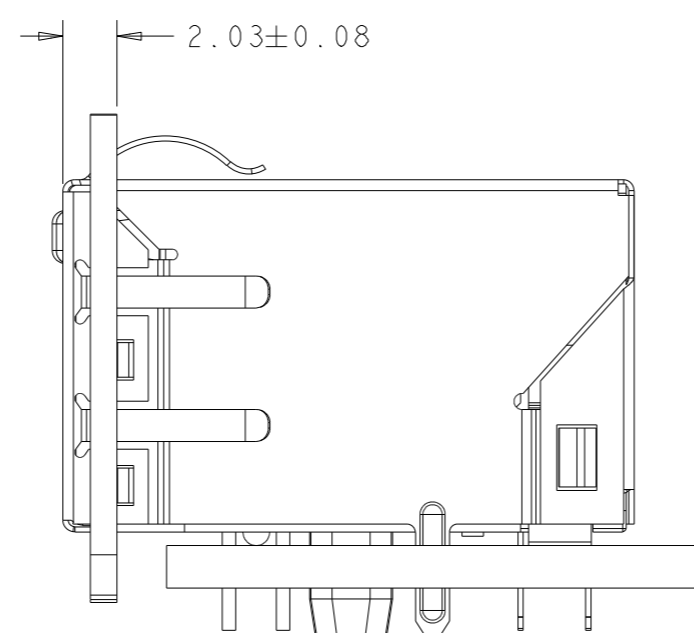
6 LEDS WITH 250 OHM RESISTORS, LEDS ARE DRIVEN WITH 5V VOLTAGE AND THE MAX OPERATING CURRENT IS 20mA
 LED COLOR: DOMINATE WAVELENGTH (λD): GREEN 568 nm TYP. @ VF=5V
 FORWARD CURRENT (IF): GREEN 12mA TYP @ VF = 5V
 DOMINATE WAVELENGTH (λD): YELLOW 588 nm TYP. @ VF=5V
 FORWARD CURRENT (IF): YELLOW 13mA TYP @ VF = 5V

7 TRP CONNECTOR LOGO, PART NUMBER, DATE CODE, COUNTRY OF ORIGIN AND AGENCY APPROVAL MARKING IN APPROXIMATE LOCATION SHOWN.

8. PART SHOULD BE RECOMMENDED FOR WAVE SOLDERING PROCESS, PREHEAT TEMPERATURE IS 120°C TO 160°C, 120 SECONDS TO 180 SECONDS, PEAK WAVE SOLDERING TEMPERATURE IS 260°C MAX, 10 SECONDS MAX.



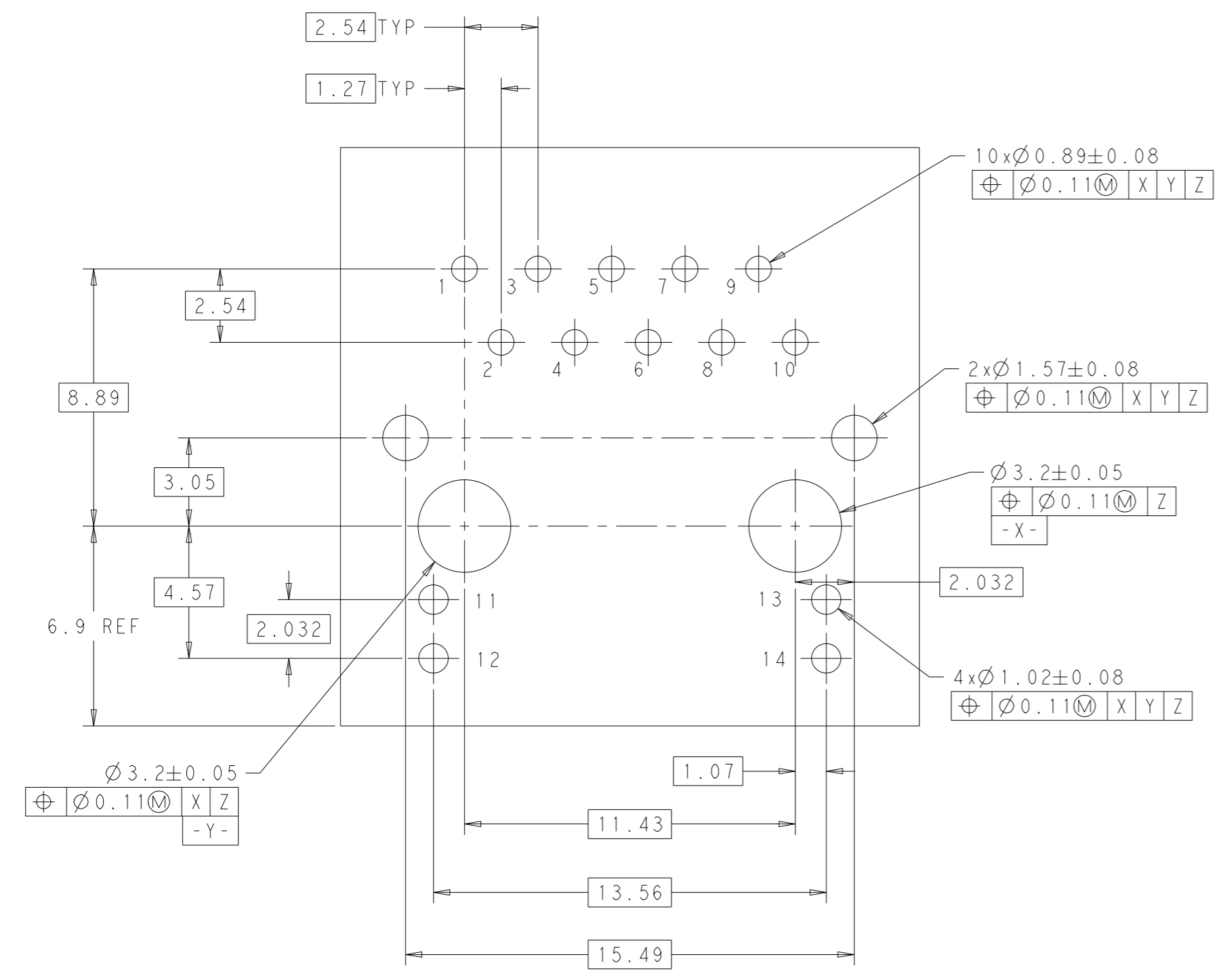
SUGGESTED CUT PANEL AND PCB



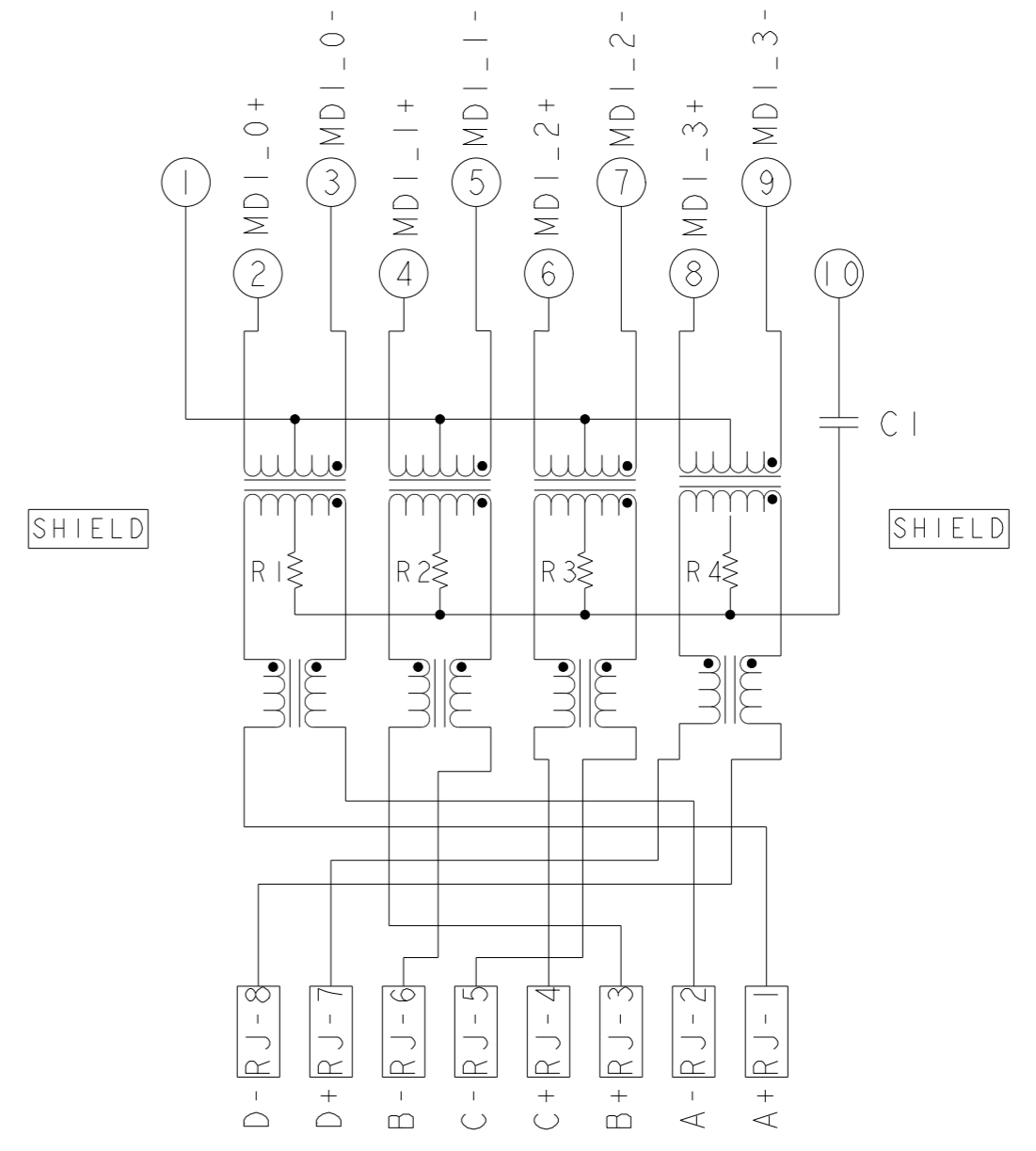
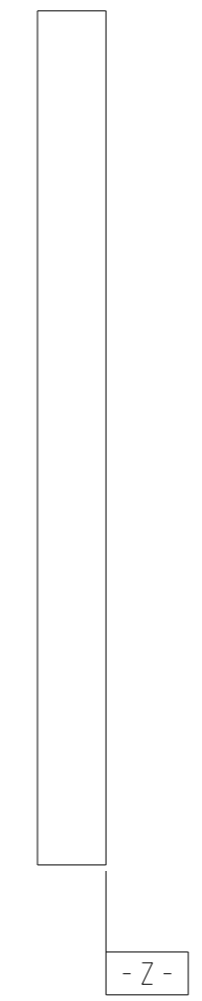
3.68	GREEN	GREEN	2250020-3
4.19	GREEN	GREEN	2250020-2
3.68	GREEN	YELLOW	2250020-1
DIM A	11 → 12	13 → 14	PART NUMBER
	LED 1	LED 2	

THIS DRAWING IS A CONTROLLED DOCUMENT.		DNW ROY LIU 20MAY2013	 TRP CONNECTOR a bel group DONGGUAN CHINA
DIMENSIONS: mm		CHK TOWER YU / FRANK LIU 20MAY2013	
TOLERANCES UNLESS OTHERWISE SPECIFIED:		APPV TONY YUAN 20MAY2013	
0 PLC ±0.25	1 PLC ±0.25	2 PLC ±0.25	MODEL NAME
3 PLC ±0.25	4 PLC ±	ANGLES ±	DESC
PRODUCT SPEC	APPLICATION SPEC		MAGJACK
			IXI 7G01PI GIGABIT, TAB UP, W/LED
			SINGLE NON-POE
			SIZE CAGE CODE DRAWING NO RESTRICTED TO
			A1 C=2250020
			CUSTOMER DRAWING SCALE 4:1 SHEET 1 OF 3 REV 3

7G01PI SERIES CIRCUIT



SUGGESTED CUSTOMER BOARD LAYOUT
 (COMPONENT SIDE)


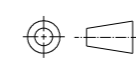


C1 = 1000pF, 2kV, CAPCITOR
 R1-R4 = 75 Ohms, 1/16W, RESISTORS

THIS DRAWING IS A CONTROLLED DOCUMENT.		OWN ROY LIU 20MAY2013	<p>trp CONNECTOR a bel group</p> <p>DONGGUAN CHINA</p>											
DIMENSIONS: mm		CHK TOWER YU / FRANK LIU 20MAY2013												
TOLERANCES UNLESS OTHERWISE SPECIFIED:		APP'D TONY YUAN 20MAY2013												
<table border="1"> <tr><td>0 PLC</td><td>±0.25</td></tr> <tr><td>1 PLC</td><td>±0.25</td></tr> <tr><td>2 PLC</td><td>±0.25</td></tr> <tr><td>3 PLC</td><td>±0.25</td></tr> <tr><td>4 PLC</td><td>±0.25</td></tr> <tr><td>ANGLES</td><td>±°</td></tr> </table>		0 PLC		±0.25	1 PLC	±0.25	2 PLC	±0.25	3 PLC	±0.25	4 PLC	±0.25	ANGLES	±°
0 PLC	±0.25													
1 PLC	±0.25													
2 PLC	±0.25													
3 PLC	±0.25													
4 PLC	±0.25													
ANGLES	±°													
PRODUCT SPEC	APPLICATION SPEC	SINGLE NON-POE	DESC 1X1 7G01PI GIGABIT, TAB UP, W/LED											
CUSTOMER DRAWING		SIZE A1	RESTRICTED TO											
		SCALE 4:1	SHEET 2 OF 3											
			REV 3											

C_2250020					STOCK DISPOSITION			
REVISION HISTORY					A: CONTINUE AS IS B: REWORK C: SCRAP		D: USE OLD FIRST E: PARTS TO CONFORM F: OTHER	
DATE	REV	CHANGES	REASON	APPROVAL	INVENTORY (A,B,C,D,E,F)	WORK IN PROCESS (A,B,C,F)	SUPPLIER ORDERS (A,E,F)	OPEN CUST ORDERS (A,E,F)
20MAY2013	1	-	INITIAL RELEASE	TONY YUAN	-	-	-	-
28AUG2014	2	SHEET 1, C6: CHANGE 1.27 TO 1.65	PRODUCT IMPROVEMENT	TONY YUAN	-	-	-	-
09FEB2015	3	EC-1411035 COMPANY LOGO CHANGE	MARKET REQUEST	TONY YUAN	-	-	-	-

THIS DRAWING IS A CONTROLLED DOCUMENT.

DIMENSIONS:	TOLERANCES UNLESS OTHERWISE SPECIFIED:	DRW ROY LIU 20MAY2013	 trp CONNECTOR <small>a bel group</small>	DONGGUAN CHINA
mm	0 PLC ±0.25 1 PLC ±0.25 2 PLC ±0.25 3 PLC ±0.25 4 PLC ± ANGLES ±	CHK TOWER YU / FRANK LIU 20MAY2013		DESC IXI 7G01PI GIGABIT, TAB UP, W/LED
	APPLICATION SPEC	APPROV TONY YUAN 20MAY2013		SIZE A1
PRODUCT SPEC		MODEL NAME MAGJACK		
		SINGLE NON-POE		
		CUSTOMER DRAWING		SCALE 4:1 SHEET 3 OF 3 REV 3