

SAC-4P-10,0-186/M12FR - Sensor/actuator cable



1524129

<https://www.phoenixcontact.com/us/products/1524129>

Please be informed that the data shown in this PDF document is generated from our online catalog. Please find the complete data in the user documentation. Our general terms of use for downloads are valid.



Sensor/actuator cable, 4-position, free cable end, on Socket angled M12, coding: A, cable length: 10 m

Commercial data

Item number	1524129
Packing unit	1 pc
Minimum order quantity	1 pc
Note	Made to order (non-returnable)
Sales key	BF03
Product key	BF1CCA
GTIN	4017918947224
Weight per piece (including packing)	632 g
Weight per piece (excluding packing)	600.8 g
Customs tariff number	85444290
Country of origin	PL

1524129

<https://www.phoenixcontact.com/us/products/1524129>

Technical data

Product properties

Product type	Sensor/actuator cable
Number of positions	4
No. of cable outlets	1
Shielded	no
Coding	A

Insulation characteristics

Overvoltage category	II
Degree of pollution	3

Material specifications

Flammability rating according to UL 94	HB
Seal material	NBR
Material of grip body	TPU, hardly inflammable, self-extinguishing
Contact material	CuSn
Contact surface material	Ni/Au
Contact carrier material	TPU GF
Material for screw connection	Zinc die-cast, nickel-plated

Electrical properties

Contact resistance	$\leq 5 \text{ m}\Omega$
Insulation resistance	$\geq 100 \text{ M}\Omega$
Nominal voltage U_N	250 V AC
	250 V DC
Nominal current I_N	4 A

Mechanical properties

Mechanical data

Insertion/withdrawal cycles	≥ 100
-----------------------------	------------

Signaling

Status display	No
Status display present	No

Connection data

Conductor connection

Tightening torque	0.4 Nm
-------------------	--------

Connector

Connection 1

SAC-4P-10,0-186/M12FR - Sensor/actuator cable

1524129

<https://www.phoenixcontact.com/us/products/1524129>

Type	free cable end
------	----------------


Connection 2

Type	Socket angled M12
Number of positions	4
Coding type	A
Number of positions	4

Cable/line

Cable length	10 m
--------------	------

PUR POWER 0.75 mm² black [186]

Dimensional drawing	
Cable weight	57 kg/km
UL AWM Style	20549 / 1061 (80°C/300 V)
Number of positions	4
Shielded	no
Cable type	PUR POWER 0.75 mm ² black [186]
Conductor structure signal line	42x 0.15 mm
AWG signal line	18
Conductor cross section	4x 0.75 mm ² (power line)
Wire diameter incl. insulation	1.75 mm ±0.05 mm
External cable diameter	5.9 mm ±0.15 mm
Outer sheath, material	PUR
External sheath, color	black-gray RAL 7021
Conductor material	Bare Cu litz wires
Material wire insulation	PVC
Single wire, color	brown, white, blue, black
Thickness, insulation	≥ 0.23 mm (Core insulation) ≥ 0.76 mm (Outer cable sheath)
Overall twist	4 wires, twisted
Max. conductor resistance	max. 26 Ω/km (at 20 °C)
Insulation resistance	≥ 1 MΩ*km (at 20 °C)
Nominal voltage, cable	≤ 300 V
Test voltage	≥ 3000 V
Minimum bending radius, fixed installation	5 x D
Minimum bending radius, flexible installation	10 x D
Smallest bending radius, movable installation	59 mm

SAC-4P-10,0-186/M12FR - Sensor/actuator cable



1524129

<https://www.phoenixcontact.com/us/products/1524129>

Max. bending cycles	2000000
Flame resistance	according to UL 758/1581 (horizontal)
	in accordance with UL 758/1581 FT2
Resistance to oil	According to DIN EN 60811-2-1, 168 h at 100°C
Other resistance	hydrolysis and microbe resistant
	Low adhesion
	abrasion-resistant
	Resistant to salt water
Ambient temperature (operation)	-25 °C ... 80 °C (cable, fixed installation)
	-5 °C ... 80 °C (Cable, flexible installation)

Environmental and real-life conditions

Ambient conditions

Degree of protection	IP65
	IP67
	IP68
Ambient temperature (operation)	-25 °C ... 90 °C (Plug / socket)
	-25 °C ... 80 °C (cable, fixed installation)
	-5 °C ... 80 °C (Cable, flexible installation)

SAC-4P-10,0-186/M12FR - Sensor/actuator cable

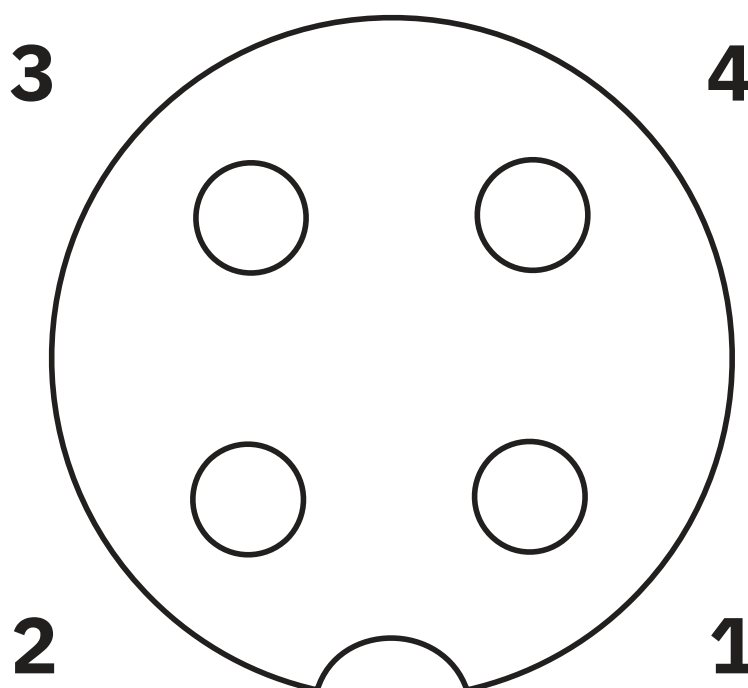


1524129

<https://www.phoenixcontact.com/us/products/1524129>

Drawings

Schematic diagram



Pin assignment M12 socket, 4-pos., A-coded, view female side

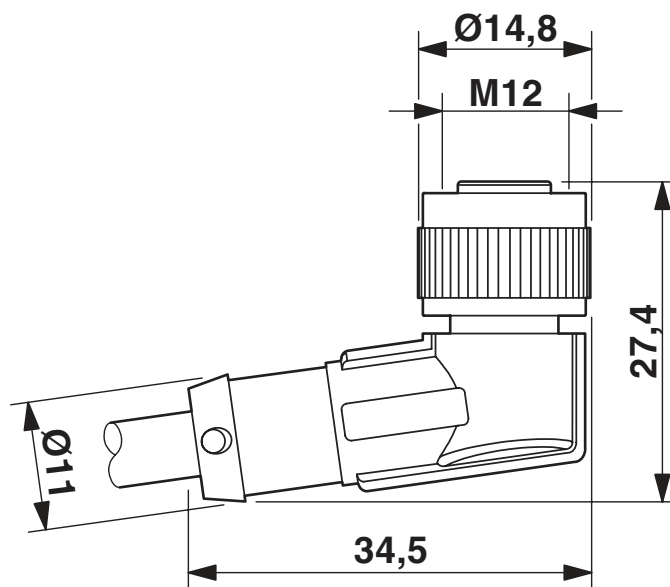
SAC-4P-10,0-186/M12FR - Sensor/actuator cable

1524129

<https://www.phoenixcontact.com/us/products/1524129>



Dimensional drawing



M12 x 1 socket, angled

SAC-4P-10,0-186/M12FR - Sensor/actuator cable





1524129


<https://www.phoenixcontact.com/us/products/1524129>

Approvals

To download certificates, visit the product detail page: <https://www.phoenixcontact.com/us/products/1524129>

 UL Listed Approval ID: FILE E 221474				
	Nominal voltage U_N	Nominal current I_N	Cross section AWG	Cross section mm^2
	300 V	4 A	-	-

 cUL Listed Approval ID: FILE E 221474				
	Nominal voltage U_N	Nominal current I_N	Cross section AWG	Cross section mm^2
	300 V	4 A	-	-

 EAC-RoHS Approval ID: RU D-DE.HB35.B.00387	
---	--

cULus Listed

SAC-4P-10,0-186/M12FR - Sensor/actuator cable



1524129

<https://www.phoenixcontact.com/us/products/1524129>

Classifications

ECLASS

ECLASS-11.0	27060311
ECLASS-12.0	27060311
ECLASS-13.0	27060311

ETIM

ETIM 8.0	EC001855
----------	----------

UNSPSC

UNSPSC 21.0	26121600
-------------	----------

SAC-4P-10,0-186/M12FR - Sensor/actuator cable



1524129

<https://www.phoenixcontact.com/us/products/1524129>

Environmental product compliance

China RoHS	Environmentally friendly use period: unlimited = EFUP-e No hazardous substances above threshold values
------------	---

Phoenix Contact 2023 © - all rights reserved
<https://www.phoenixcontact.com>

Phoenix Contact USA
586 Fulling Mill Road
Middletown, PA 17057, United States
(+717) 944-1300
info@phoenixcon.com