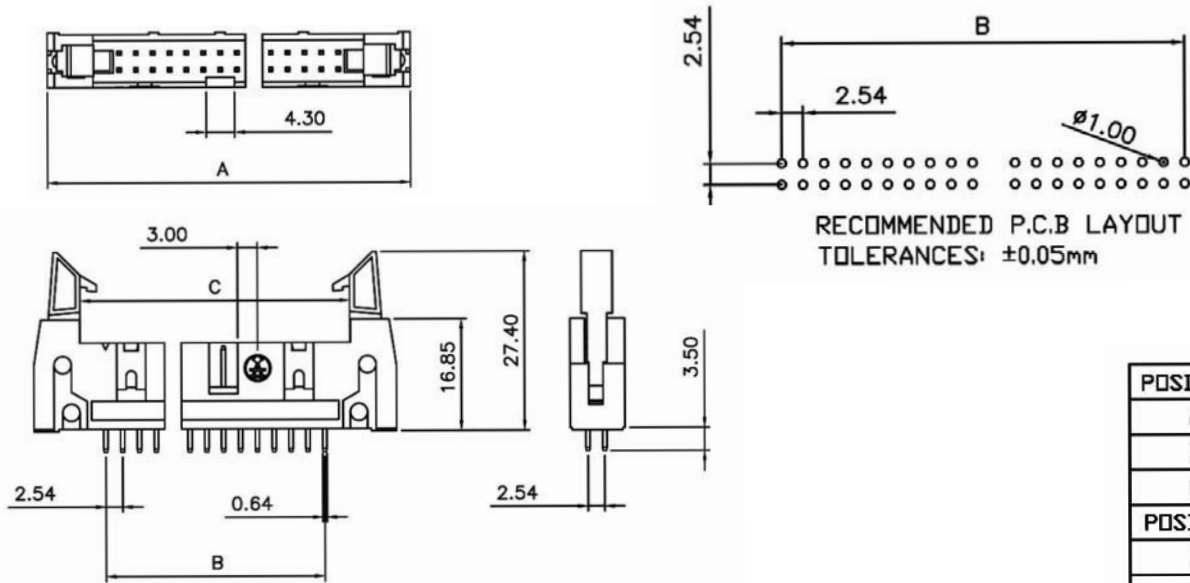


AWHxG-02x2-T-R

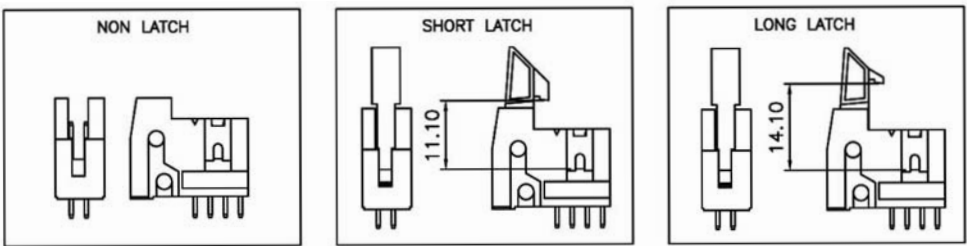
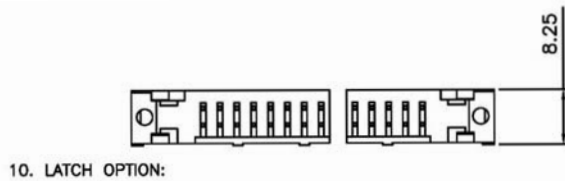
Latches
 0 - w/o latches
 2 - w/short latches
 3 - w/long latches

Number of Contacts
 10/14/16/20/26/34
 40/50/60/64



POSITION	10	12	14	16	20	24	26
A	31.90	34.60	36.98	39.52	44.60	49.68	52.15
B	10.16	12.70	15.24	17.78	22.86	27.94	30.48
C	18.00	20.54	23.08	25.62	30.70	35.78	38.32
POSITION	30	34	40	50	60	64	
A	57.40	62.38	70.00	82.70	95.60	100.7	
B	35.56	40.64	48.26	60.96	73.66	78.74	
C	43.40	48.48	56.10	68.80	81.82	86.90	

Material: PBT UL94V-0
 Contact (material): Brass
 Contact resistance: 10 mΩ Max.
 Insulation Resistance: 1000 MΩ Min.
 Current rating: 1 AMP
 Dielectric Voltage: 500V AC for one minute
 Operation Temperature: -55 C to +105C



Tolerance: ±0.2 Unit: MM



Scale	1:1						Name	Item No. AWHx-G-02x2-T-R
TOLERANCE					Drawn	07/09/12	Miller	
X.X	±0.40				Approved	07/09/12	Warner	
X.XX	±0.25							
X.XXX	±0.15							Title Dual Row Header, 2.54MM pitch, PCB Mount
Angle	±3°							
Modification			Date	Name				Drawing No.
								rev00
								Replace
								Sheet