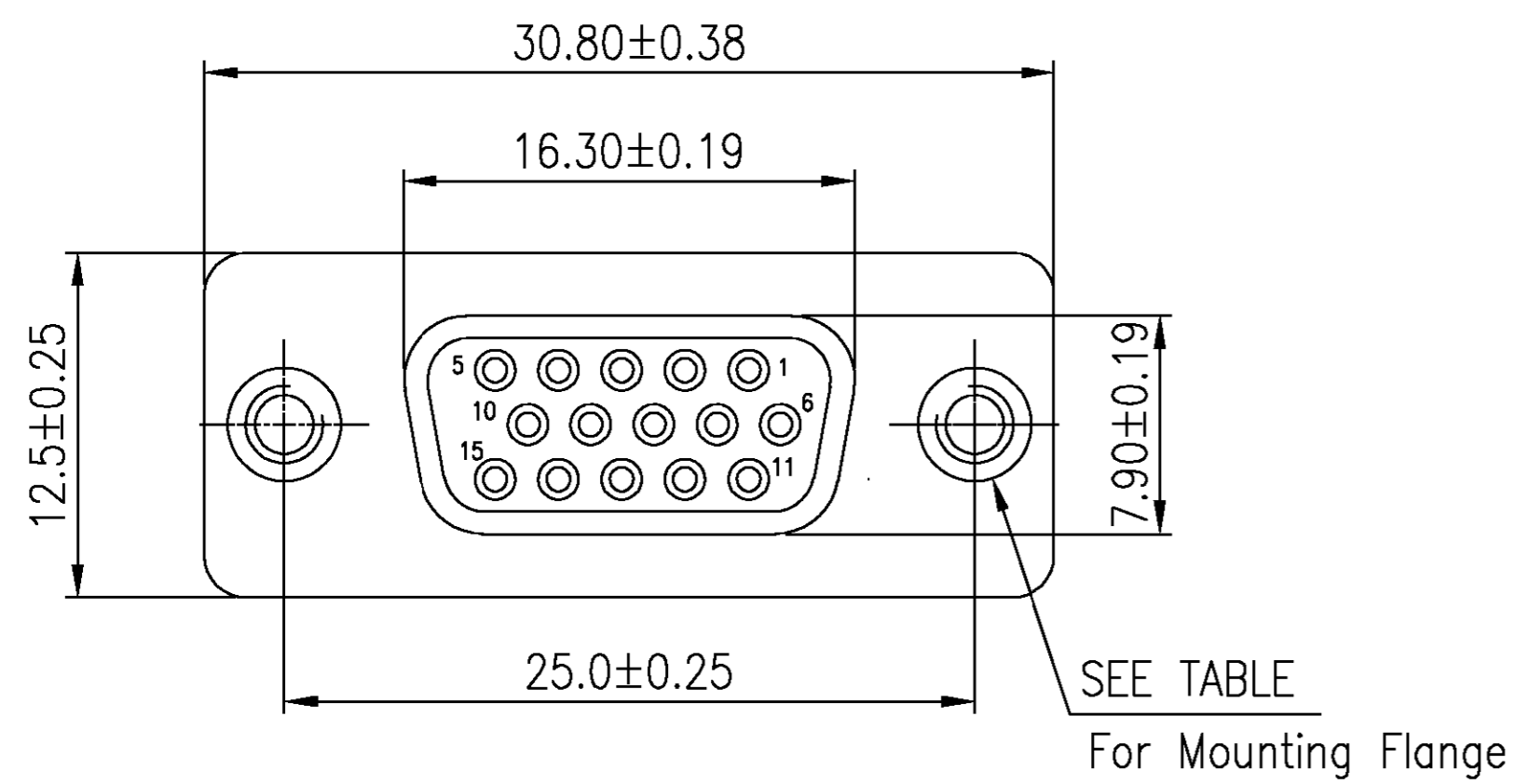
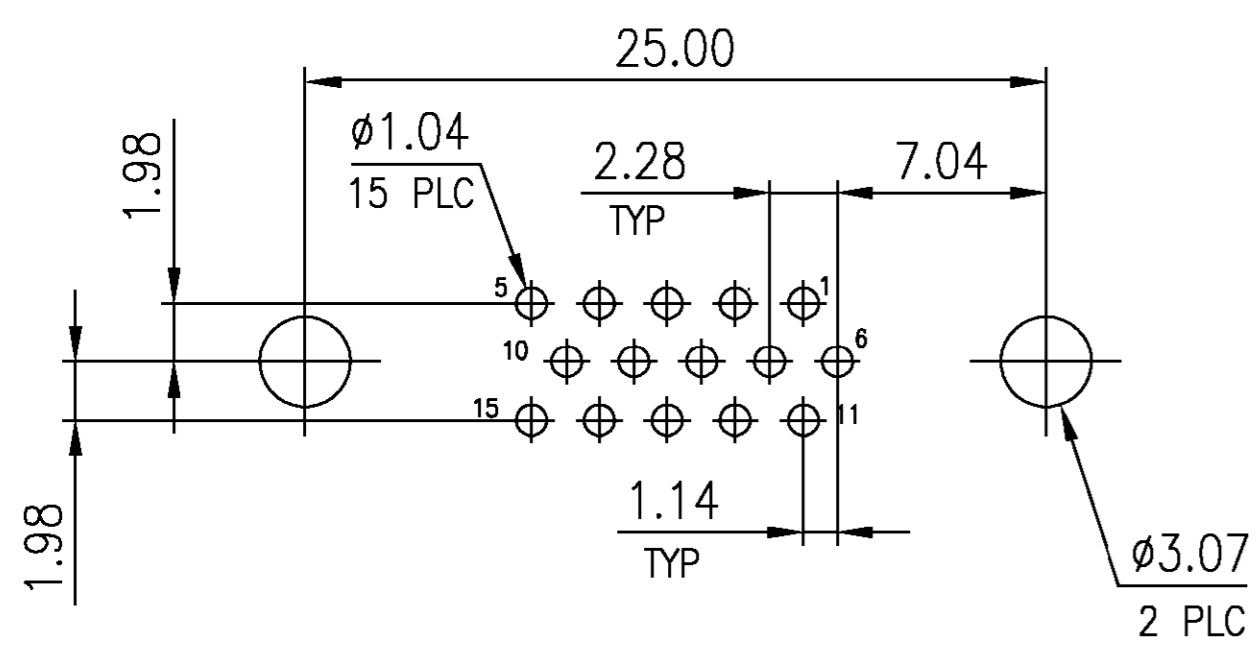
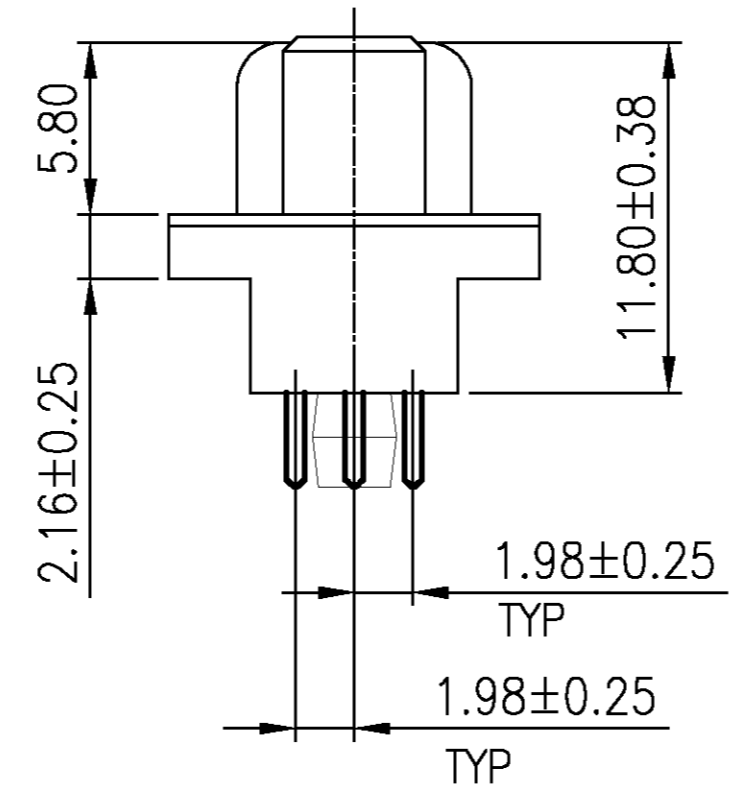
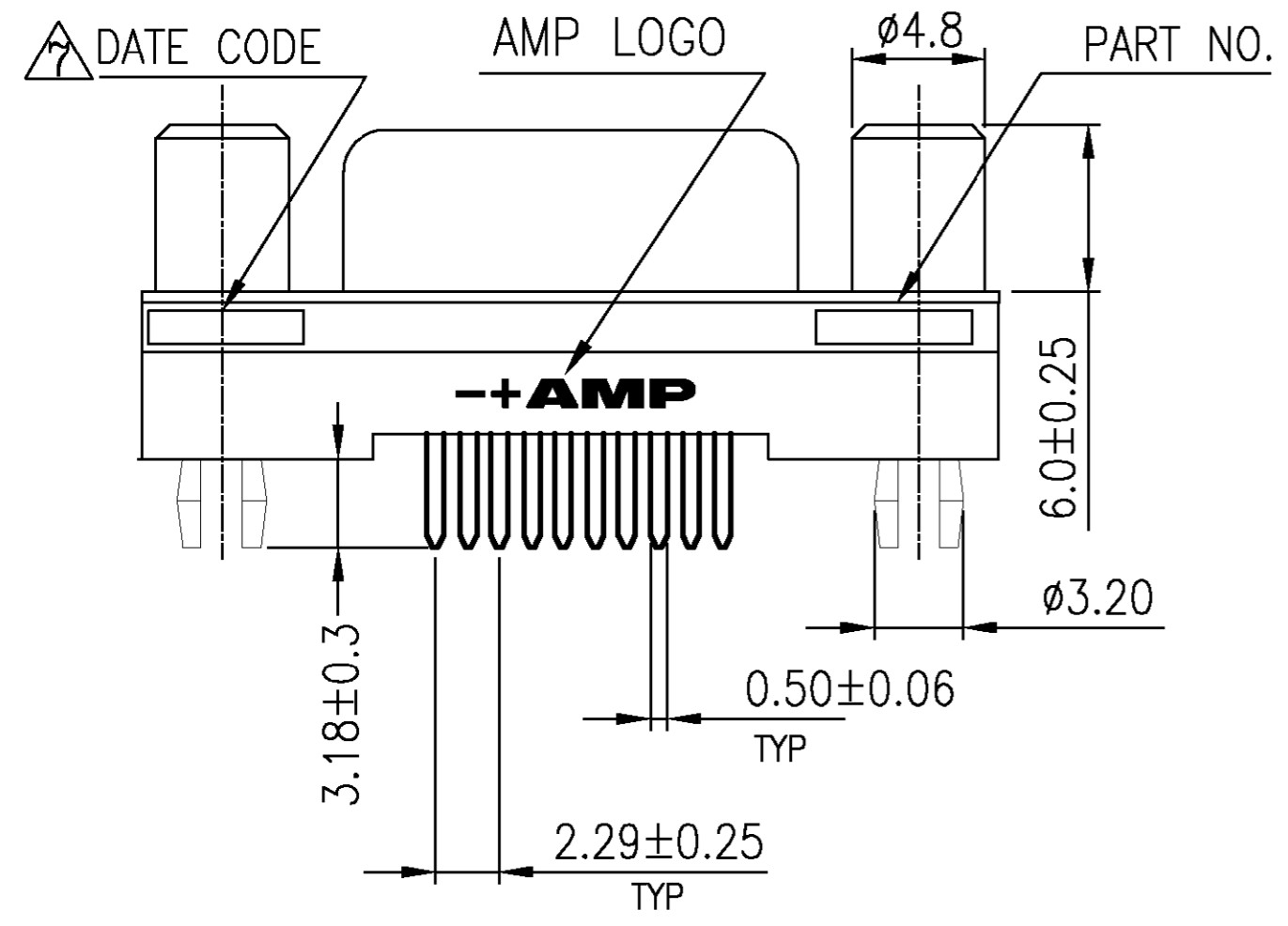
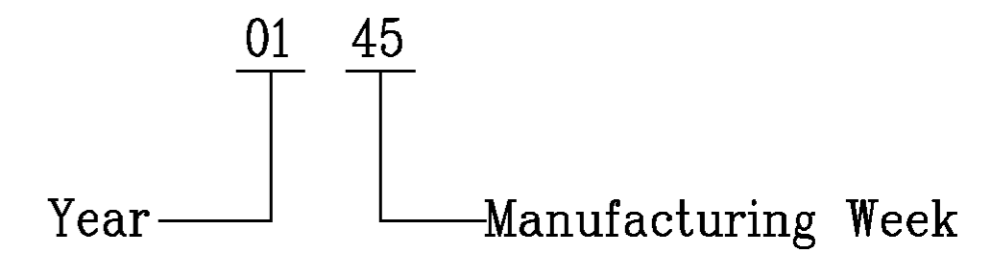


LOC	DIST	REVISIONS			
P	LTR	DESCRIPTION	DATE	DWN	APVD
GP	0	E	REVISED PER OS13-0232-02	12JULY02	JB CC



**MATERIAL:**

- Housing: PBT , 30 % G.F polyester, Black. ( UL 94V-0 Rated )
  - Contact: Phos. Bronze.
  - Contact Plated: 30u"Gold Plated over 50u" Nickel underplated.
  - Solder Tail: Sn/Pb Plated 120u" over 50u" Nickel underplated.
  - Shell: Steel, Nickel Plated.
  - Rivet: Brass, Nickel plated 30u" Min.
- △ Four digit date code in this format.



**RECOMMENDED PCB LAYOUT**

Tray	Gold Flash	Detail A	786382-4
Tray	15 μ"	Detail A	786382-3
Tray	30 μ"	Detail A	786382-1
Packaging	Contact Finish	Mounting Configuration	AMP Part NO.

THIS DRAWING IS A CONTROLLED DOCUMENT.		DWN J.BURWELL 22APR02	Tyco Electronics Corporation	
DIMENSIONS: MM		CHK G.CASH 22APR02	AMPLITE HD-22, 15 POS RECEPTACLE, VERTICAL	
TOLERANCES UNLESS OTHERWISE SPECIFIED:		APVD	RESTRICTED TO	
0 PLC	± -	PRODUCT SPEC	-	
1 PLC	± 0.30	APPLICATION SPEC	-	
2 PLC	± 0.20	WEIGHT	-	
3 PLC	± 0.10	CUSTOMER DRAWING	-	
4 PLC	± -	SCALE	4:1	
ANGLES	± 2°	SHEET	1 OF 1	
MATERIAL	FINISH	SIZE	A2	REV E
		CAGE CODE	00779	
		DRAWING NO	786382	