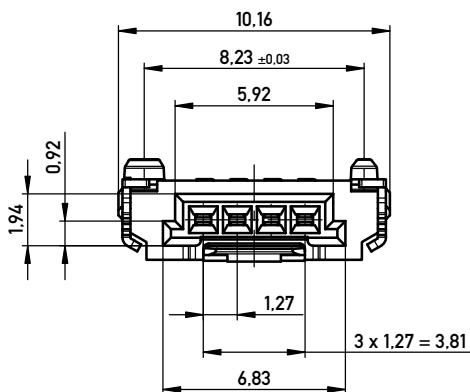
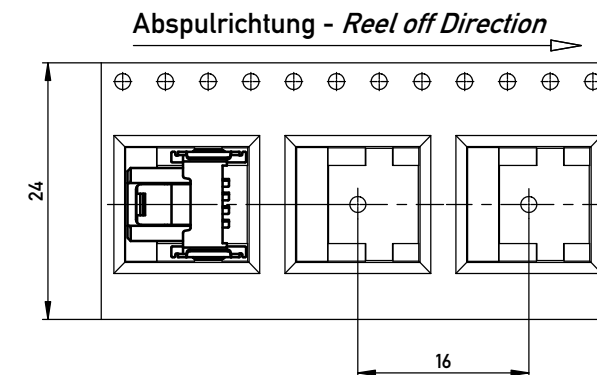
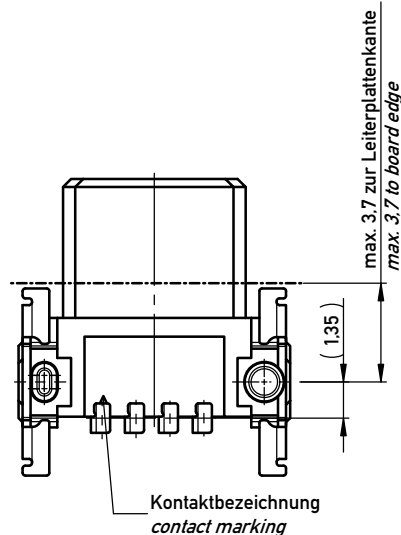
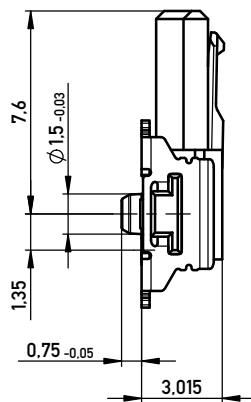
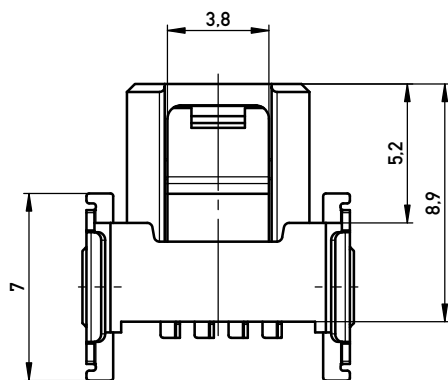
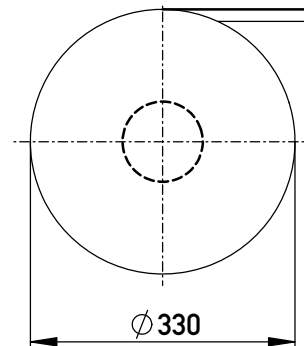
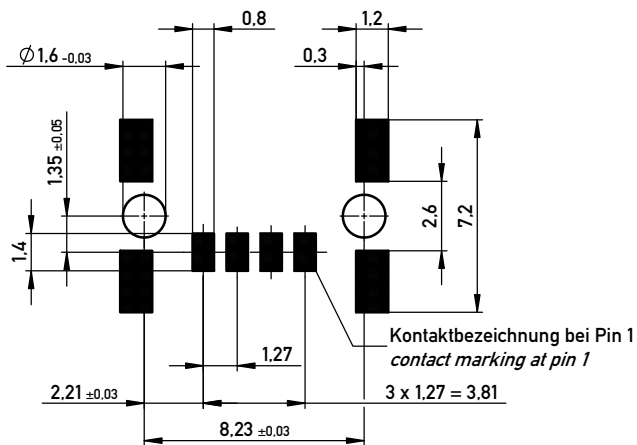


Leiterplatten-Layout Vorschlag für SMT
PCB-Layout Proposal for SMT

Verpackt im Gurt in Anlehnung an DIN IEC 60286-3
Tape on Reel Packaging according to DIN IEC 60286-3
Verpackungseinheit: 850 Stück
Packaging unit: 850 pcs



Anforderungsstufe 1
Performance Level 1

Kontaktbereich vergoldet
Mating Area gold plating

Anschlussbereich verzinkt 4-6 μm
Terminal Area 4-6 μm tin plating

Koplanarität der Anschlüsse ≤ 0.1 mm
Coplanarity Area of Termination ≤ 0.1 mm

mit Verriegelung
with locking mechanism

Information: ohne Hilfsmittel lösbar without tool unlockable	Tolerances	 All Dimensions in mm	Scale	5:1
	All rights reserved. Only for Information. To ensure that this is the latest version of this drawing, please contact one of the ERNI companies before using.		Subject to modification without prior notice. Drawing will not be updated.	Designation F 1.27 SRC P, 4-polig BA1
Copyright by ERNI GmbH Proprietary notice pursuant to ISO 9006 to be observed.	www.ERNI.com	364485	I A3	
b	15.07.2015		Class	SRCP
Index	Date			