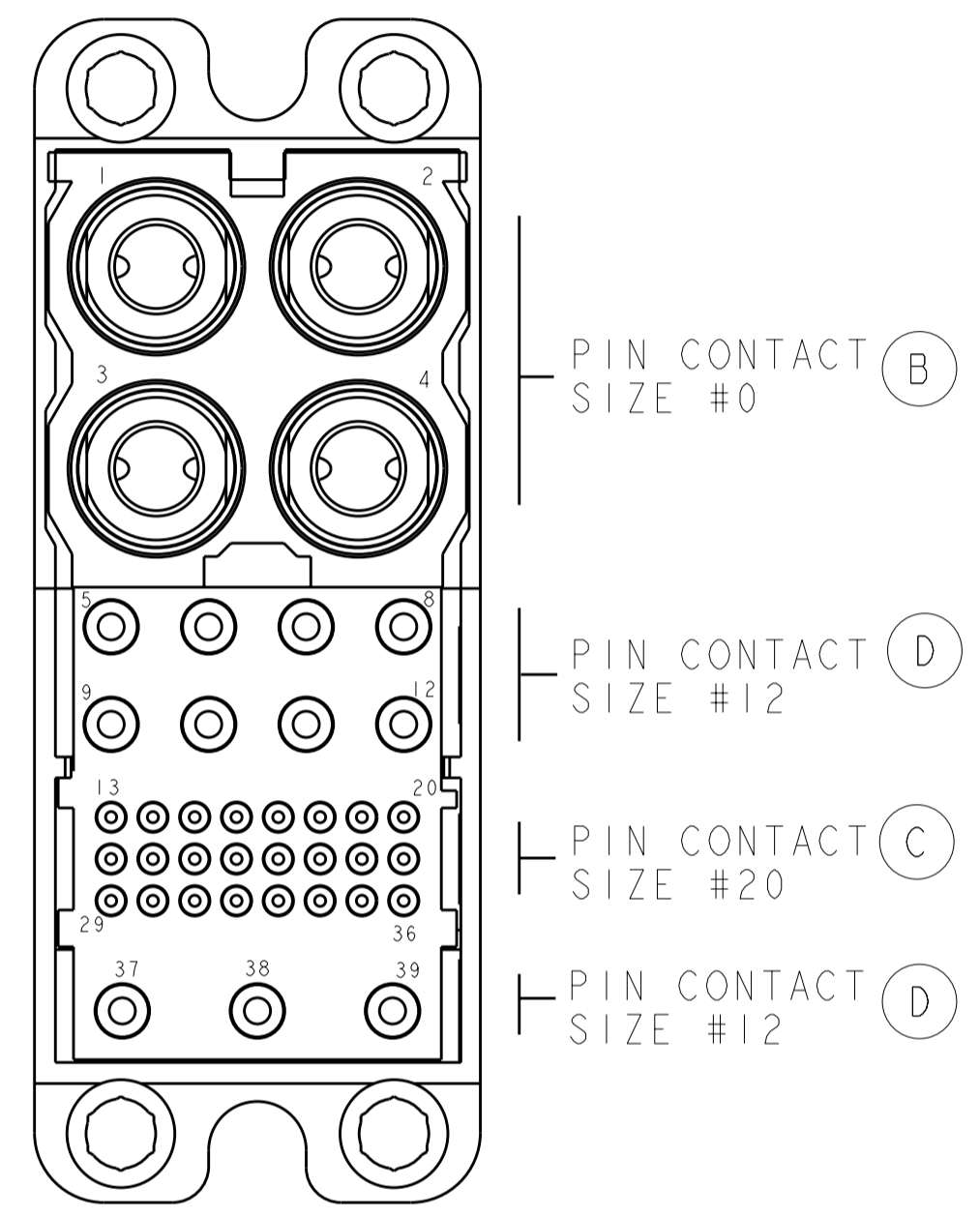
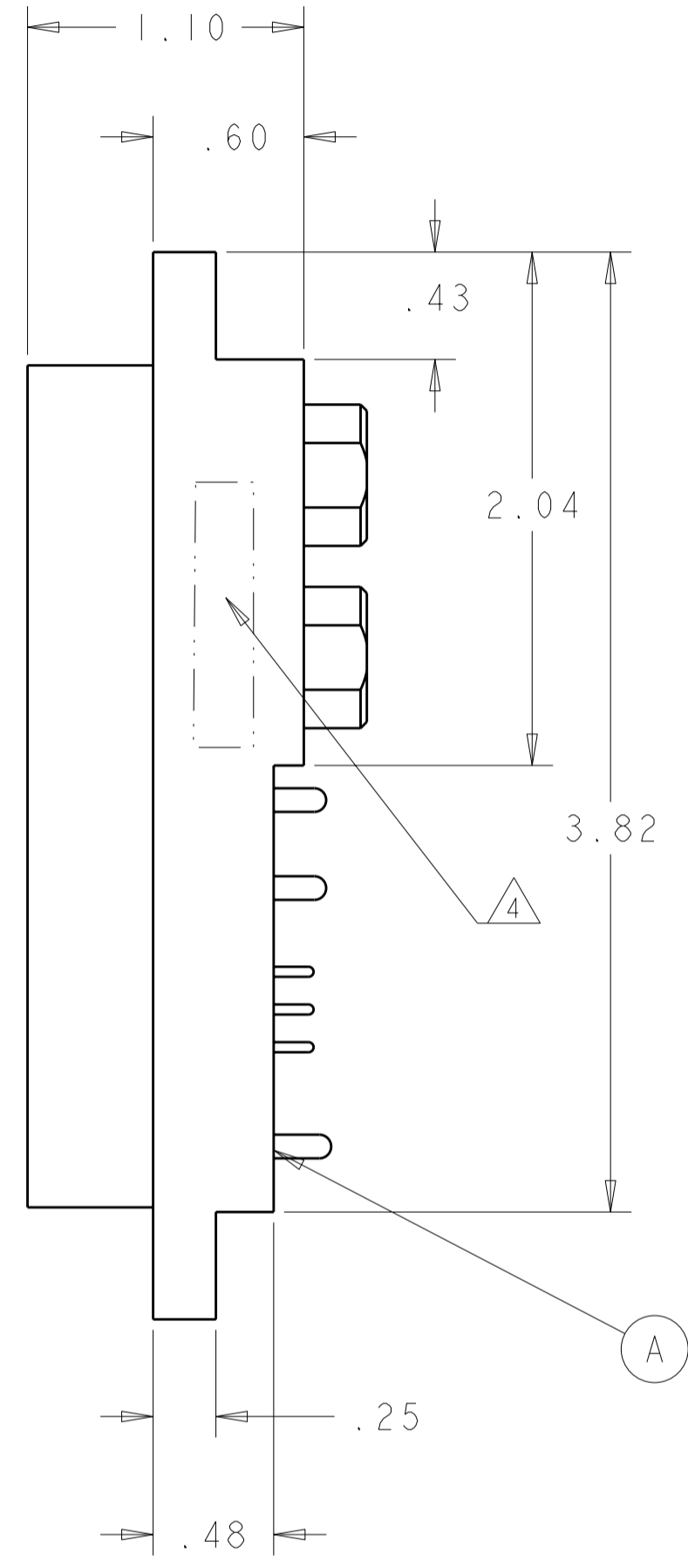
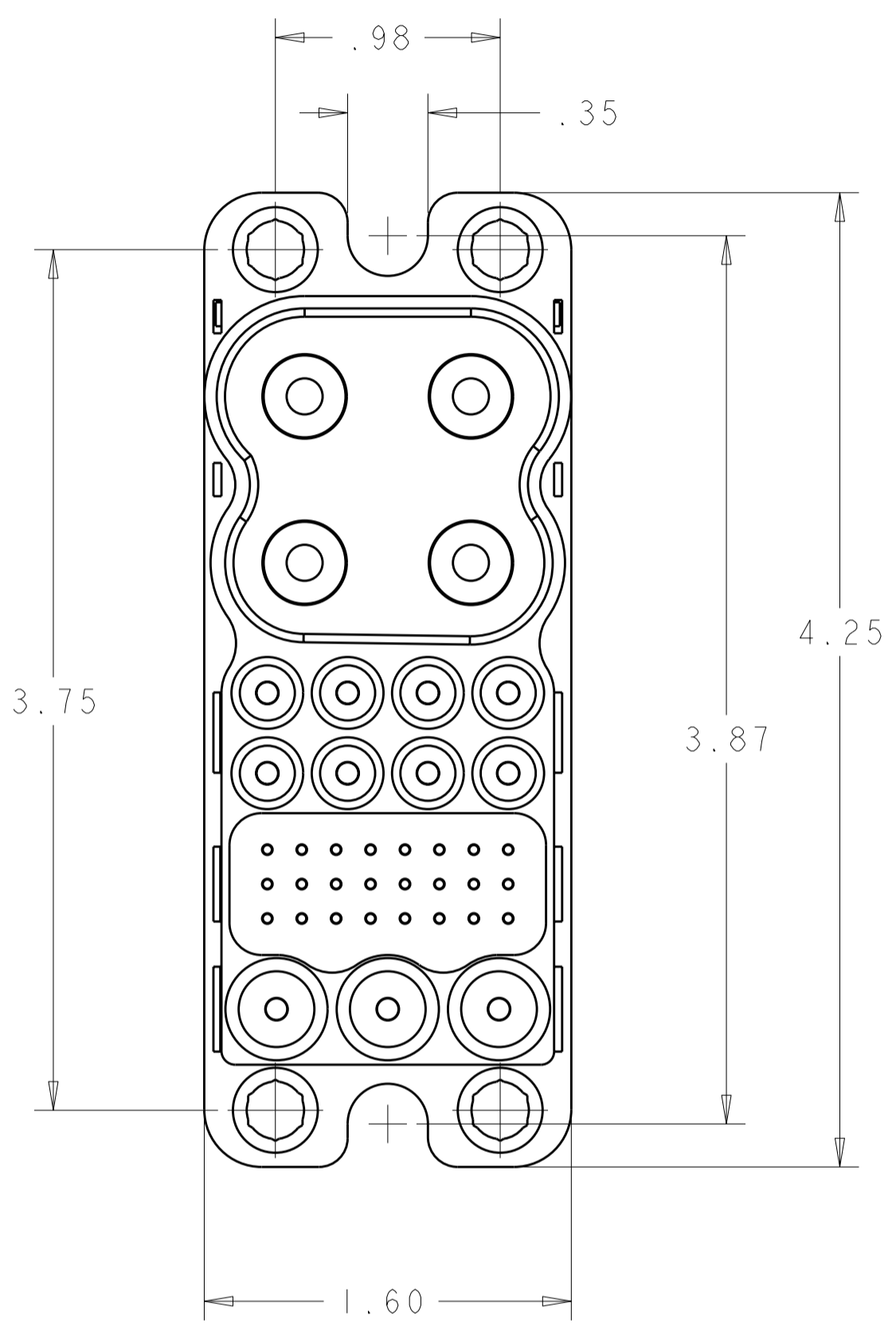


THIS DRAWING IS UNPUBLISHED. RELEASED FOR PUBLICATION 20  
 © COPYRIGHT 20 BY TYCO ELECTRONICS CORPORATION. ALL RIGHTS RESERVED.

LOC	DIST	REVISIONS			
P	LTR	DESCRIPTION	DATE	DWN	APVD
GP	00	A	RELEASED	10JUL2008	RG DO



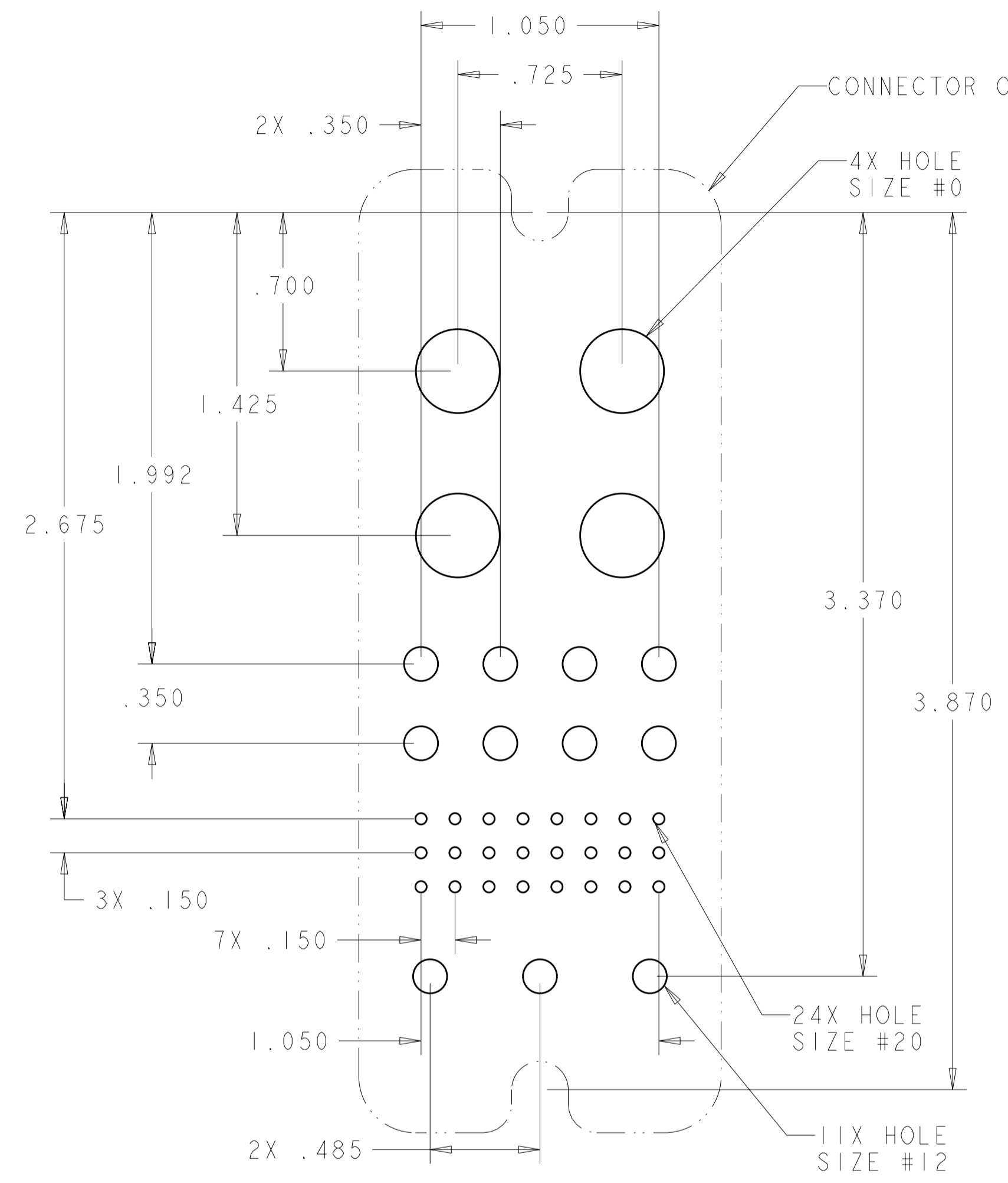
△5	11	1766245-1	CONTACT, PIN, #12, PCB TAIL	D
△5	24	1650283-1	CONTACT, PIN, #20, PCB TAIL	C
	4	1766275-1	CONTACT, PIN (PROBE PROOF), #0, M6 X 1 INT. THD.	B
	1	1648552-2	CONNECTOR, PIN	A
	-1	PART NUMBER	DESCRIPTION	ITEM

**ELCON** **DOUBLE DRAWER**

THIS DRAWING IS A CONTROLLED DOCUMENT FOR TYCO ELECTRONICS CORPORATION. IT IS SUBJECT TO CHANGE AND THE CONTROLLING ENGINEERING ORGANIZATION SHOULD BE CONTACTED FOR THE LATEST REVISION.		DWN R. GRZYBOWSKI 8JULY08 CHK D. ORRIS 8JULY08 APVD S. FLICKINGER 8JULY08	<b>tyco</b> Electronics Tyco Electronics Harrisburg, PA 17105-3608
DIMENSIONS: INCHES 	TOLERANCES UNLESS OTHERWISE SPECIFIED: 0 PLC ± 1 PLC ±.02 2 PLC ±.02 3 PLC ±.010 4 PLC ± ANGLES ±.5 FINISH	PRODUCT SPEC APPLICATION SPEC WEIGHT	NAME PIN CONNECTOR ASSEMBLY SOLDER TAILS DOUBLE DRAWERS SIZE CAGE CODE DRAWING NO RESTRICTED TO A200779C-1926868 -
MATERIAL		CUSTOMER DRAWING	SCALE 2:1 SHEET 1 OF 2 REV A

THIS DRAWING IS UNPUBLISHED. RELEASED FOR PUBLICATION 20  
 © COPYRIGHT 20 BY TYCO ELECTRONICS CORPORATION. ALL RIGHTS RESERVED.

LOC	DIST	REVISIONS					
GP	00	P	LTR	DESCRIPTION	DATE	DWN	APVD
		-		SEE SHEET 1			



SUGGESTED PC BOARD LAYOUT  
 VIEW FROM CONNECTOR MOUNTING SIDE

HOLE SIZE #0  
 FINISHED HOLE:  $\phi .572 \pm .003$   
 DRILLED HOLE:  $\phi .5740 \pm .0005$   
 COPPER PLATE: .0010 MIN  
 TIN PLATE: .0002 MIN THK.

HOLE SIZE #12  
 FINISHED HOLE:  $\phi .104 \pm .003$   
 DRILLED HOLE:  $\phi .1065 \pm .0005$   
 COPPER PLATE: .0010 MIN  
 TIN PLATE: .0002 MIN THK.

HOLE SIZE #20  
 FINISHED HOLE:  $\phi .047 \pm .003$   
 DRILLED HOLE:  $\phi .0453 \pm .0005$   
 COPPER PLATE: .0010 MIN  
 TIN PLATE: .0002 MIN THK.

- PART NUMBER CHANGES AND OR DESIGN CHANGES AFFECTING THE INTERCHANGEABILITY REQUIRE PRIOR TYCO ELECTRONICS APPROVAL AND AUTHORIZATION BY REVISION TO THIS DRAWING.
- MATERIAL:  
 INSULATOR: THERMOPLASTIC, GLASS REINFORCED, UL 94V-0  
 FLAMMABILITY RATED, COLOR: BLACK  
 PIN CONTACT SIZE No. 0 : TELLURIUM COPPER ALLOY  
 PIN CONTACT SIZE No. 12 & 20 : BRASS ALLOY  
 RETENTION CLIP: BERYLLIUM COPPER OR STAINLESS STEEL
- FINISH:  
 PIN CONTACTS SIZE #0 & #12: SILVER PLATE .000200 MIN THK.  
 OVER NICKEL .000040 MIN THK.  
 PIN CONTACTS SIZE #20: GOLD PLATE .000030 MIN THK.  
 OVER NICKEL .000040 MIN THK.

- 4 ITEMS PROVIDED TO THIS SPECIFICATION TO BE PERMANENTLY IDENTIFIED PER THE FOLLOWING IDENTIFIER:
- YEAR | WEEK
- TYCO ELECTRONICS P/N      DATE CODE (e.g. 0216)
- XXXXXX-X      XXXX
- 5 SOLDER TAIL CONTACTS (ITEMS C THRU D) ARE INSERTABLE/NON-REMOVABLE

**ELCON**      **DOUBLE DRAWER**

THIS DRAWING IS A CONTROLLED DOCUMENT FOR TYCO ELECTRONICS CORPORATION. IT IS SUBJECT TO CHANGE AND THE CONTROLLING ENGINEERING ORGANIZATION SHOULD BE CONTACTED FOR THE LATEST REVISION.		DWN R. GRZYBOWSKI 8 JULY 08	Tyco Electronics Harrisburg, PA 17105-3608	
DIMENSIONS: INCHES		CHK D. ORRIS 8 JULY 08		
TOLERANCES UNLESS OTHERWISE SPECIFIED:		APVD S. FLICKINGER 8 JULY 08	NAME PIN CONNECTOR ASSEMBLY SOLDER TAILS DOUBLE DRAWERS	
0 PLC ± 1 PLC ± 2 PLC ±.02 3 PLC ±.010 4 PLC ± ANGLES ±.5 FINISH		PRODUCT SPEC -	SIZE A200779	DRAWING NO. C-1926868
MATERIAL -		APPLICATION SPEC -	RESTRICTED TO -	SCALE 2:1 SHEET 2 OF 2 REV A
CUSTOMER DRAWING		WEIGHT -		