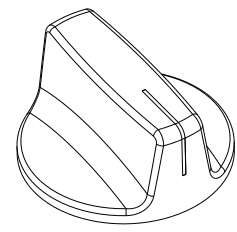
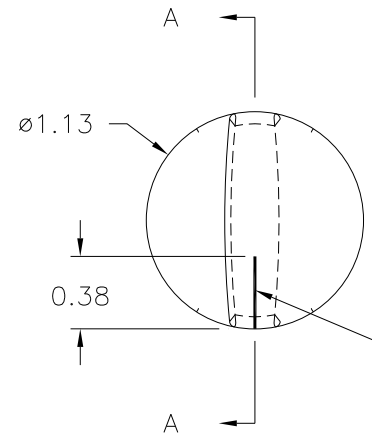


PART NAME: KNOB SCALE: 1:1 DATE: 2/9/93 DR. BY HD

THIS DRAWING IS THE PROPERTY OF DAVIES MOLDING COMPANY, IS SUBMITTED SOLELY AS A DESIGN OR ENGINEERING PROJECT. WE ACCEPT NO RESPONSIBILITY WHATSOEVER FOR THE PRACTICAL APPLICATION OF THE PIECES MADE TO THIS DESIGN.

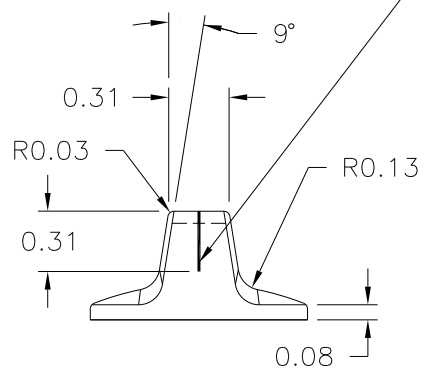
DAVIES MOLDING COMPANY
CAROL STREAM, ILLINOIS 60188

P/N	1500AY
BASE PART	1500-06
-	-

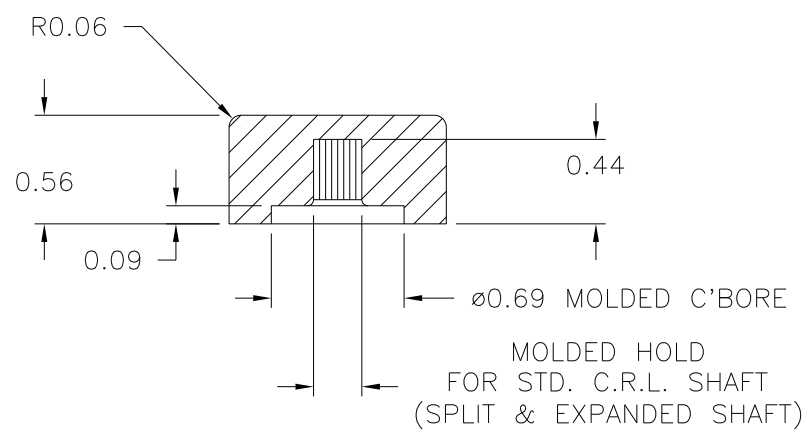


NO SCALE/ FOR REFERENCE

PAD PRINTED INDICATOR LINE (0.020 WIDE) FILLED IN-WHITE.



SECTION A-A



MATERIAL: #2311 PLENCO PHENOLIC (B11)
COLOR: BLACK

TOLERANCES: UNLESS OTHERWISE SPECIFIED	DO NOT SCALE DRAWING				
DECIMALS: X.XXX ± .005 X.XX ± .015	MM: X.XX ± 0.15MM X.X ± 0.4MM	-	UPDATED/HAD TOOLBOX	ST	5/30/01
FRACTIONS ± 1/64	ANG. ± 1°	CHANGES			