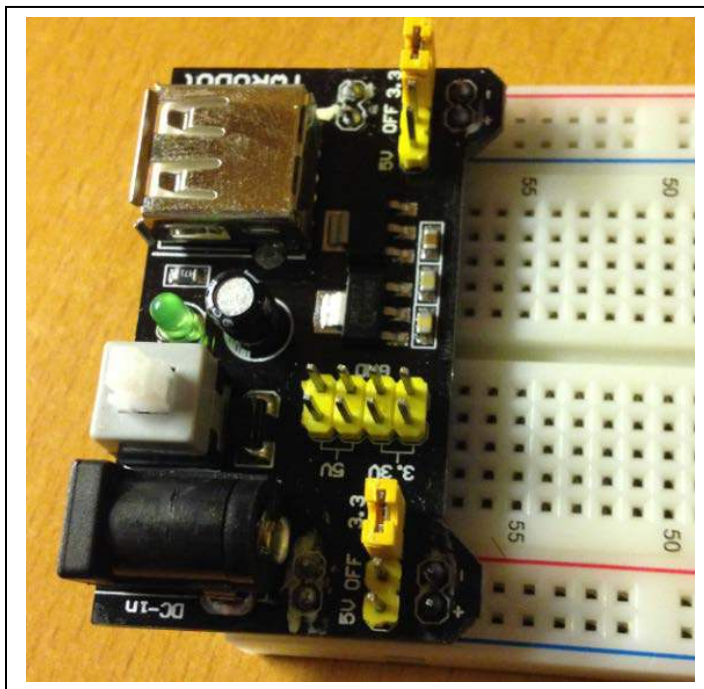


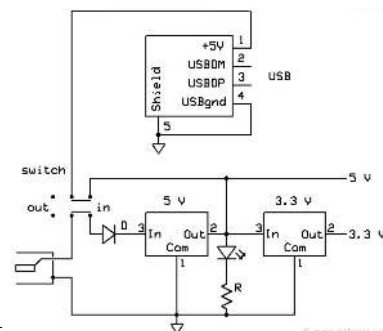
BBP-32701 BREADBOARD POWER SUPPLY



Ordering Information

Bud Catalog Number	Description	Size LxWxD"	Weight (lb)
BBP-32701	Dual Voltage 3.3V, 5V Breadboard mounted Power Supply	2.07x1.25x0.75	0.024

- Fits perfectly on BB series Bread boards
- Ideal for running an Arduino AND supplying power to other components
- Compatible with 5V / 3.3V
- Power Input options: 6 to max 12V DC and from a USB
- Can be turned off without removing the power source
- Output voltage: 3.3V, 5V switchable
- Two way independent control, can be switched to 0V, 3.3V, 5V
- two independent output pins of 3.3V, 5V
- Maximum output current 700mA



BUD INDUSTRIES, INC. • 4605 E. 355th Street
Willoughby, Ohio 44094 • (440) 946-3200 • Fax (440) 951-4015
E-MAIL: saleseast@budind.com • **WEB SITE:** www.budind.com
BUD WEST • 440-946-3200 • saleswest@budind.com