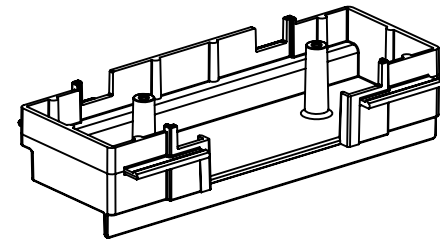
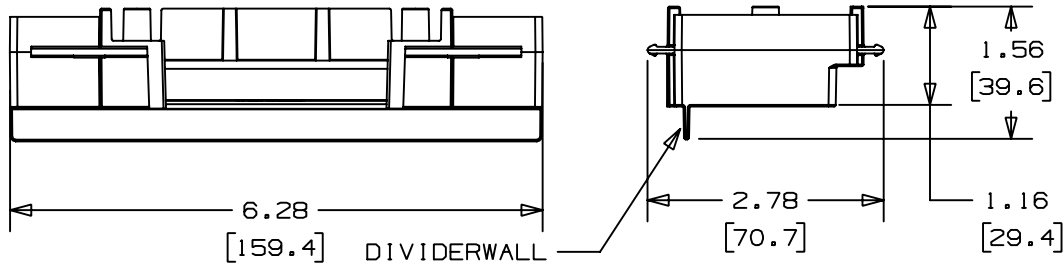
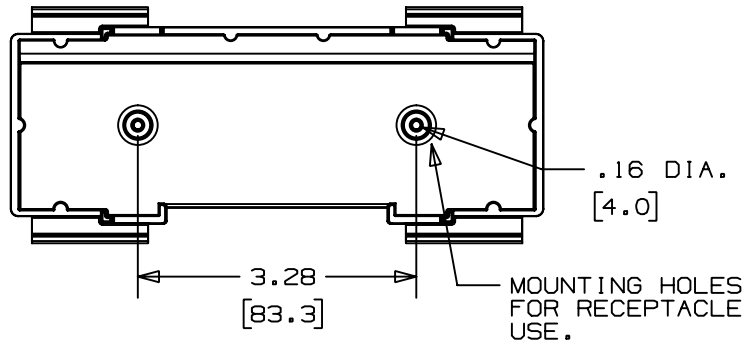


THIS COPY IS PROVIDED ON A RESTRICTED BASIS AND IS NOT TO BE USED IN ANY WAY DETRIMENTAL TO THE INTERESTS OF PANDUIT CORP.



PANDUIT P/N	WEIGHT
T70HB3	1.3 LB/10 PCS (608 g/10 PCS)

NOTES:

1. SEE CURRENT CATALOG FOR ADDITIONAL PART SUFFIXES TO INDICATE PACKAGE QUANTITY AND USE.
2. THE T70HB3 ALLOWS WIRE PASSAGE FROM THE OPEN SIDE OF THE BOX TO THE POWER SIDE OF THE T70B RACEWAY SYSTEM.
3. THE T70HB3 ACCEPTS SNAP-ON RECEPTACLE FACEPLATES.
4. DIMENSIONS IN PARENTHESES ARE IN METRIC.

CAD FILENAME/LAYERS D36601BA_DC_T70HB3_00

PANDUIT CORP. TINLEY PARK, ILLINOIS
T70 3 SIDED HANGING BOX (T70HB3)
CUSTOMER DRAWING

UNLESS OTHERWISE SPECIFIED, DIMENSIONAL TOLERANCES ARE:
(.X) ± (.XXX) ±
(.XX) ±.03(.8) ANGLES ±

UNLESS OTHERWISE SPECIFIED, ALL DIMENSIONS ARE GIVEN IN INCHES, THIRD ANGLE PROJECTION.

DRAWN BY DW	MAT'L: PVC	SCALE NONE	DWG A
DATE 07-02-98		DRAWING NO. 36601-03	SIZE
CHECKED BY HIW			

REV	DATE	BY	CHK	DESCRIPTION	ECN	CHK	CUST	SUP
R	07-02-98	DW	HIW	RELEASED TO PRODUCTION.	36601-03	HIW	HIW	