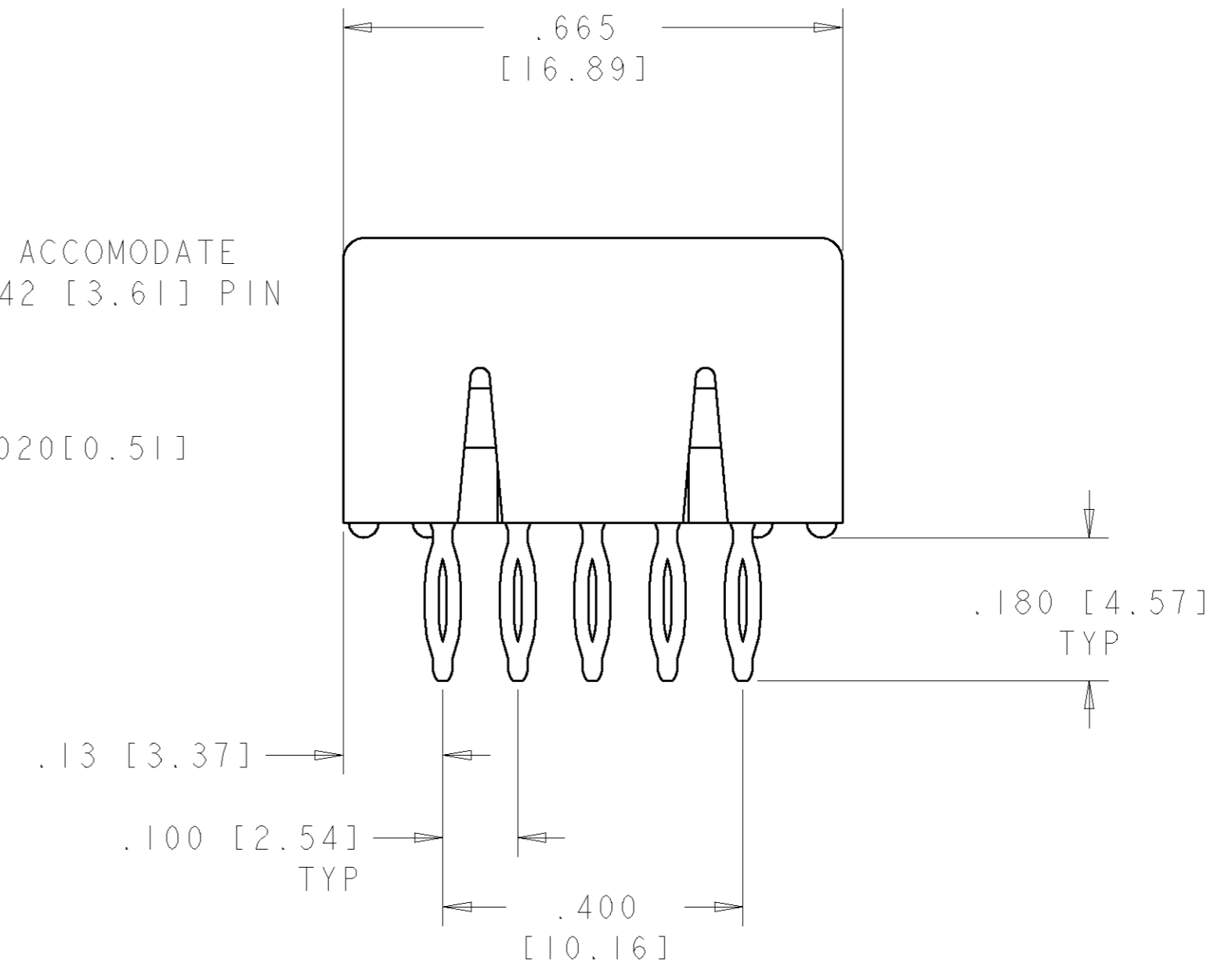
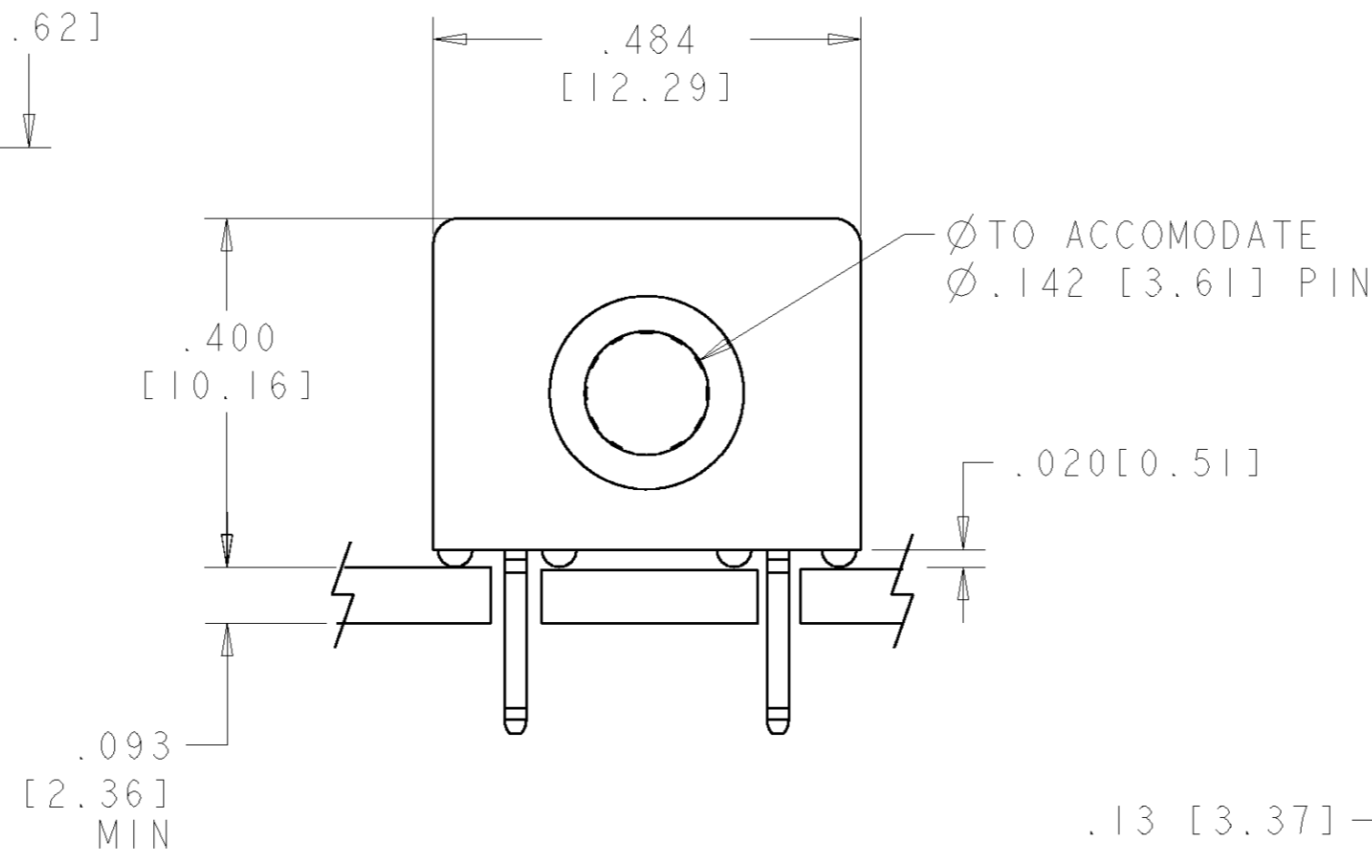
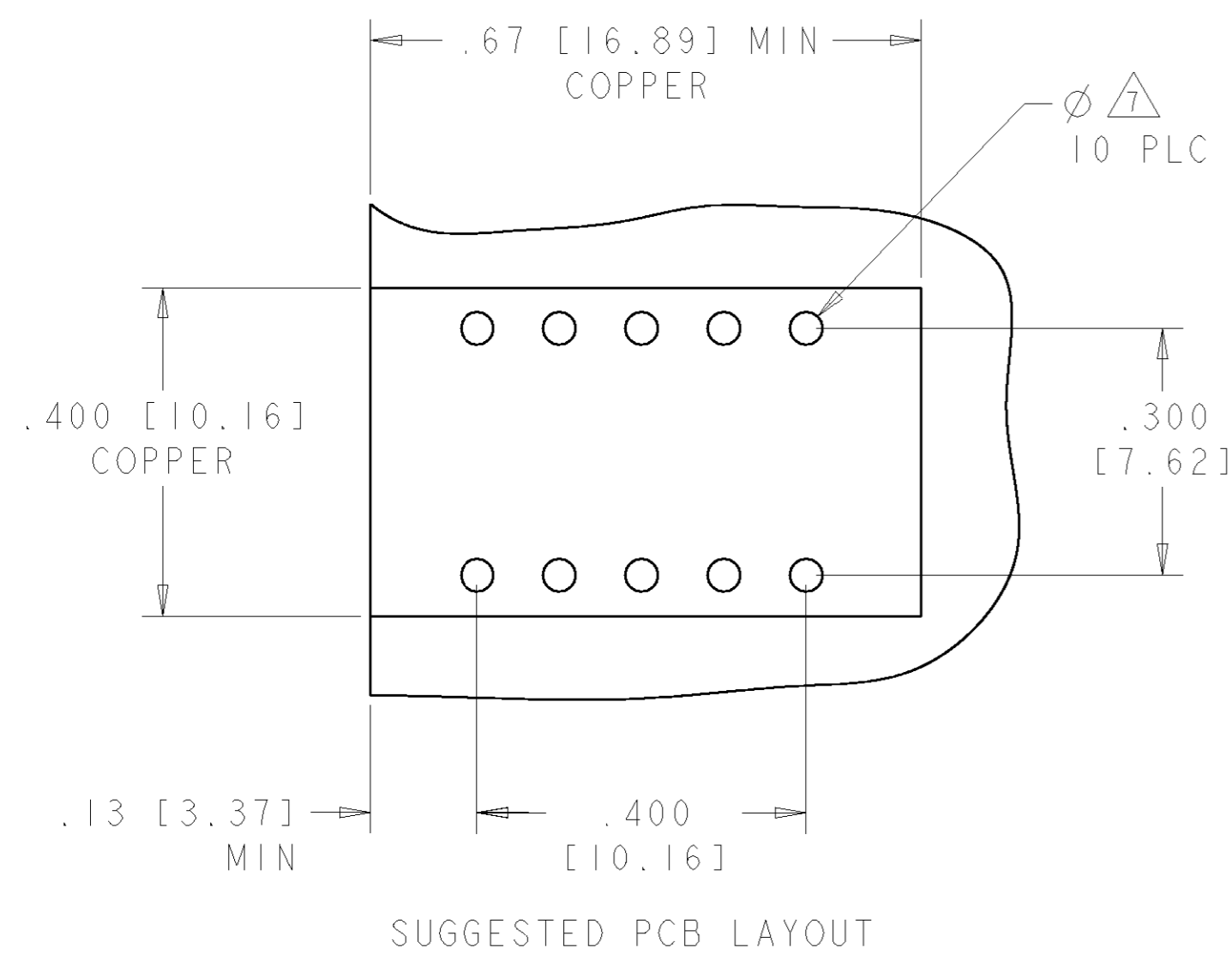


THIS DRAWING IS UNPUBLISHED. RELEASED FOR PUBLICATION 20
 © COPYRIGHT 20 BY TYCO ELECTRONICS CORPORATION. ALL RIGHTS RESERVED.

LOC	DIST	REVISIONS					
GP	00	P	LTR	DESCRIPTION	DATE	DWN	APVD
			A	RELEASED	07FEB2006	RG	PD



- PART NUMBER CHANGES AND/OR DESIGN CHANGES AFFECTING ITEM INTERCHANGEABILITY REQUIRE PRIOR TYCO APPROVAL AND AUTHORIZATION BY REVISION TO THIS DRAWING.
- ITEMS PROVIDED TO THIS SPECIFICATION TO BE IDENTIFIED ON CONTAINER WITH THE FOLLOWING INFORMATION: PART NUMBER AND DATE CODE OF MFR.

3 MATERIALS:
 INSULATOR-POLYESTER, GLASS FILLED UL 94 V-0 RATED
 MODULE-METAL CASTING
 COMPLIANT PINS-PHOSPHOR BRONZE
 CROWN-Be Cu

4 FINISH:
 INSULATOR-COLOR BLACK
 MODULE: SILVER PLATED .000200 [5.08 MICRONS] MIN THK.
 COMPLIANT PINS-TIN PLATED .000040 [1.02 MICRONS] MIN THK.
 OVER NICKEL .000050 [1.27 MICRONS] MIN THK.
 CROWN-GOLD PLATED .00003 [0.8 MICRONS] THK.

ELCON ICCON

THIS DRAWING IS A CONTROLLED DOCUMENT FOR TYCO ELECTRONICS CORPORATION. IT IS SUBJECT TO CHANGE AND THE CONTROLLING ENGINEERING ORGANIZATION SHOULD BE CONTACTED FOR THE LATEST REVISION.		DWN R. GRZYBOWSKI 07FEB2006	AS SHOWN		1926044-1
DIMENSIONS: INCHES		CHK P. DAMATO 07FEB2006	DESCRIPTION		PART NUMBER
TOLERANCES UNLESS OTHERWISE SPECIFIED: 0 PLC ± 1 PLC ± 2 PLC ±.020 [0.50] 3 PLC ±.010 [0.25] 4 PLC ± ANGLES ±.5		APVD S. FLICKINGER 07FEB2006	NAME		ICCON SOCKET, PARALLEL COMPLIANT PIN
MATERIAL		PRODUCT SPEC	SIZE	CAGE CODE	DRAWING NO
		APPLICATION SPEC	A200779	G-1926044	RESTRICTED TO
		WEIGHT	SCALE 5:1		SHEET 1 OF 2
		CUSTOMER DRAWING	REV A		

