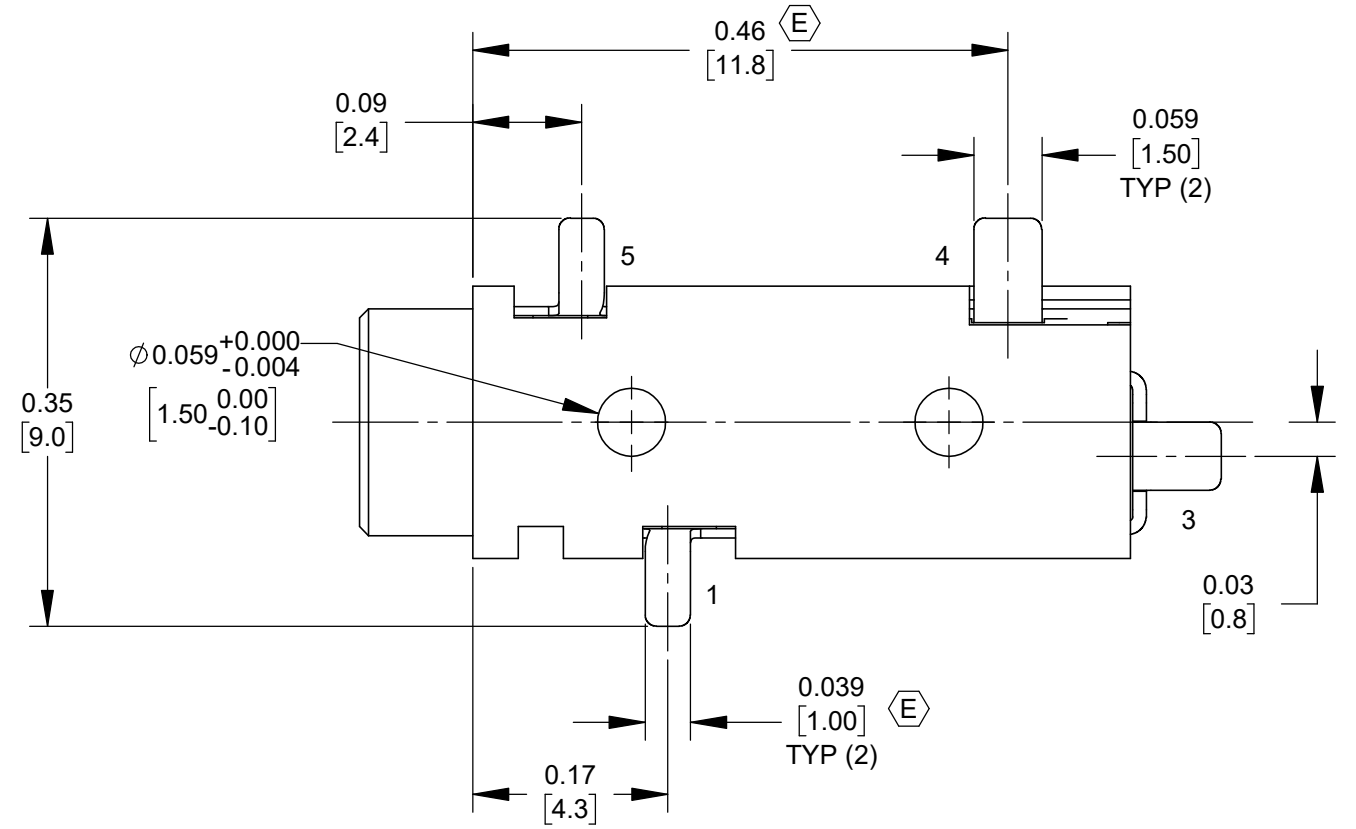
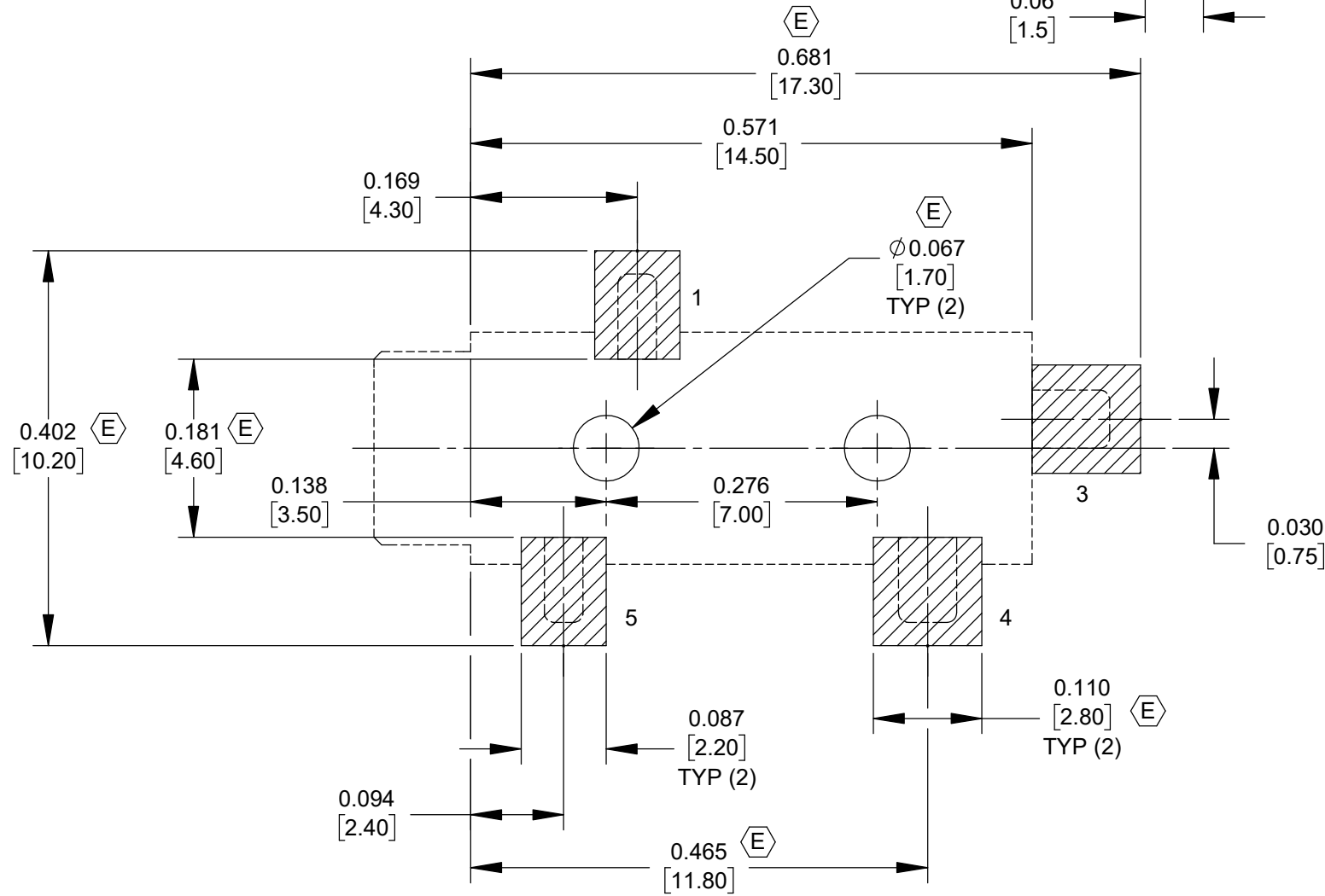
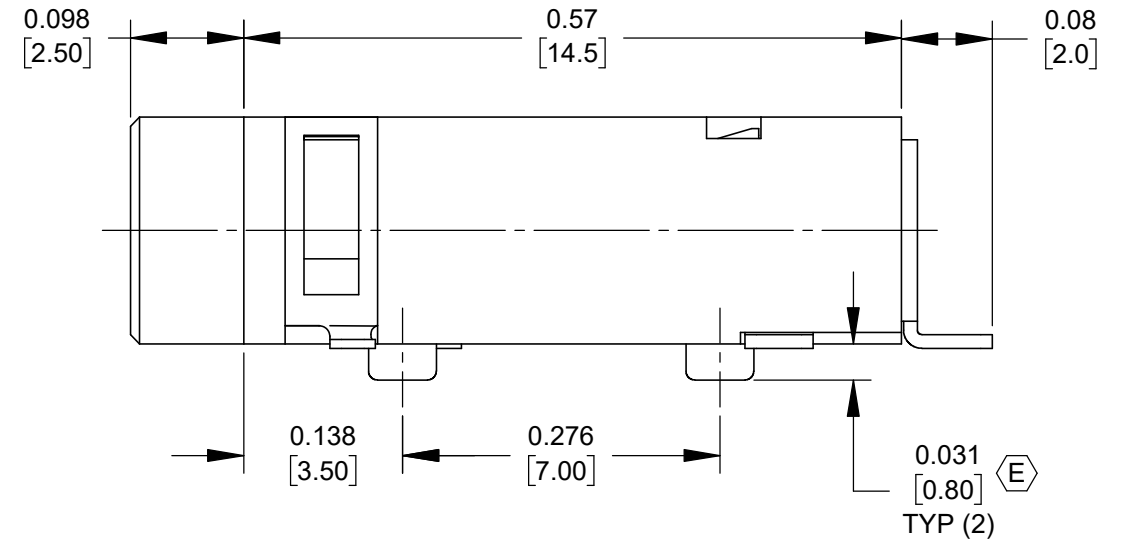
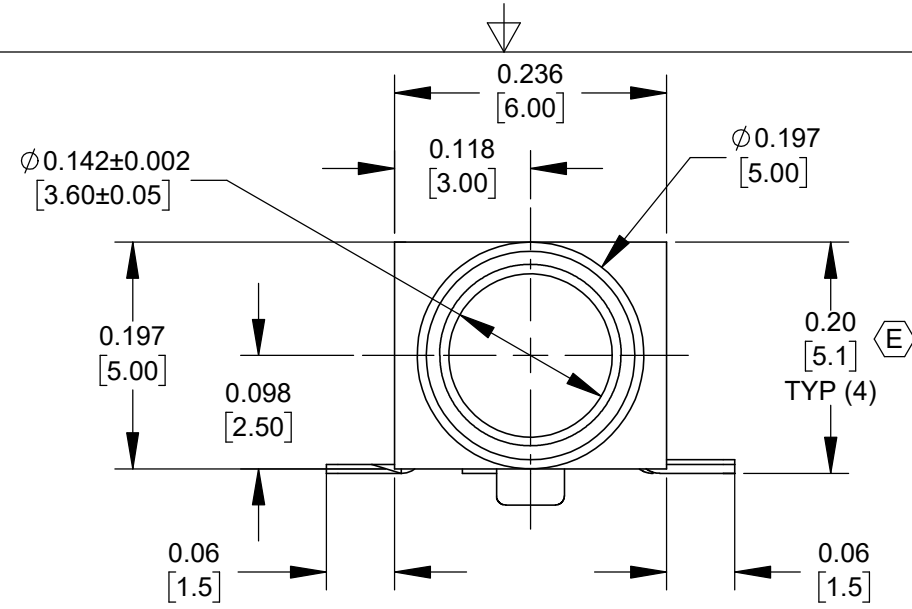


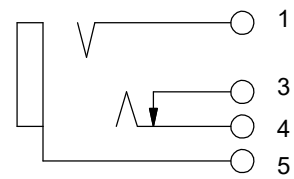
**NOTES:**

1. ALL DIMENSIONS ARE REFERENCE.
2. MATERIALS:  
HOUSING - THERMOPLASTIC, BLACK  
TERMINALS - COPPER ALLOY, GOLD PLATED
3. SUPPLIED ON TAPE AND REEL, SEE SHEET 2.
4. THIS PRODUCT IS RoHS COMPLIANT.



**CUSTOMER DRAWING**

**PCB LAYOUT  
COMPONENT SIDE**



**SCHMATIC**

REV	ECO NUMBER	DATE	BY	APVD
E	REDRAWN 28478	02/23/22	PC	TJK
REVISIONS				

UNLESS OTHERWISE SPECIFIED

1. ALL DIMENSIONS IN INCHES [mm]

- TWO PLACE DECIMALS ±0.02 [0.5]

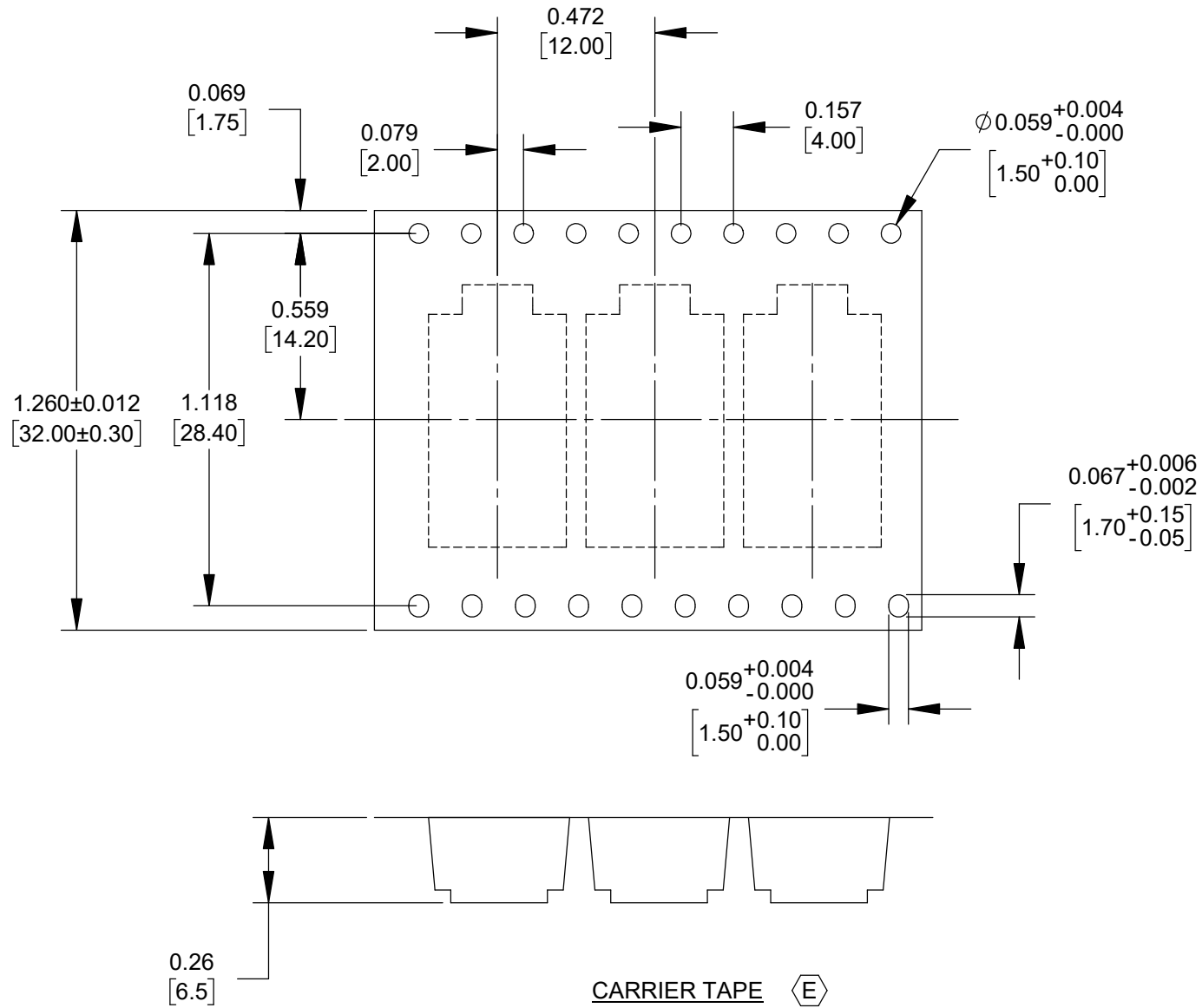
- THREE PLACE DECIMALS ±0.005 [0.13]

**DO NOT SCALE DRAWING**

THIS DRAWING DESCRIBES A DESIGN CONSIDERED PROPRIETARY IN NATURE, DEVELOPED AND MANUFACTURED BY SWITCHCRAFT INC. AND IS RELEASED ON A CONFIDENTIAL BASIS FOR IDENTIFICATION PURPOSES ONLY.									
SIZE	WIDTH	MULT	LBS/M	TEMPER					
FINISH					MATERIAL				
SPEC No.					SPEC No.				
FIRST USED ON					SCALE				
					6:1				
DATE DRAWN	BY	CHKD	APVD						
1/13/06	JL	GG	GG						
			1/13/06						
NAME 3.5 MM PHONE JACK SURFACE MOUNT, RoHS					PART No. 35RASMT3BHNTX				
					SHEET 1 OF 2				
					REV E				

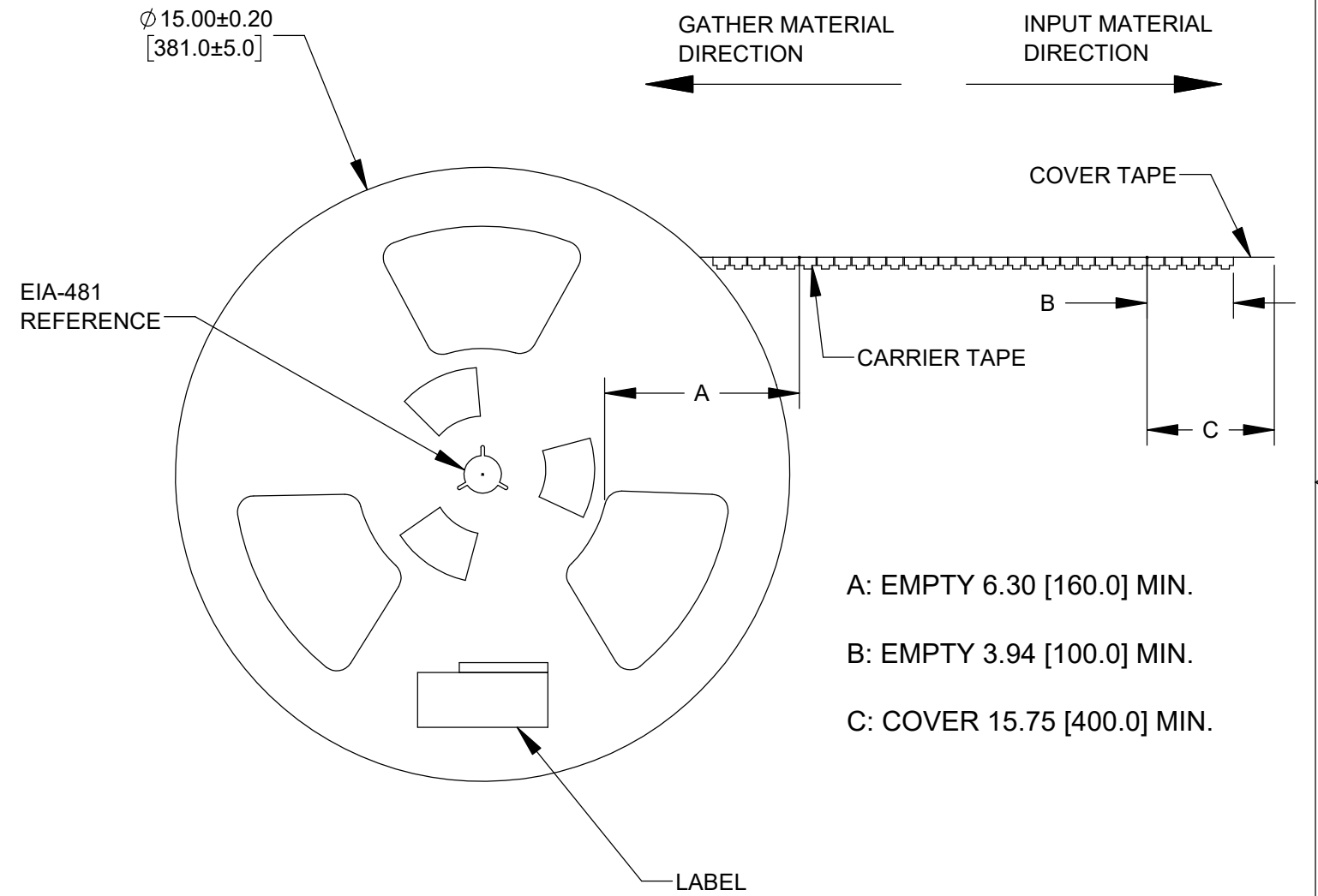
**A: CARRIER SIZE**

1. DETAIL SIZE REFERENCES: EIA-481
2. SPECIFICATIONS: 32 MM X 12 MM
3. COVER TAPE: SPECIFICATION ATTACHED (CONDUCTIVE)



**B: REEL SIZE**

1. QUANTITY: 1000 PCS/REEL
2. MATERIAL: THERMOPLASTIC



- A: EMPTY 6.30 [160.0] MIN.
- B: EMPTY 3.94 [100.0] MIN.
- C: COVER 15.75 [400.0] MIN.

**CUSTOMER DRAWING**

SCALE 2:1	<b>Switchcraft</b> <sup>®</sup>	
DATE DRAWN 1/13/06		
DRAWN BY JL	PART No. 35RASMT3BHNTRX	REV E