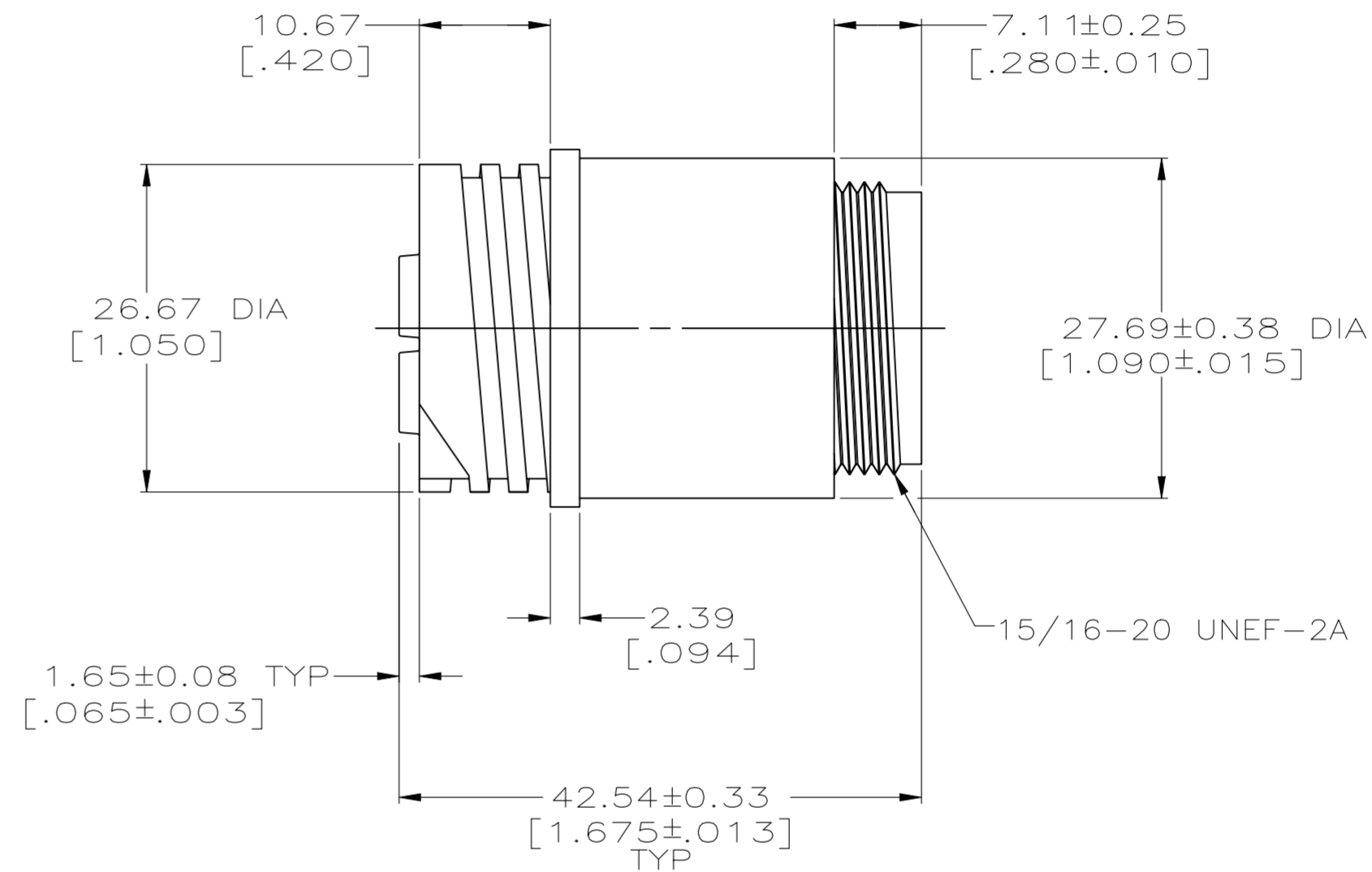
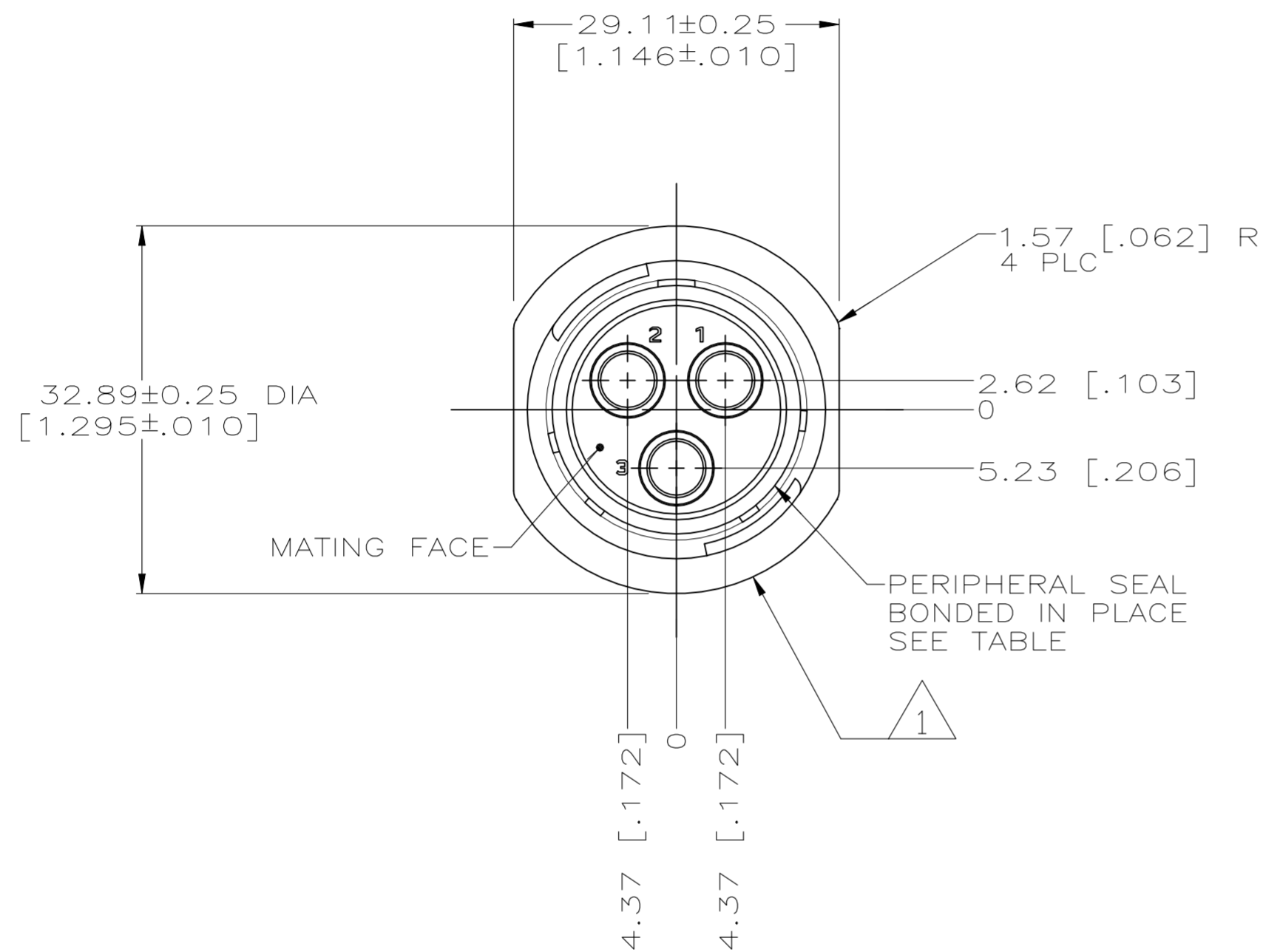


REVISIONS					
P	LTR	DESCRIPTION	DATE	DWN	APVD
B		ECO-21-006943	13OCT2021	RK	MZ



NOTES:

1 TE LOGO AND PART NUMBER MARKED ON ANY FLANGE EDGE

YES	213890-2
NO	213890-1
PERIPHERAL SEAL	PART NUMBER

THIS DRAWING IS A CONTROLLED DOCUMENT.		DWN D.HARDY 06/23/95	STE TE Connectivity		
DIMENSIONS: mm[INCHES]		CHK R.STONE 06/29/95			
TOLERANCES UNLESS OTHERWISE SPECIFIED:		APVD A.FRANTUM 06/29/95	NAME RECEPTACLE HOUSING, REVERSE SEX, SERIES 5, 17-3, CIRCULAR PLASTIC CONNECTOR		
0 PLC ± - 1 PLC ± - 2 PLC ± 0.13 [.005] 3 PLC ± - 4 PLC ± - ANGLES ± -		PRODUCT SPEC 108-1579	SIZE A2	CAGE CODE 00779	DRAWING NO C=213890
MATERIAL NYLON, BLACK	FINISH -	WEIGHT -	SCALE 2:1	SHEET 1 of 1	REV B
CUSTOMER DRAWING			RESTRICTED TO -		