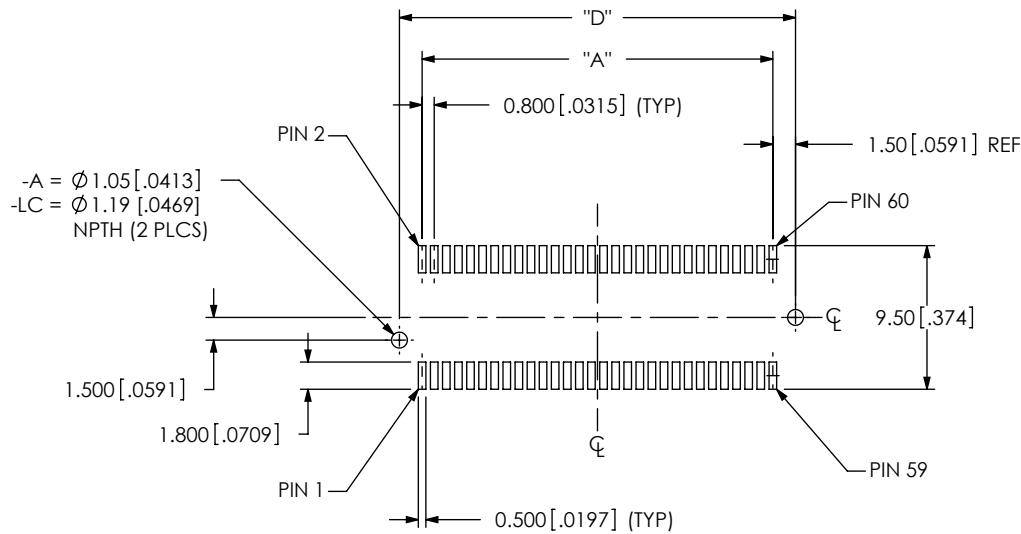


**DESIGNED & DIMENSIONED  
IN MILLIMETERS [INCHES]**

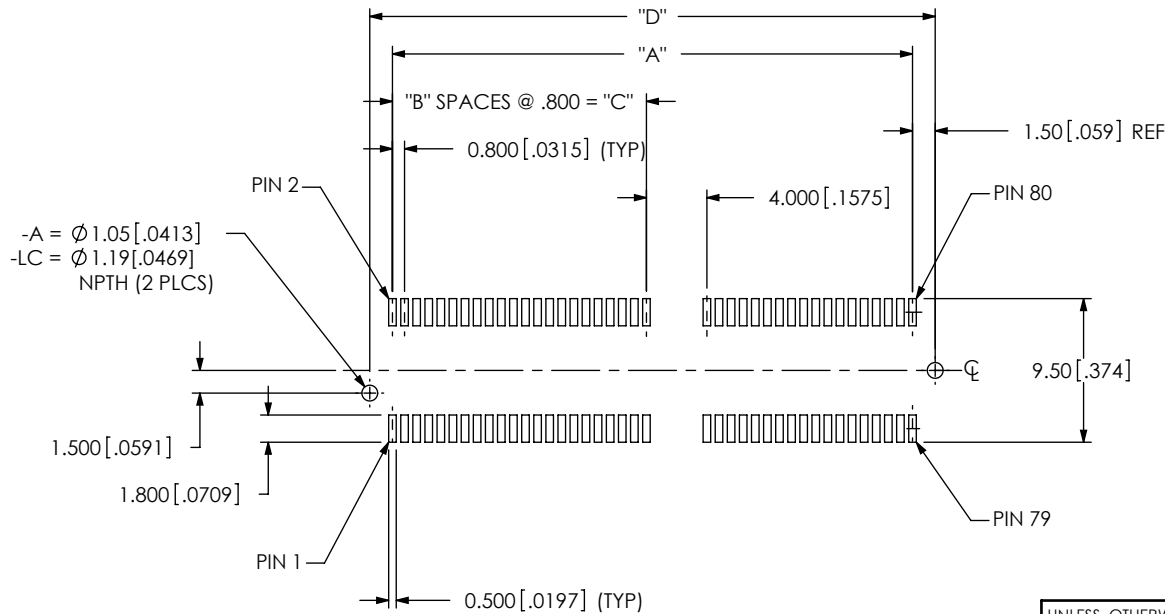


**FIG 1**  
-30 POSITION SHOWN  
(USE FOR 10, 20 & 30 POSITIONS)

TABLE 1				
POSITIONS	"A"	"B"	"C"	"D"
-10	7.200 [.2835]	N/A	N/A	10.200 [.4016]
-20	15.200 [.5984]	N/A	N/A	18.200 [.7165]
-30	23.200 [.9134]	N/A	N/A	26.200 [1.0315]
-35	27.200 [1.0709]	N/A	N/A	30.200 [1.1890]
-40	34.400 [1.3543]	21	16.80 [.661]	37.400 [1.4724]
-45	38.400 [1.5118]	23	18.40 [.724]	41.400 [1.6299]
-50	42.400 [1.6693]	26	20.80 [.819]	45.400 [1.7874]
-60	50.400 [1.9843]	31	24.80 [.976]	53.400 [2.1024]
-70	58.400 [2.2992]	36	28.80 [1.134]	61.400 [2.4173]

NOTES:

- 1. MEASUREMENTS SYMMETRIC ABOUT CENTERLINE



**FIG 2**  
-40 POSITION SHOWN  
(USE FOR 40 THRU 70 POSITIONS)

NOTES:

- 1. MEASUREMENTS SYMMETRIC ABOUT CENTERLINE

UNLESS OTHERWISE SPECIFIED  
TOLERANCES ARE:

DECIMALS

- .X: ±.3 [.01]
- .XX: ±.10 [.004]
- .XXX: ±.050 [.0020]

**PROPRIETARY NOTE**

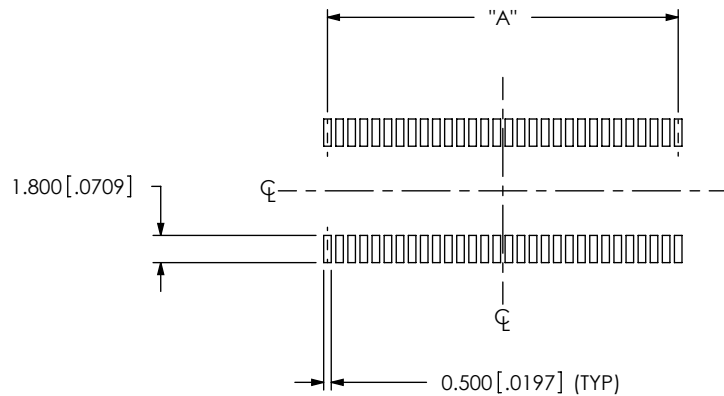
THIS DOCUMENT CONTAINS INFORMATION  
CONFIDENTIAL AND PROPRIETARY TO  
SAMTEC, INC. AND SHALL NOT BE REPRODUCED  
OR TRANSFERRED TO OTHER DOCUMENTS OR  
DISCLOSED TO OTHERS OR USED FOR ANY  
PURPOSE OTHER THAN THAT WHICH IT WAS  
OBTAINED WITHOUT THE EXPRESSED WRITTEN  
CONSENT OF SAMTEC, INC.



520 PARK EAST BLVD, NEW ALBANY, IN 47150  
PHONE: 812-944-6733 FAX: 812-948-5047  
e-Mail info@SAMTEC.com code 55322

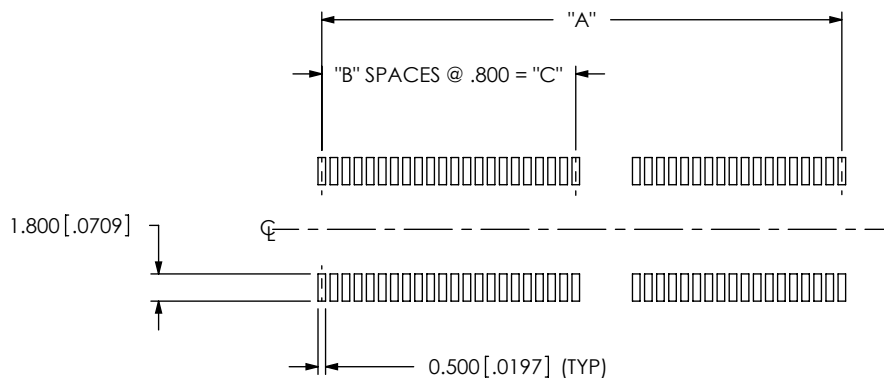
**DESIGNED & DIMENSIONED  
IN MILLIMETERS [INCHES]**

NOTE:  
STENCIL TO BE .006[.15] THICK



**FIG 3**  
-30 POSITION SHOWN  
(SAME AS FIG 1, EXCEPT AS SHOWN)  
(USE FOR 10, 20 & 30 POSITIONS)

NOTE:  
STENCIL TO BE .006[.15] THICK



**FIG 4**  
-40 POSITION SHOWN  
(SAME AS FIG 2, EXCEPT AS SHOWN)  
(USE FOR 40 THRU 70 POSITIONS)

**PROPRIETARY NOTE**  
THIS DOCUMENT CONTAINS INFORMATION  
CONFIDENTIAL AND PROPRIETARY TO  
SAMTEC, INC. AND SHALL NOT BE REPRODUCED  
OR TRANSFERRED TO OTHER DOCUMENTS OR  
DISCLOSED TO OTHERS OR USED FOR ANY  
PURPOSE OTHER THAN THAT WHICH IT WAS  
OBTAINED WITHOUT THE EXPRESSED WRITTEN  
CONSENT OF SAMTEC, INC.

**samtec**

520 PARK EAST BLVD, NEW ALBANY, IN 47150  
PHONE: 812-944-6733 FAX: 812-948-5047  
e-Mail info@SAMTEC.com code 55322

**TABLE 3**

MEC8 LEAD STYLE	"G"
-01	1.000[.0394] ± .100[.0039]
-02	1.600[.0630] ± .160[.0063]

**DESIGNED & DIMENSIONED  
IN MILLIMETERS [INCHES]**

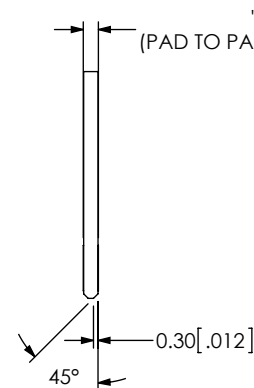
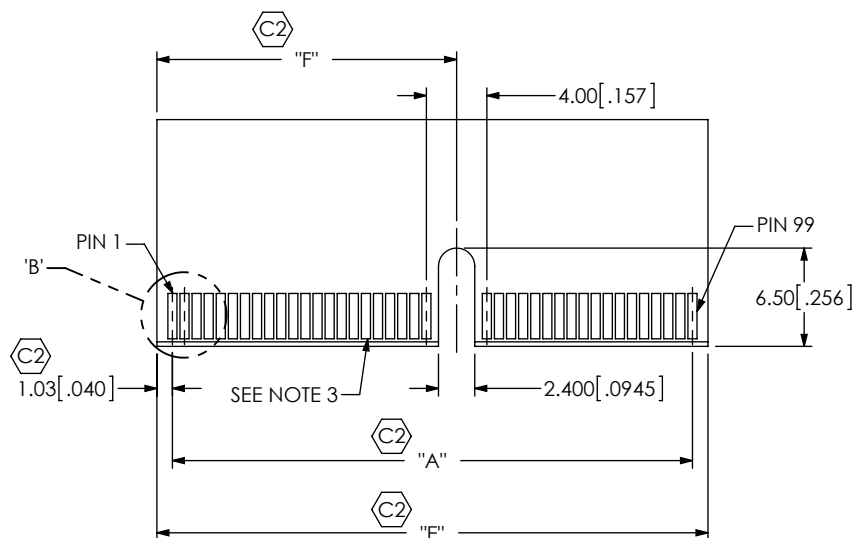
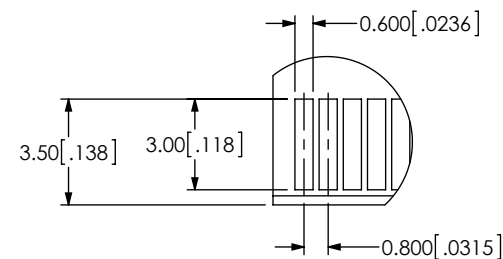
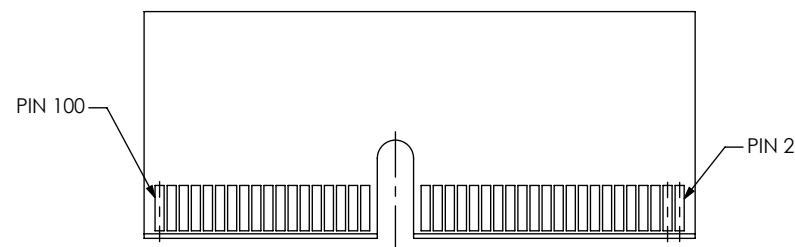


FIG 5  
-50 POSITION SHOWN



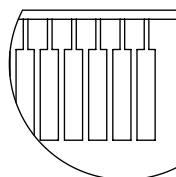
DETAIL 'B'  
SCALE 4 : 1



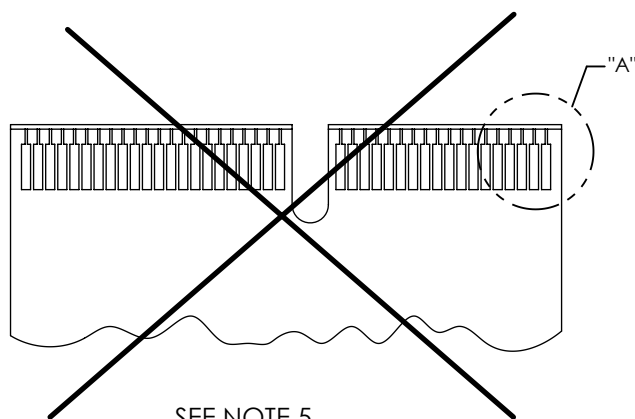
**TABLE 2**

POSITIONS	"E"	"F"
-10	9.26 [.365]	N/A
-20	17.25 [.679]	N/A
-30	25.25 [.994]	N/A
-35	29.25 [1.152]	N/A
-40	36.45 [1.435]	19.83 [.781]
-45	40.45 [1.593]	21.43 [.844]
-50	44.45 [1.750]	23.83 [.938]
-60	52.45 [2.065]	27.83 [1.096]
-70	60.45 [2.380]	31.83 [1.253]

- NOTES:
- 10, -20 AND -30 CARDS HAVE NO SLOT.
  - ALL DIMENSIONS ARE SYMMETRIC ABOUT THE CENTERLINE.
  - PLATING TO BE .000030 INCHES GOLD WITH A HARDNESS OF 130-200 KNOOP PER ASTM B 488 TYPE 2, GRADE C.
  - Ⓢ REPRESENTS CRITICAL DIMENSION.
  - FOR PROPER CONTACT REGISTRATION, PLATING BUS TIE TO BE THE WIDTH OF THE EDGE FINGER.



DETAIL "A"  
SCALE 4 : 1



SEE NOTE 5

**PROPRIETARY NOTE**  
THIS DOCUMENT CONTAINS INFORMATION CONFIDENTIAL AND PROPRIETARY TO SAMTEC, INC. AND SHALL NOT BE REPRODUCED OR TRANSFERRED TO OTHER DOCUMENTS OR DISCLOSED TO OTHERS OR USED FOR ANY PURPOSE OTHER THAN THAT WHICH IT WAS OBTAINED WITHOUT THE EXPRESSED WRITTEN CONSENT OF SAMTEC, INC.

**samtec**

520 PARK EAST BLVD, NEW ALBANY, IN 47150  
PHONE: 812-944-6733 FAX: 812-948-5047  
e-Mail info@SAMTEC.com code 55322