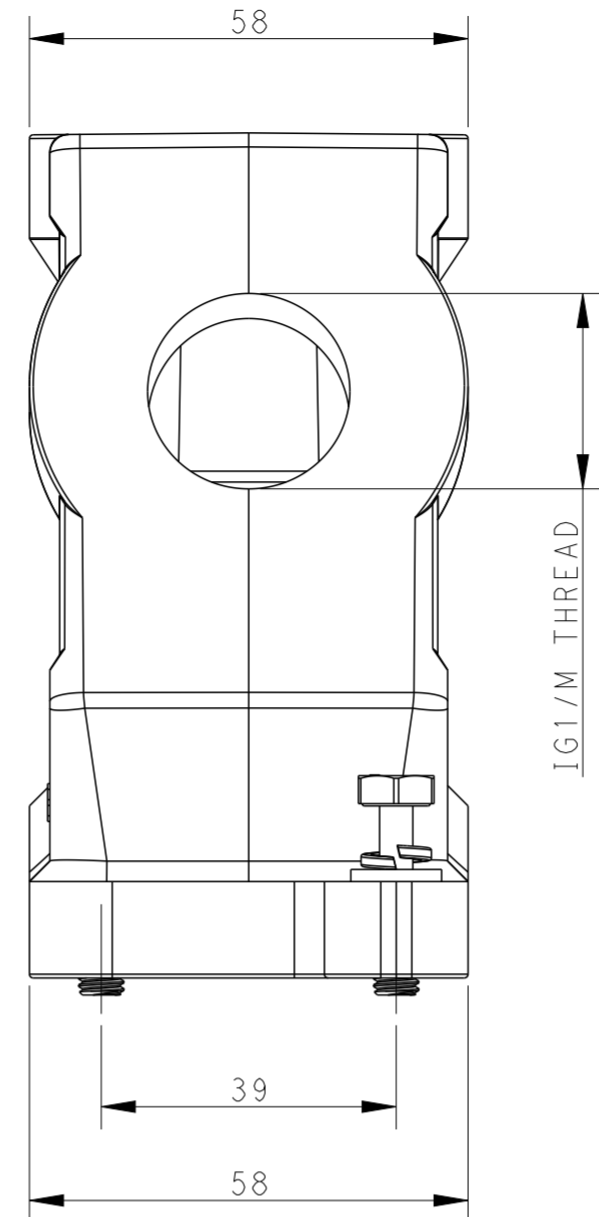
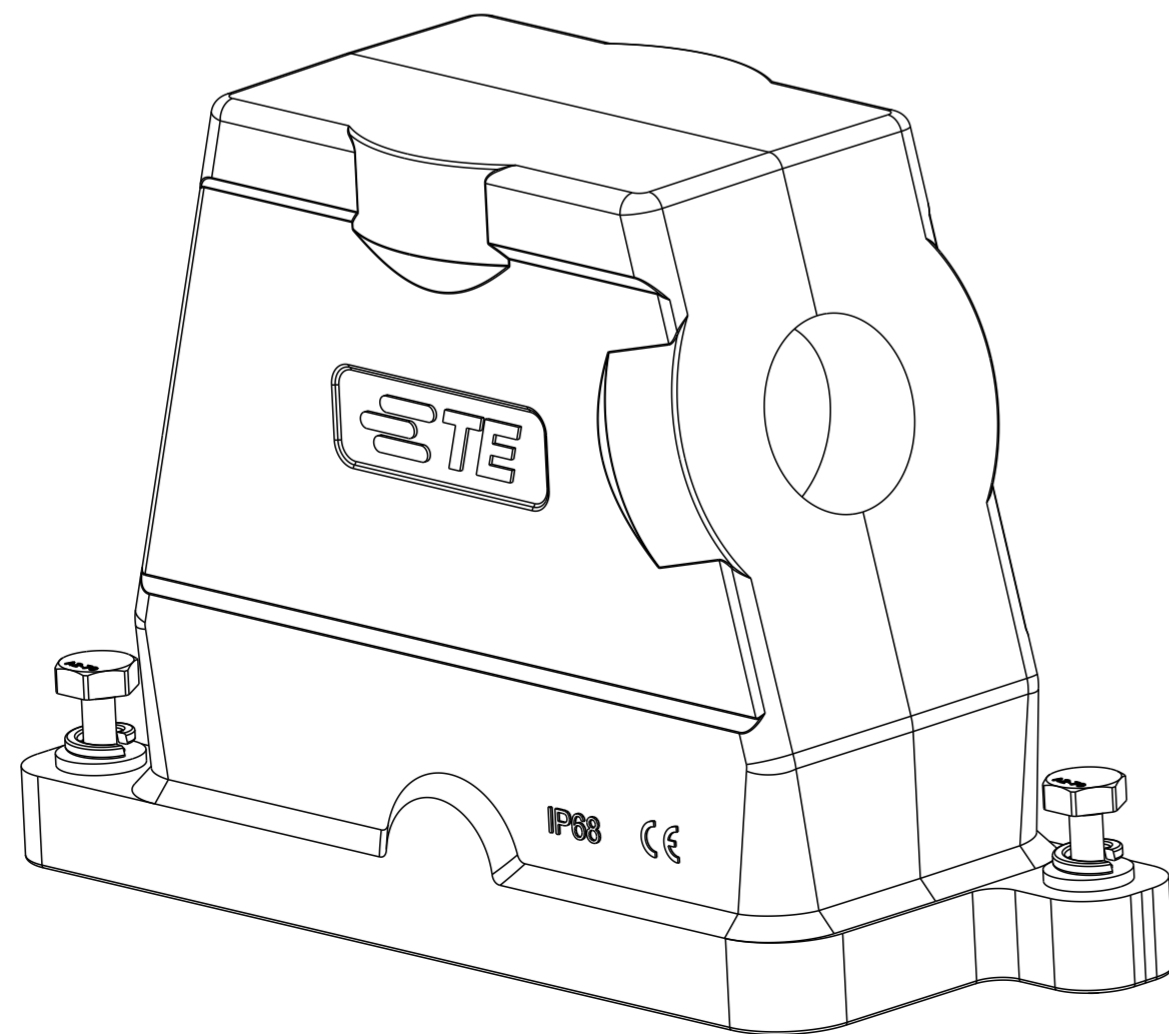
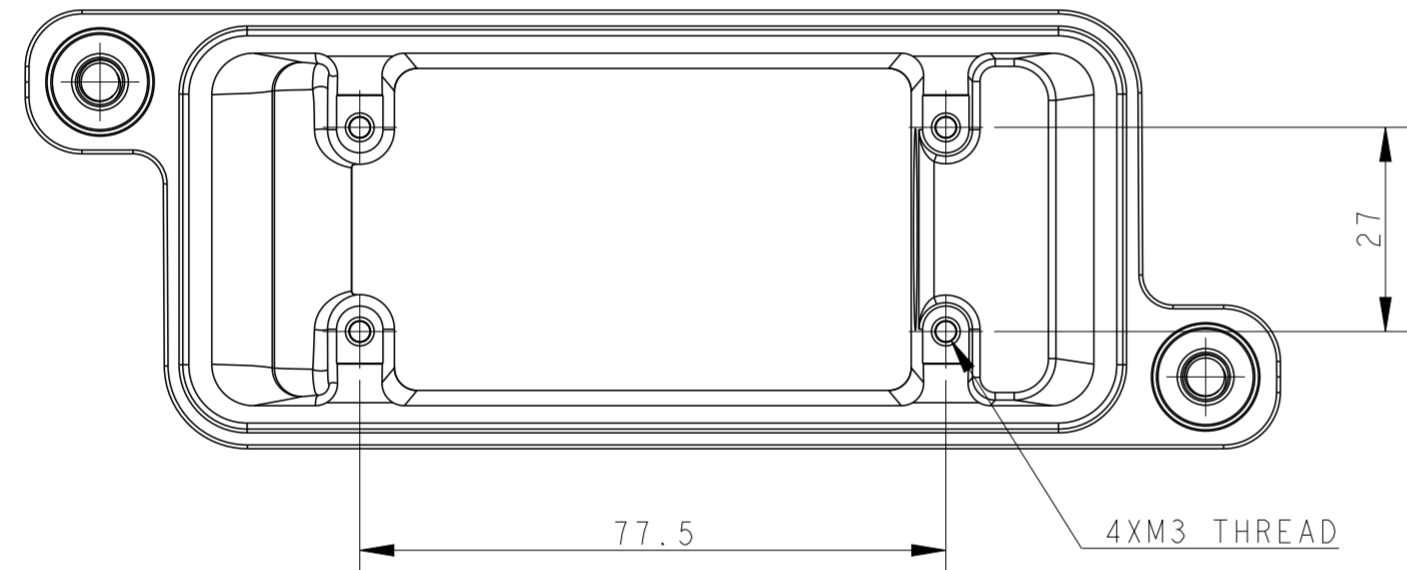
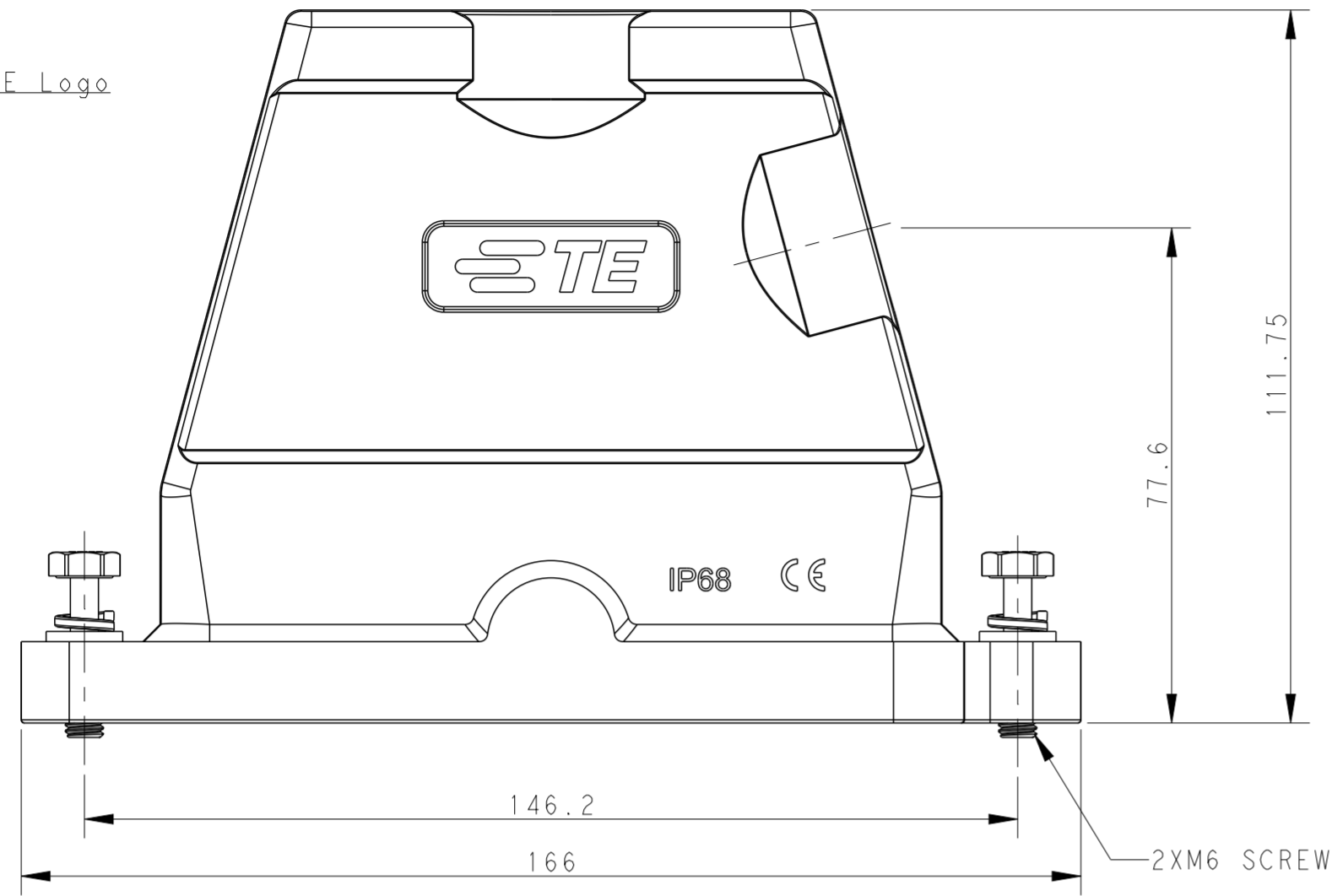


THIS DRAWING IS UNPUBLISHED. RELEASED FOR PUBLICATION 20
 © COPYRIGHT 20 BY - ALL RIGHTS RESERVED.

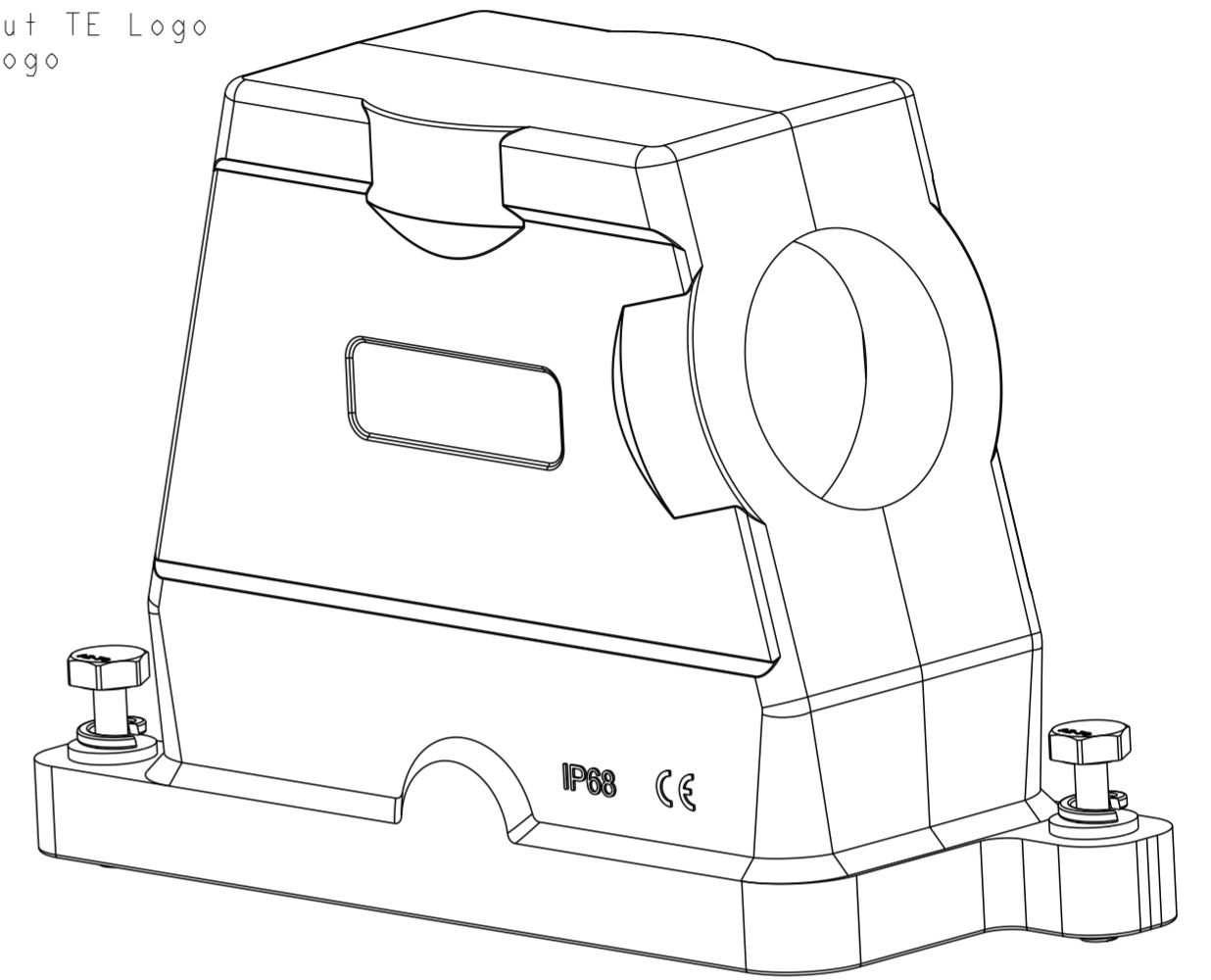
TYPE 1
 类型 1
 Hood with TE Logo
 带TE LOGO上壳



TYPE 2
 类型 2

Hood without TE Logo
 不带TE LOGO上壳

* Without TE Logo
 * 无TE Logo



All dimension is same as TYPE 1, except those defined in this TYPE
 除了在本类型中定义的尺寸外 其它尺寸同类型 1

REVISIONS				
P	LTR	DESCRIPTION	DATE	APVD
A		INITIAL RELEASE	11JUN2015	GY CW
A1		ECR-18-011763	31JUL2018	CD CW
B		ECR-20-012892	12MAY2021	BS CW
B1		ECR-22-129466	15FEB2022	BS CW

NOTES:
 1. TECHNICAL CHARACTERISTICS:
 HOOD MATERIAL: DIE CAST ALUMINIUM ALLOY
 SURFACE TREATMENT: SEE TABLE
 DEGREE OF PROTECTION: IP68 (MATED)

注释
 1. 技术参数:
 壳体材料: 铝合金
 表面处理: 见表格
 防护等级: IP68 (配合)

THIS DRAWING IS A CONTROLLED DOCUMENT.		DWN Gino Yao 11JUN2015	STE TE Connectivity			
		CHK Chris Wang 11JUN2015				
		APVD Xiang Xu 11JUN2015	NAME H16BPR-TSH-PG/M			
DIMENSIONS: mm		PRODUCT SPEC 108-137014	SIZE A2	CAGE CODE -	DRAWING NO. C-T191016XXXXX00	RESTRICTED TO -
TOLERANCES UNLESS OTHERWISE SPECIFIED:		APPLICATION SPEC 114-137014	SCALE 1:1	SHEET 1	OF 2	REV B1
MATERIAL -		WEIGHT -	Customer Drawing			

4

3

2

1

THIS DRAWING IS UNPUBLISHED. RELEASED FOR PUBLICATION 20
 © COPYRIGHT 20 BY - ALL RIGHTS RESERVED.

TYPE 3

类型3


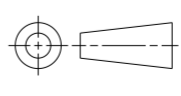
Hood, top & side entry, without TE Logo
 不带TE LOGO顶侧出上壳

REVISIONS

P	LTR	DESCRIPTION	DATE	DWN	APVD
-		SEE SHEET 1	-	-	-

PART NUMBER 料号	SURFACE TREATMENT 表面处理	DESCRIPTION 描述	IG1/M 螺纹孔1	IG2/M 螺纹孔2	TYPE 类型
T1900163240-001	POWDER COATED, DEEP GREY 表面喷涂, 深灰色	H16BPR-TG/SH-M32/M40 H16BPR HOOD, DIAGONAL LOCKING, TOP ENTRY M32, SIDE ENTRY M40, POWDER COATED, DEEP GREY, NO LOGO H16BPR上壳, 对角锁定, 顶出M32侧出M40, 深灰色粉末喷涂, 无LOGO	M40	M32	TYPE 3 类型3
T1910162140-001	POWDER COATED, DEEP GREY 表面喷涂, 深灰色	H16BPR-TSH-M40 H16BPR HOOD, DIAGONAL LOCKING, SIDE ENTRY M40, POWDER COATED, BLACK, NO LOGO H16BPR上壳, 对角锁定, 侧出M40, 深灰色粉末喷涂, 无LOGO	M40	-	TYPE 2 类型2
T1910160140-100	POWDER COATED, BLACK 表面喷涂, 黑色	H16BPR-TSH-M40 H16BPR HOOD, DIAGONAL LOCKING, SIDE ENTRY M40, POWDER COATED, BLACK, NO LOGO H16BPR上壳, 对角锁定, 侧出M40, 黑色粉末喷涂, 无LOGO	M40	-	TYPE 2 类型2
T1910161140-000	POWDER COATED, SILVER WHITE 表面喷涂, 银白色	H16BPR-TSH-M40 H16BPR HOOD, DIAGONAL LOCKING, SIDE ENTRY M40, POWDER COATED, SILVER WHITE H16BPR上壳, 对角锁定, 侧出M40, 银白色粉末喷涂	M40	-	TYPE 1 类型1
T1910161136-000	POWDER COATED, SILVER WHITE 表面喷涂, 银白色	H16BPR-TSH-PG36 H16BPR HOOD, DIAGONAL LOCKING, SIDE ENTRY PG36, POWDER COATED, SILVER WHITE H16BPR上壳, 对角锁定, 侧出PG36, 银白色粉末喷涂	PG36	-	TYPE 1 类型1
T1910161132-000	POWDER COATED, SILVER WHITE 表面喷涂, 银白色	H16BPR-TSH-M32 H16BPR HOOD, DIAGONAL LOCKING, SIDE ENTRY M32, POWDER COATED, SILVER WHITE H16BPR上壳, 对角锁定, 侧出M32, 银白色粉末喷涂	M32	-	TYPE 1 类型1
T1910161129-000	POWDER COATED, SILVER WHITE 表面喷涂, 银白色	H16BPR-TSH-PG29 H16BPR HOOD, DIAGONAL LOCKING, SIDE ENTRY PG29, POWDER COATED, SILVER WHITE H16BPR上壳, 对角锁定, 侧出PG29, 银白色粉末喷涂	PG29	-	TYPE 1 类型1
T1910161125-000	POWDER COATED, SILVER WHITE 表面喷涂, 银白色	H16BPR-TSH-M25 H16BPR HOOD, DIAGONAL LOCKING, SIDE ENTRY M25, POWDER COATED, SILVER WHITE H16BPR上壳, 对角锁定, 侧出M25, 银白色粉末喷涂	M25	-	TYPE 1 类型1
T1910161121-000	POWDER COATED, SILVER WHITE 表面喷涂, 银白色	H16BPR-TSH-PG21 H16BPR HOOD, DIAGONAL LOCKING, SIDE ENTRY PG21, POWDER COATED, SILVER WHITE H16BPR上壳, 对角锁定, 侧出PG21, 银白色粉末喷涂	PG21	-	TYPE 1 类型1
T1910160140-000	POWDER COATED, BLACK 表面喷涂, 黑色	H16BPR-TSH-M40 H16BPR HOOD, DIAGONAL LOCKING, SIDE ENTRY M40, POWDER COATED, BLACK H16BPR上壳, 对角锁定, 侧出M40, 黑色粉末喷涂	M40	-	TYPE 1 类型1
T1910160136-000	POWDER COATED, BLACK 表面喷涂, 黑色	H16BPR-TSH-PG36 H16BPR HOOD, DIAGONAL LOCKING, SIDE ENTRY PG36, POWDER COATED, BLACK H16BPR上壳, 对角锁定, 侧出PG36, 黑色粉末喷涂	PG36	-	TYPE 1 类型1
T1910160132-000	POWDER COATED, BLACK 表面喷涂, 黑色	H16BPR-TSH-M32 H16BPR HOOD, DIAGONAL LOCKING, SIDE ENTRY M32, POWDER COATED, BLACK H16BPR上壳, 对角锁定, 侧出M32, 黑色粉末喷涂	M32	-	TYPE 1 类型1
T1910160129-000	POWDER COATED, BLACK 表面喷涂, 黑色	H16BPR-TSH-PG29 H16BPR HOOD, DIAGONAL LOCKING, SIDE ENTRY PG29, POWDER COATED, BLACK H16BPR上壳, 对角锁定, 侧出PG29, 黑色粉末喷涂	PG29	-	TYPE 1 类型1
T1910160125-000	POWDER COATED, BLACK 表面喷涂, 黑色	H16BPR-TSH-M25 H16BPR HOOD, DIAGONAL LOCKING, SIDE ENTRY M25, POWDER COATED, BLACK H16BPR上壳, 对角锁定, 侧出M25, 黑色粉末喷涂	M25	-	TYPE 1 类型1
T1910160121-000	POWDER COATED, BLACK 表面喷涂, 黑色	H16BPR-TSH-PG21 H16BPR HOOD, DIAGONAL LOCKING, SIDE ENTRY PG21, POWDER COATED, BLACK H16BPR上壳, 对角锁定, 侧出PG21, 黑色粉末喷涂	PG21	-	TYPE 1 类型1

All dimension is same as TYPE 1, except those defined in this TYPE
 除了在本类型中定义的尺寸外 其它尺寸同类型1

THIS DRAWING IS A CONTROLLED DOCUMENT.		DWN Gino Yao 11 JUN 2015	 TE Connectivity
DIMENSIONS: mm		CHK Chris Wang 11 JUN 2015	
TOLERANCES UNLESS OTHERWISE SPECIFIED:		APVD Xiang Xu 11 JUN 2015	NAME H16BPR-TSH-PG/M
		PRODUCT SPEC 108-137014	SIZE A2
MATERIAL		APPLICATION SPEC 114-137014	CAGE CODE
FINISH		WEIGHT	DRAWING NO G-T191016XXXXX00
		Customer Drawing	RESTRICTED TO
		SCALE 1:1	SHEET 2 OF 2
			REV B1

1471-9 (3/13)