

CHARX GBH4I-DC125-2,0M - Vehicle charging inlet



1271834

<https://www.phoenixcontact.com/us/products/1271834>

Please be informed that the data shown in this PDF document is generated from our online catalog. Please find the complete data in the user documentation. Our general terms of use for downloads are valid.



CHARX connect universal, Vehicle charging inlet, for charging with direct current (DC), DC GB/T, GB/T 20234.3-2015, 125 A / 1000 V (DC), Single wires, length: 2 m, Front and rear mounting, M6, housing: black, A protective cap is supplied as standard for the DC contacts.

Product description

Vehicle charging inlets for charging with direct current (DC), compatible with GB/T vehicle charging connectors (EVSE), for installation in electric vehicles (EV).

Commercial data

Item number	1271834
Packing unit	1 pc
Minimum order quantity	1 pc
Sales key	EM01
Product key	XWCAIG
GTIN	4063151463151
Weight per piece (including packing)	3,000 g
Weight per piece (excluding packing)	3,000 g
Customs tariff number	85444290
Country of origin	PL

CHARX GBH4I-DC125-2,0M - Vehicle charging inlet



1271834

<https://www.phoenixcontact.com/us/products/1271834>

Technical data

Notes

General	A protective cap is supplied as standard for the DC contacts.
---------	---

Product properties

Product type	Vehicle charging inlet
Product family	CHARX connect universal
Application	for charging with direct current (DC) for installation in electric vehicles (EV)
Charging standard	DC GB/T
Charging mode	Mode 4

Electrical properties

Note on the connection method	Crimp connection, cannot be disconnected
Coding	1 k Ω (between PE and CC1)
Temperature measurement	DC contacts: 2x PT1000 (DIN EN 60751)
Type of charging current	DC
Charging power	125 kW
Charging current	125 A
Type of charging current	DC Boost Mode
Charging power	up to 250 kW (Boost Mode, depending on the ambient conditions. For detailed information, see the packing slip in the download area for this item.)
Charging current	up to 250 A (Boost Mode, depending on the ambient conditions. For detailed information, see the packing slip in the download area for this item.)

Power contact

Number	3 (DC+, DC-, PE)
Rated voltage	1000 V DC
Rated current	125 A DC

Signal contact

Number	6 (S+, S-, A+, A-, CC1, CC2)
Rated voltage	30 V AC
Rated current	2 A

Temperature sensors (Pt 1000)

Sensor type	Pt 1000
Standards/regulations	DIN EN 60751
Attachment point	2 sensors for the DC contacts

Material specifications

Color (Housing)	black (9005)
Color (Mating face)	black (9005)

CHARX GBH4I-DC125-2,0M - Vehicle charging inlet



1271834

<https://www.phoenixcontact.com/us/products/1271834>

Material (Housing)	Plastic
Material (Contact surface)	Silver

Cable/line

Cable length	2 m
Cable type	Single wires

Single-core wires for DC

Cable length	2 m
Cable structure	2 x 35 mm ²
Single wire, material	Silicone
Single wire, color	OG
External cable diameter	14.1 mm ±0.3 mm
Cable resistance	≤ 0.527 Ω/km

Single-core wire for PE

Cable length	2 m
Cable structure	1 x 25 mm ²
Single wire, material	Silicone
Single wire, color	GN/YE
External cable diameter	8.6 mm ±0.1 mm
Cable resistance	≤ 0.743 Ω/km

Single-core wires for locking actuator

Cable length	1 m
Cable structure	4 x 0.5 mm ²
Single wire, material	PVC
Single wire, color	BU/RD, BU/GN, BU/YE, BU/BN
External cable diameter	1.6 mm ±0.20 mm
Cable resistance	≤ 37.1 Ω/m

Single-core wires for Pt 1000 temperature sensors

Cable length	1 m
Cable structure	3 x 0.5 mm ²
Single wire, material	PVC
Single wire, color	BN GN YE
External cable diameter	1.6 mm ±0.20 mm
Cable resistance	≤ 37.1 Ω/m

Single-core wires for communication

Cable length	1 m
Cable structure	2 x 0.5 mm ²
Single wire, material	PVC
Single wire, color	BK

CHARX GBH4I-DC125-2,0M - Vehicle charging inlet



1271834

<https://www.phoenixcontact.com/us/products/1271834>

	WH
External cable diameter	1.6 mm ±0.20 mm
Cable resistance	≤ 37.1 Ω/m

Mechanical properties

Mechanical data

Insertion/withdrawal cycles	> 10000
Insertion force	< 100 N
Withdrawal force	< 100 N

Environmental and real-life conditions

Ambient conditions

Degree of protection (Vehicle charging inlet)	IP55 (plugged in; when plugged in and ready to operate, the degree of protection is only ensued if both plug-in components are original products from Phoenix Contact or suitable standard-compliant products)
	IP67 (Inner area of vehicle charging inlet)
Altitude	4000 m (above sea level)

Standards and regulations

Standards

Standards/regulations	GB/T 20234.3-2015
-----------------------	-------------------

Mounting

Mounting type	Front and rear mounting (0 to 90 degree frontal inclination possible)
Mounting hole diameter	6.70 mm (ø)
Fixing screws	M6
Screws included in the scope of delivery	none

CHARX GBH4I-DC125-2,0M - Vehicle charging inlet

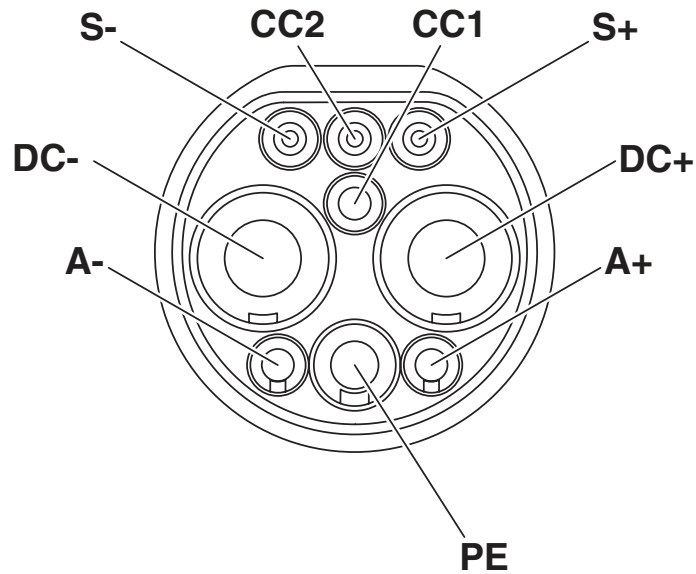


1271834

<https://www.phoenixcontact.com/us/products/1271834>

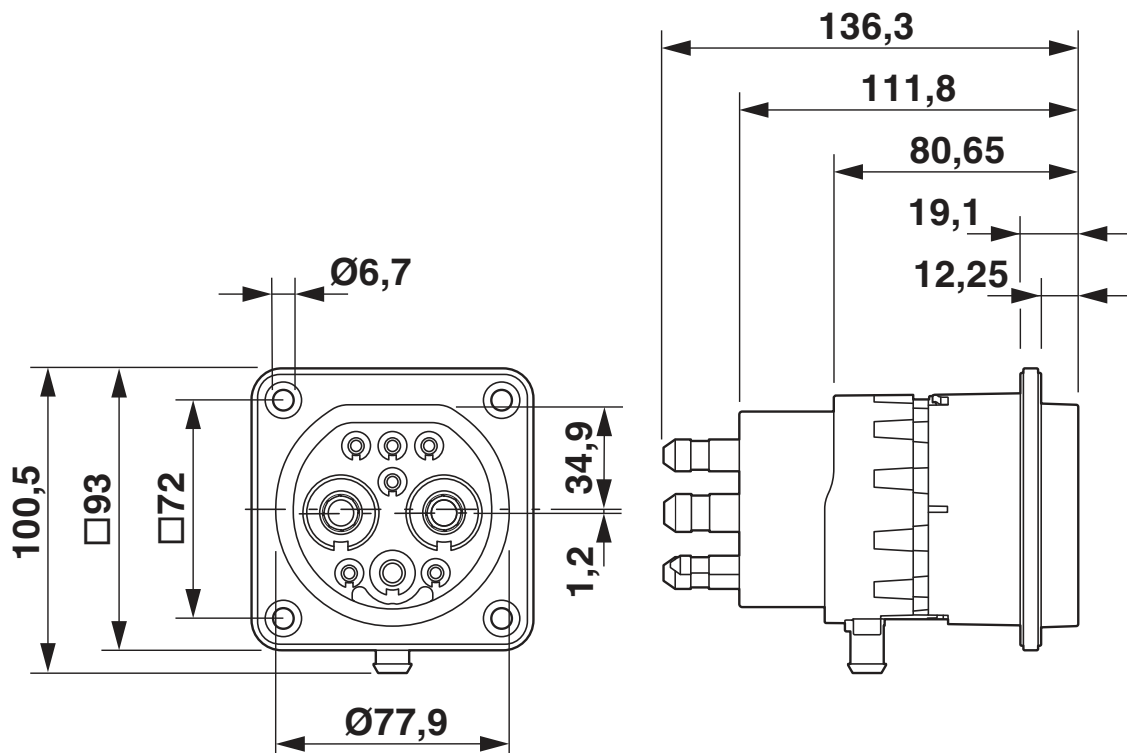
Drawings

Connection diagram



Pin assignment of vehicle charging inlets

Dimensional drawing



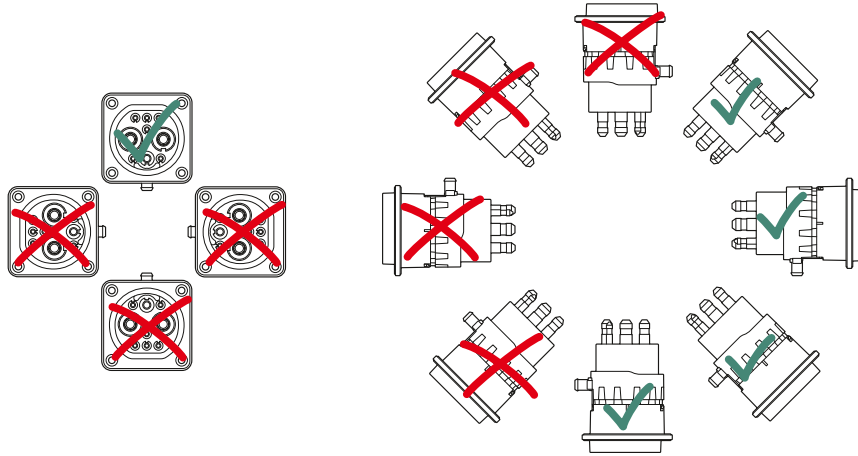
Dimensional drawing

CHARX GBH4I-DC125-2,0M - Vehicle charging inlet

1271834

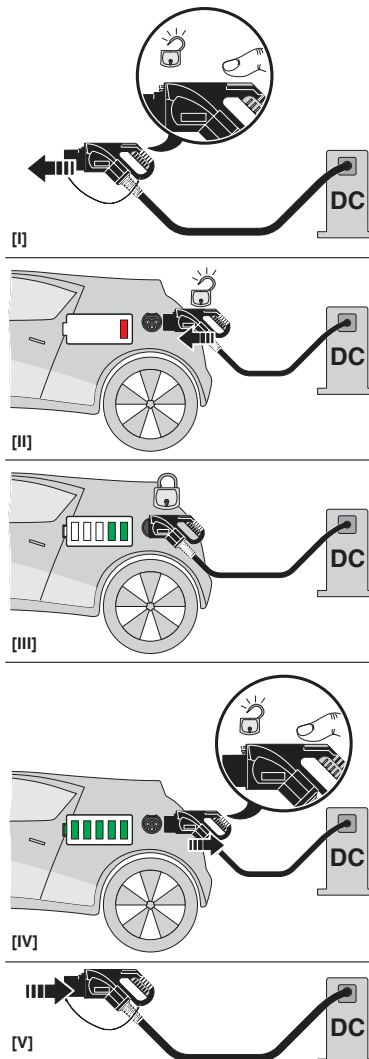
<https://www.phoenixcontact.com/us/products/1271834>

Connection diagram



Installation positions

Schematic diagram



Operating instructions

CHARX GBH4I-DC125-2,0M - Vehicle charging inlet



1271834

<https://www.phoenixcontact.com/us/products/1271834>

Classifications

ECLASS

ECLASS-11.0	27144706
ECLASS-12.0	27144706
ECLASS-13.0	27144706

ETIM

ETIM 8.0	EC002898
----------	----------

UNSPSC

UNSPSC 21.0	39121800
-------------	----------

CHARX GBH4I-DC125-2,0M - Vehicle charging inlet



1271834

<https://www.phoenixcontact.com/us/products/1271834>

Environmental product compliance

REACH SVHC	Lead 7439-92-1
	DOT 15571-58-1
China RoHS	Environmentally Friendly Use Period = 10;
	For information on hazardous substances, refer to the manufacturer's declaration available under "Downloads"

Phoenix Contact 2023 © - all rights reserved
<https://www.phoenixcontact.com>

Phoenix Contact USA
586 Fulling Mill Road
Middletown, PA 17057, United States
(+717) 944-1300
info@phoenixcon.com