

10 9 8 7 6 5 4 3 2 1

F

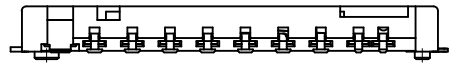
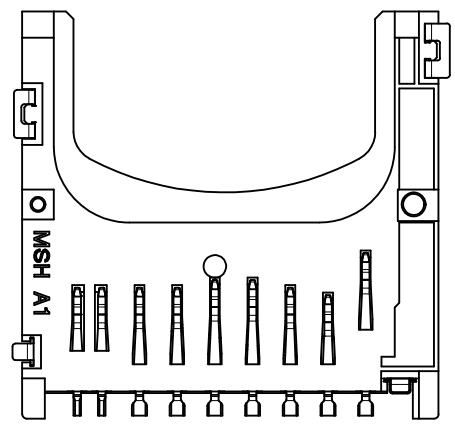
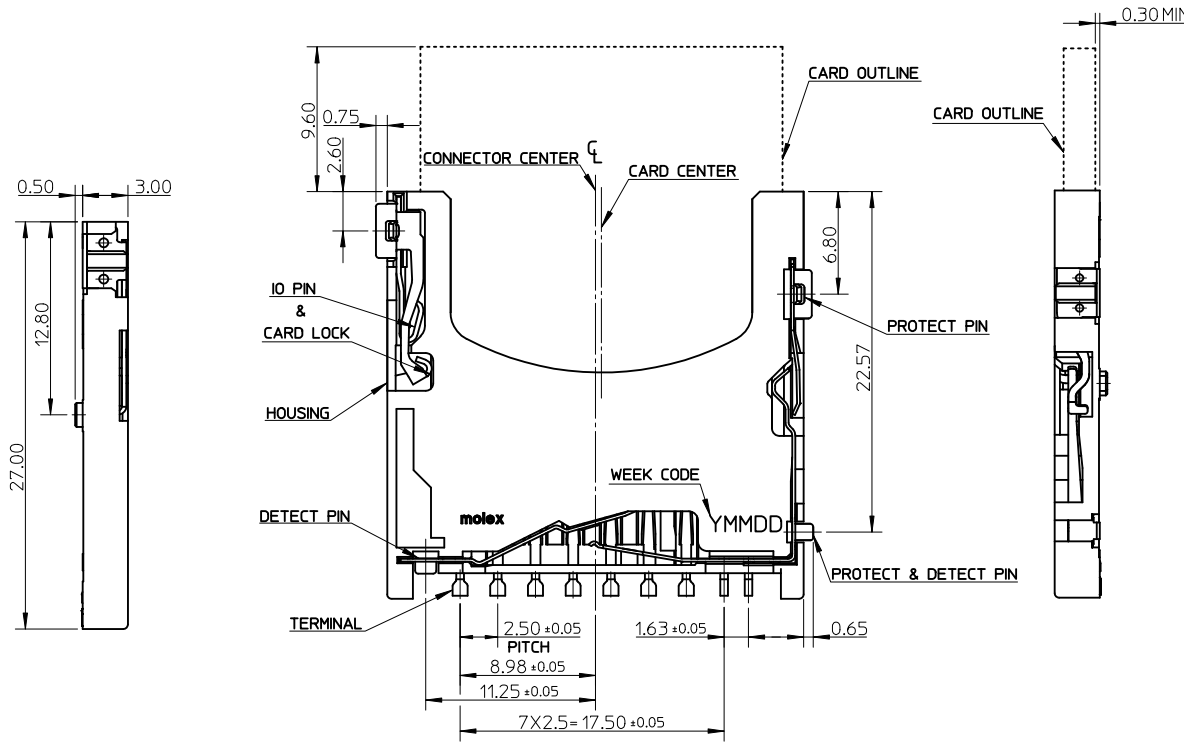
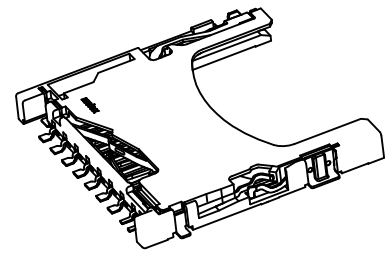
E

D

C

B

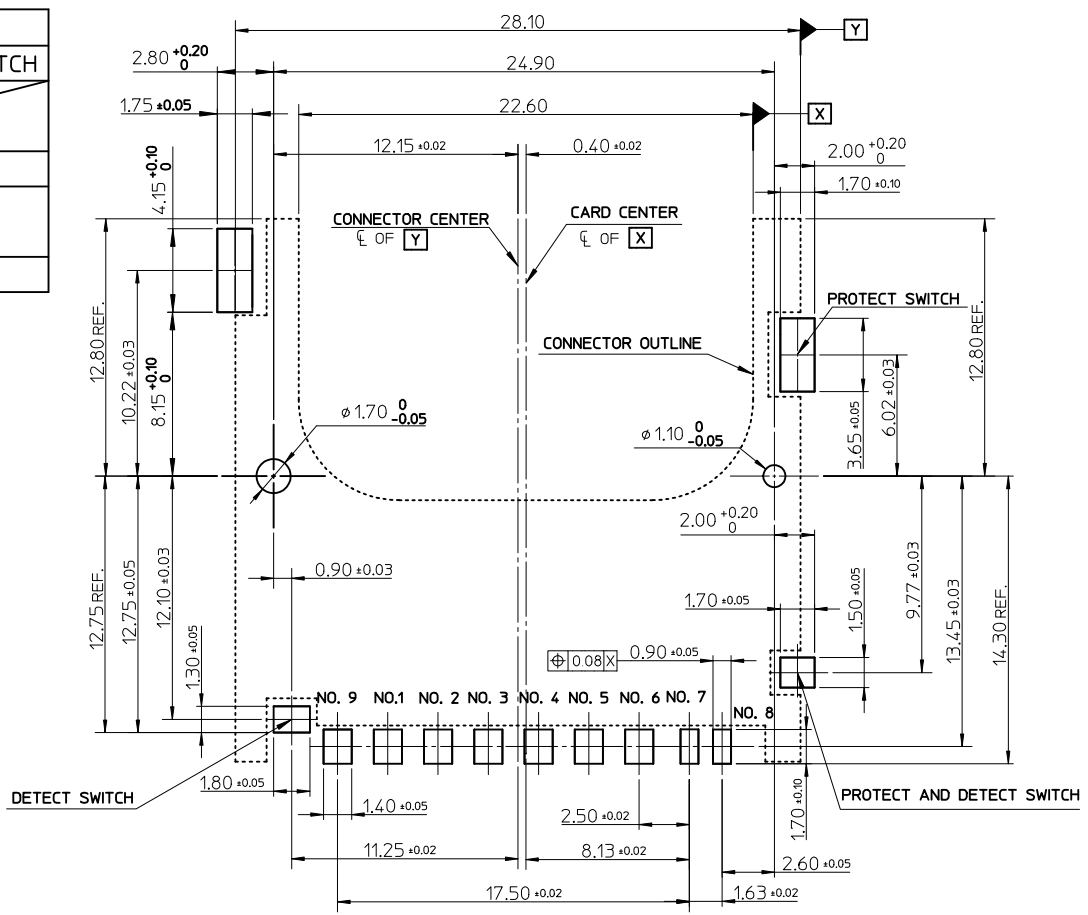
A



REVISED EC NO: SH2010-0390 DRWN: XQZHANG CHYKD: GLLI APPR: XJSONG 2010/04/07 2010/04/13 2010/05/18	QUALITY SYMBOLS $F_{\Delta} = 0$ $F_{\square} = 0$ $F_{\nabla} = 0$	GENERAL TOLERANCES (UNLESS SPECIFIED)		DIMENSION STYLE MM ONLY		SCALE 1:1	DESIGN UNITS METRIC	THIRD ANGLE PROJECTION	
			mm	INCH	DRAWN BY	DATE	TITLE		
		4 PLACES	± ---	± ---	QLZHANG	2004/12/01	SD MEMORY CARD CONNECTOR		
		3 PLACES	± ---	± ---	CHECKED BY	DATE	NORMAL TYPE(NO PUSH FUNCTION, LEAD-FREE)		
			2 PLACES	± 0.25	± ---	HARVEY	2004/12/01	MOLEX INCORPORATED	
			1 PLACE	± 0.25	± ---	APPROVED BY	DATE	MATERIAL NO.	
			ANGULAR ± 2 °			XJSONG	2010/04/14	DOCUMENT NO.	
			DRAFT WHERE APPLICABLE MUST REMAIN WITHIN DIMENSIONS			67781-8001		SD-67781-004	
					SIZE	THIS DRAWING CONTAINS INFORMATION THAT IS PROPRIETARY TO MOLEX INCORPORATED AND SHOULD NOT BE USED WITHOUT WRITTEN PERMISSION			
					A3			SHEET NO. 1 OF 3	

9 8 7 6 5 4 3 2 1

OPENING AND CLOSE OF EACH SWITCH			
CARD INSERTION STATUS	WRITE PROTECT SWITCH		CARD DETECT SWITCH
	WRITE PROTECT POSITION	WRITE ENABLE POSITION	
CARD UNINSERTION	OPEN	OPEN	OPEN
CARD INSERTION PROCESS	CLOSE	CLOSE	OPEN
CARD INSERTION	OPEN	CLOSE	CLOSE

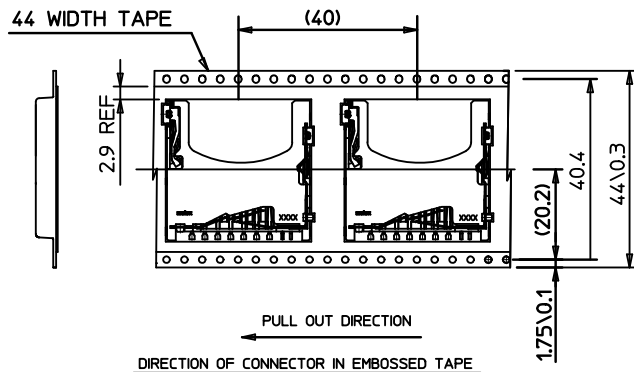
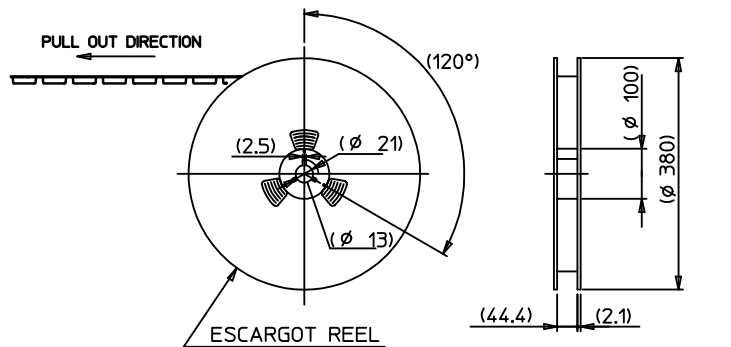


RECOMMENDED P.C.B. PATTERN LAYOUT

NOTES :

- MATERIAL :  
HOUSING : HEAT RESISTANCE POLYMER, UL94-V0, BLACK.  
TERMINAL : COPPER ALLOY.  
PLATING : SELECTIVE GOLD PLATING  
PROTECT PIN : COPPER ALLOY.  
PLATING : CONTACT AREA : SELECTIVE GOLD PLATING .  
PROTECT AND DETECT PIN : COPPER ALLOY.  
PLATING : CONTACT AREA : SELECTIVE GOLD PLATING.  
DETECT PIN : COPPER ALLOY.  
PLATING : CONTACT AREA : SELECTIVE GOLD PLATING.  
CARD LOCK PIN : STAINLESS STEEL.
- PLATING OF SOLDER AREA FOR ALL TERMINALS AND PINS : PURE TIN PLATING.
- PLATING OF UNDER PLATING FOR ALL TERMINALS AND PINS : NICKEL PLATING.
- TERMINALS AND PINS COPLANARITY TO BE 0.1mm MAXIMUM.
- PRODUCT SPECIFICATION REFER TO PS-67781-001.
- PACKAGE INFORMATION REFER TO PK-67781-001.

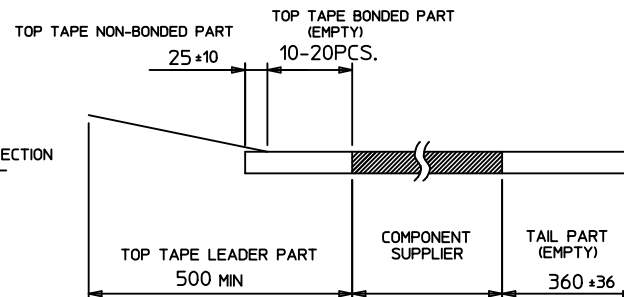
SEE SHEET 1 EC NO: SH2010-0390 DRWN:XZHZHANG CHKD:GLLI APPR:XJSONG	2010/04/07 2010/04/13 2010/05/18	DESCRIPTION REV	QUALITY SYMBOLS	GENERAL TOLERANCES (UNLESS SPECIFIED)	DIMENSION STYLE	SCALE	DESIGN UNITS	THIRD ANGLE PROJECTION
			$\nabla = 0$	mm INCH	MM ONLY	1:1	METRIC	
			$\nabla = 0$	4 PLACES ± --- ± ---	DRAWN BY DATE	TITLE		
			$\nabla = 0$	3 PLACES ± --- ± ---	CHECKED BY DATE	SD MEMORY CARD CONNECTOR		
			2 PLACES ± 0.25 ± ---	HARVEY 2004/12/01			NORMAL TYPE(NO PUSH FUNCTION,LEAD-FREE)	
			1 PLACE ± 0.25 ± ---	APPROVED BY DATE			MOLEX INCORPORATED	
			ANGULAR ± 2 °	XJSONG 2010/04/14				
				MATERIAL NO.				
				67781-8001				
				DRAFT WHERE APPLICABLE MUST REMAIN WITHIN DIMENSIONS	SIZE			
					A3			
					THIS DRAWING CONTAINS INFORMATION THAT IS PROPRIETARY TO MOLEX INCORPORATED AND SHOULD NOT BE USED WITHOUT WRITTEN PERMISSION			



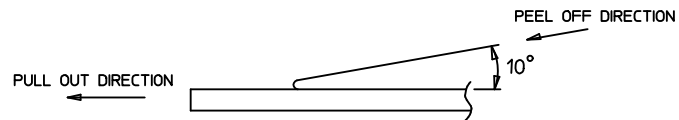
**NOTES**

1. NUMBER OF CONNECTORS: 400 PCS/REEL

2.



3. PEEL-OFF FORCE OF TOP TAPE: 0.1 - 1.3 N (10.2 - 130gf)  
(PEELING DIRECTION AS SHOWN IN FOLLOWING FIG.)  
<PEEL-OFF SPEED:300mm/min (REF)>



SEE SHEET 1 EC NO: SH2010-0390 DRWN:XQZHANG CHKD:GLLI APPR:XJSONG	2010/04/07 2010/04/13 2010/05/18	DESCRIPTION REV	QUALITY SYMBOLS	GENERAL TOLERANCES (UNLESS SPECIFIED)		DIMENSION STYLE		SCALE	DESIGN UNITS	THIRD ANGLE PROJECTION	
			$F_{\sigma} = 0$ $F_{\sigma} = 0$ $F_{\sigma} = 0$	mm	INCH	MM ONLY	1:1	METRIC			
			4 PLACES ± --- ± --- 3 PLACES ± --- ± --- 2 PLACES ± 0.25 ± --- 1 PLACE ± 0.25 ± ---	DRAWN BY: QLZHANG DATE: 2004/12/01		CHECKED BY: HARVEY DATE: 2004/12/01		APPROVED BY: XJSONG DATE: 2010/04/14		TITLE: SD MEMORY CARD CONNECTOR NORMAL TYPE(NO PUSH FUNCTION,LEAD-FREE)	
			ANGULAR ± 2 °	DRAFT WHERE APPLICABLE MUST REMAIN WITHIN DIMENSIONS		MATERIAL NO. 67781-8001		DOCUMENT NO. SD-67781-004		SHEET NO. 3 OF 3	