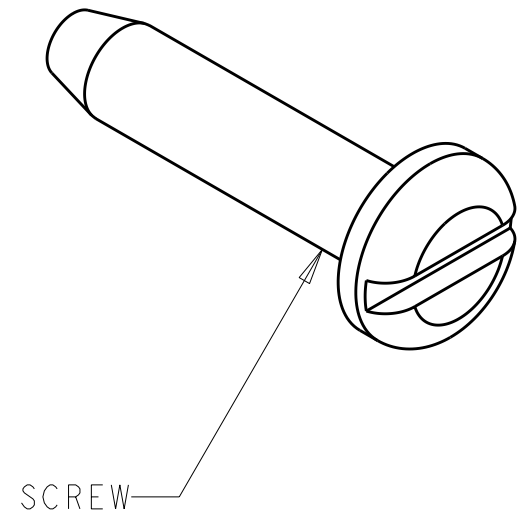
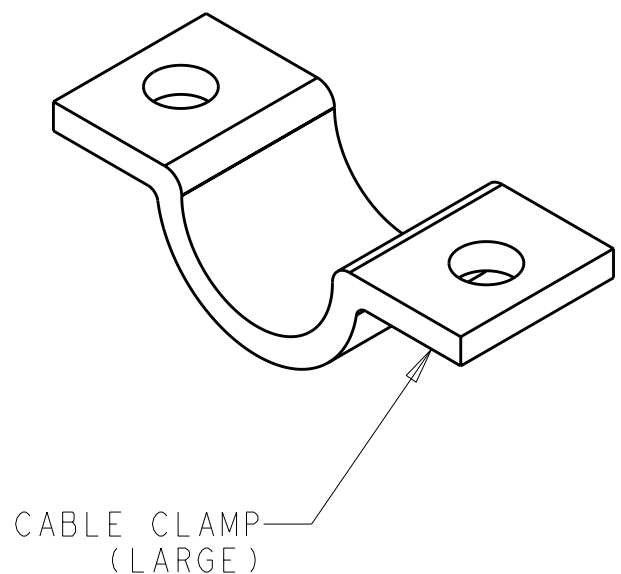
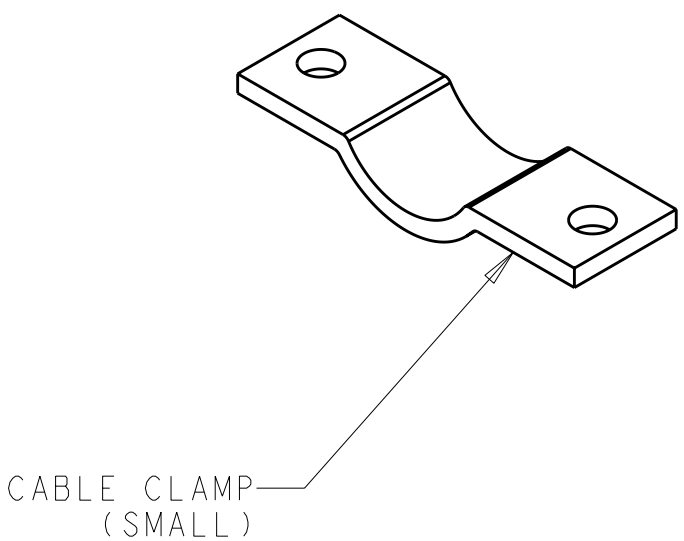
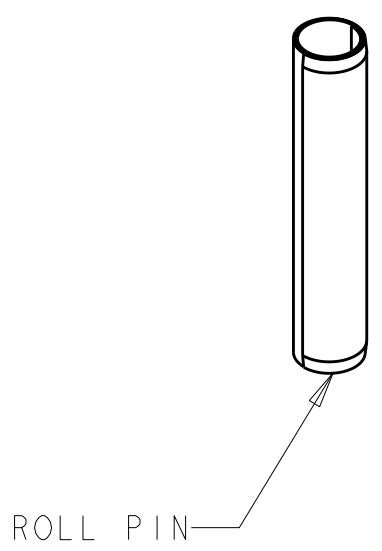


THIS DRAWING IS UNPUBLISHED. RELEASED FOR PUBLICATION 20
 © COPYRIGHT 20 BY TYCO ELECTRONICS CORPORATION. ALL RIGHTS RESERVED.

LOC	DIST	REVISIONS			
P	LTR	DESCRIPTION	DATE	DWN	APVD
-	-	B	REVISED PER ECO-09-017213	24JUL2009	SS MS



KIT CONTENTS		KIT TYPE	PART NUMBER
1 CABLE CLAMP (SMALL), 2 SCREWS, 1 ROLL PIN	4 POLE	647747-3	
1 CABLE CLAMP (LARGE), 2 SCREWS, 2 ROLL PINS	6 POLE	647747-2	
1 CABLE CLAMP (LARGE), 2 SCREWS, 3 ROLL PINS	8 POLE	647747-1	

<small>THIS DRAWING IS A CONTROLLED DOCUMENT FOR TYCO ELECTRONICS CORPORATION IT IS SUBJECT TO CHANGE AND THE CONTROLLING ENGINEERING ORGANIZATION SHOULD BE CONTACTED FOR THE LATEST REVISION.</small>		DWN K. WHITAKER 17APR2008 CHK S. RIDGILL 17APR2008 APVD S. RIDGILL 17APR2008	Tyco Electronics Harrisburg, PA 17105-3608
DIMENSIONS: INCHES 	TOLERANCES UNLESS OTHERWISE SPECIFIED: 0 PLC ±. 1 PLC ±. 2 PLC ±. 3 PLC ±. 4 PLC ±. ANGLES ±.	PRODUCT SPEC - APPLICATION SPEC - WEIGHT -	NAME KIT, CABLE CLAMP, HARDWARE PACK, AMP POWER SERIES 15/30/45 SIZE CAGE CODE DRAWING NO RESTRICTED TO A300779 C-647747 -
MATERIAL -	FINISH -	CUSTOMER DRAWING SCALE NTS SHEET 1 OF 1 REV B	