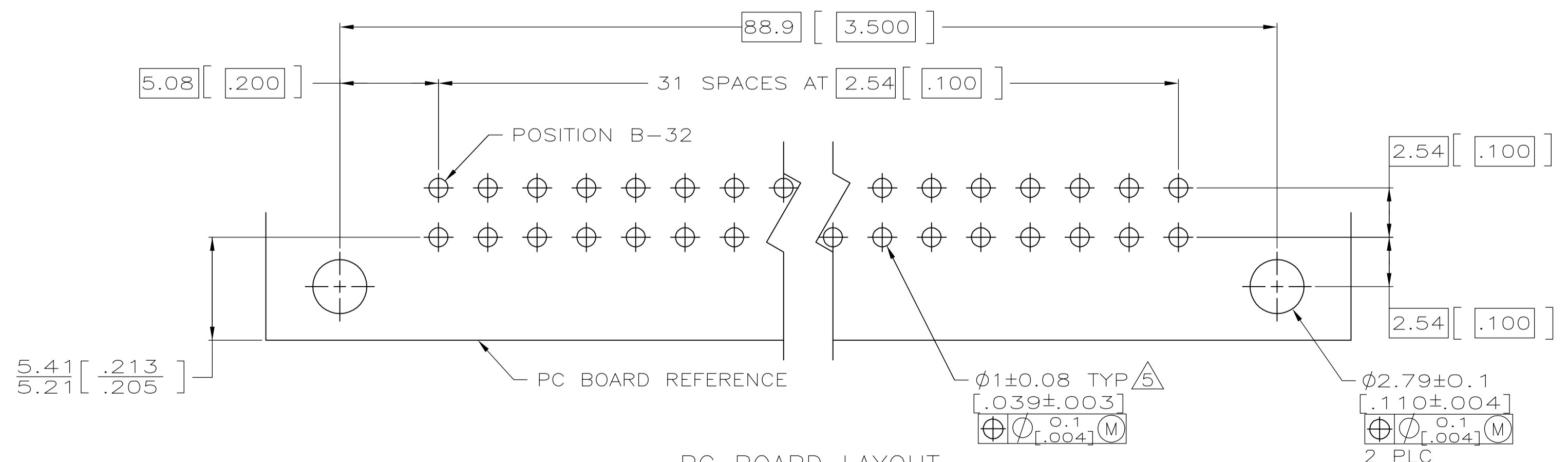
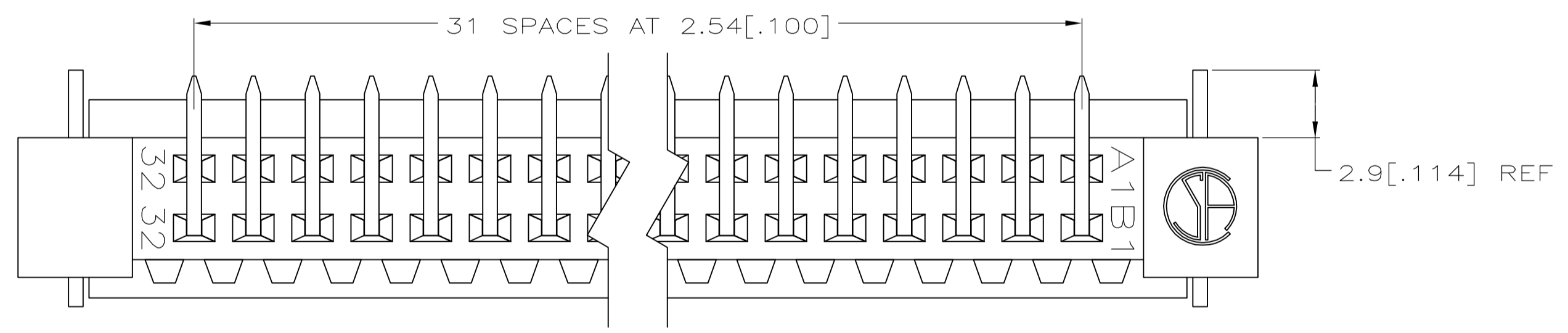
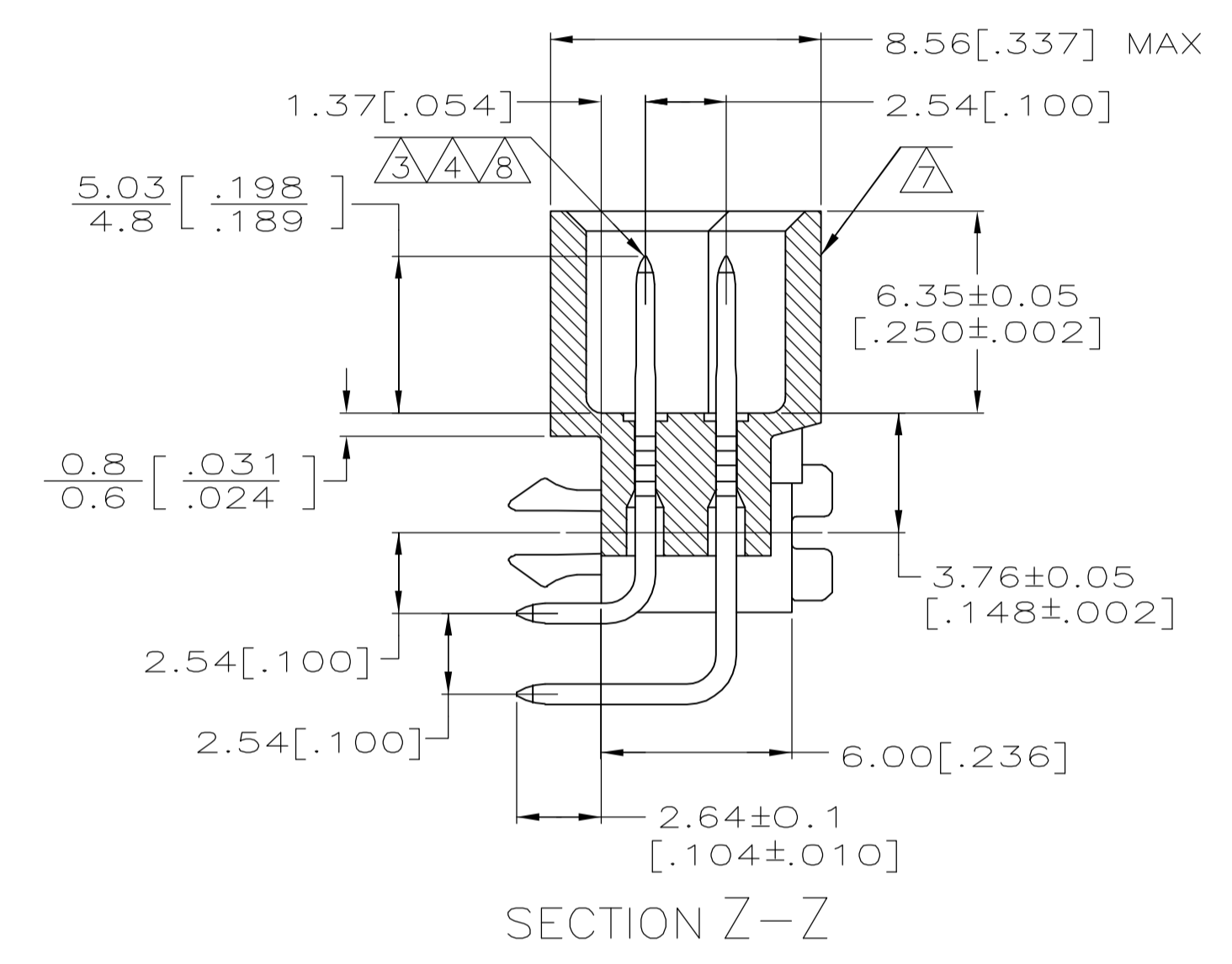
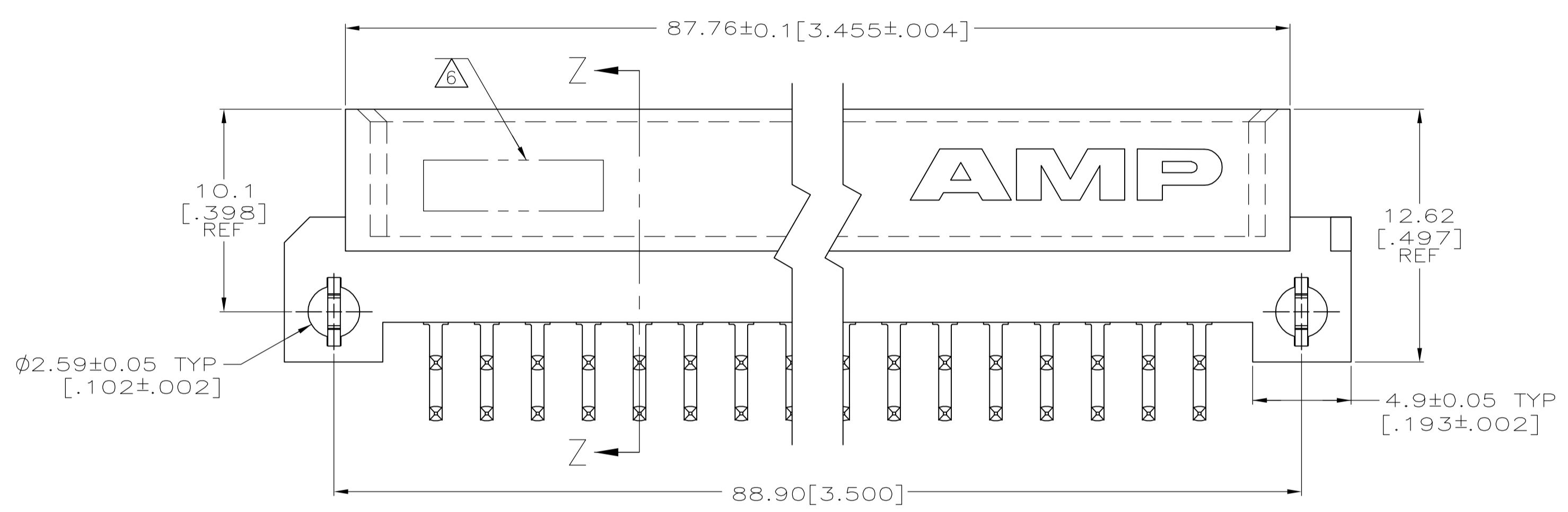
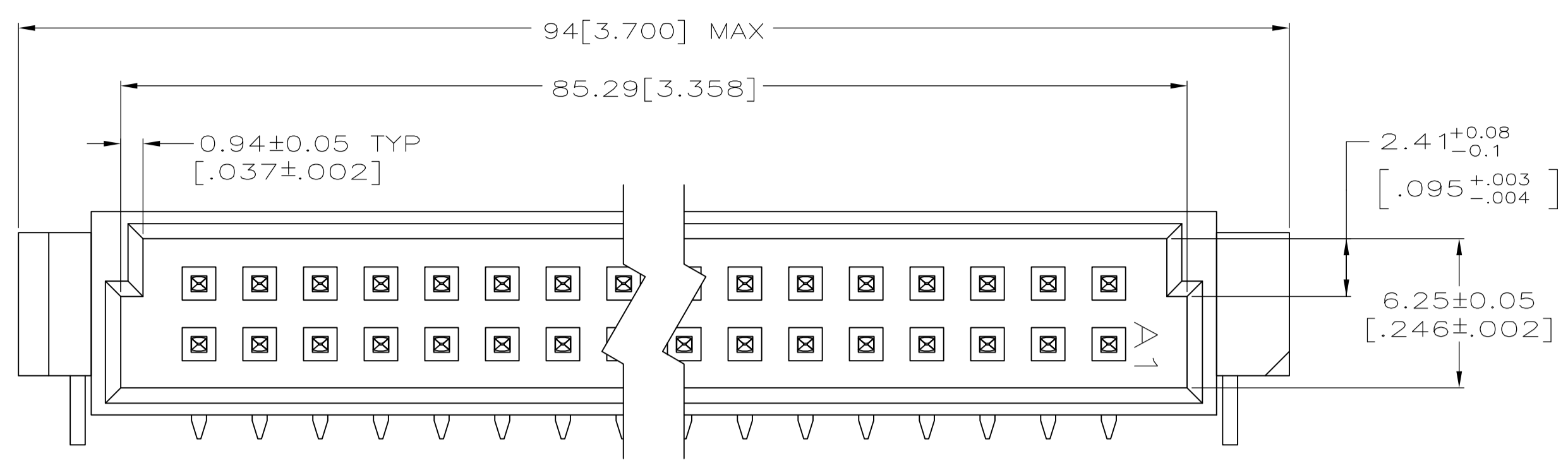


- ① HOUSING MATERIAL: GLASS-FILLED POLYESTER. COLOR: GRAY.
- ② POST MATERIAL: BRASS.
- ③ POST FINISH: DIN 41612 CLASS 3 IN CONTACT AREA. TIN-LEAD PLATE ON POSTS.
- ④ POST FINISH: DIN 41612 CLASS 2 IN CONTACT AREA. TIN-LEAD PLATE ON POSTS.
- ⑤ RECOMMENDED HOLE SIZE FOR MANUAL APPLICATION OF CONNECTOR ONTO PC BOARD.
- ⑥ PART NUMBER, DATE CODE MARKED THIS APPROXIMATE AREA.
- ⑦ MARKINGS ON THIS SIDE.
- ⑧ POST FINISH: DIN 41612 CLASS 2 IN CONTACT AREA. TIN PLATE ON POSTS.



PC BOARD LAYOUT  
 RECOMMENDED PC BOARD THICKNESS 1.57[.062]

OBSELETE	⑧	1-32	X	X	64	7-536385-5
OBSELETE	③	1-32	X	X	64	536385-9
	④	1-32	X	X	64	536385-5
NOTES	POSITIONS LOADED	ROWS LOADED	NO. OF LOADED POSITION	ASSY PART NUMBER		

THIS DRAWING IS A CONTROLLED DOCUMENT.

DIMENSIONS: mm [INCHES]	TOLERANCES UNLESS OTHERWISE SPECIFIED:	DWN L. BRINER 8/17/92	Tyco Electronics Corporation Harrisburg, PA 17105-3608
0 PLC ± -	1 PLC ± -	CHK R. PATTERSON 9/30/92	
2 PLC ± -	3 PLC ± 0.1[.005]	APVD -	PRODUCT SPEC -
4 PLC ± -	ANGLES ± -		APPLICATION SPEC -
MATERIAL	FINISH	WEIGHT -	SIZE A1
			CAGE CODE 00779
			DRAWING NO. 536385
			RESTRICTED TO -
			CUSTOMER DRAWING
			SCALE 5:1
			SHEET 1 OF 1
			REV F