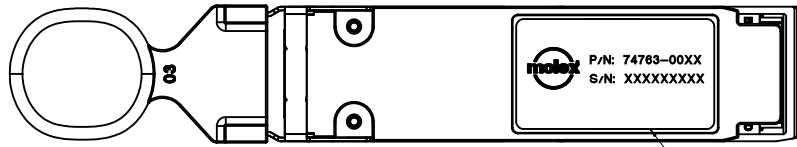


SEE PART DESCRIPTION



LABEL

1. MATES TO QSFP+ COMPONENTS WHICH COMPLY TO STANDARD MSA DIMENSION SPECIFICATIONS.
2. BACKSHELLS: ZINC DIE CAST WITH BRIGHT NICKEL PLATING
DELATCH: STAINLESS STEEL WITH OVERMOLDED NYLON
RIVETS: STAINLESS STEEL
4. 100 OHM IMPEDANCE
5. SUPPORTS SERIAL ID FUNCTIONALITY
6. 3.3V SUPPLY
7. HOT PLUGGABLE
8. LEAD FREE, NO RoHS EXEMPTIONS

MOLEX P/N	LABEL COLOR	PART DESCRIPTION
747630030	LIGHT BLUE	QSFP+ LOOPBACK ADAPTER WITH SERIAL ID, 0.0dB
747630035	LIGHT GREEN	QSFP+ LOOPBACK ADAPTER WITH SERIAL ID, 5.0dB
747630040	LIGHT BLUE	QSFP+ UNIVERSAL LOOPBACK ADAPTER WITH SERIAL ID, 0.0dB, 12C PORT EXPANDER
747630045	LIGHT GREEN	QSFP+ UNIVERSAL LOOPBACK ADAPTER WITH SERIAL ID, 5.0dB, 12C PORT EXPANDER

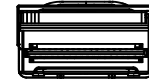
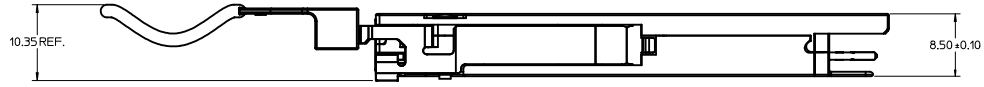
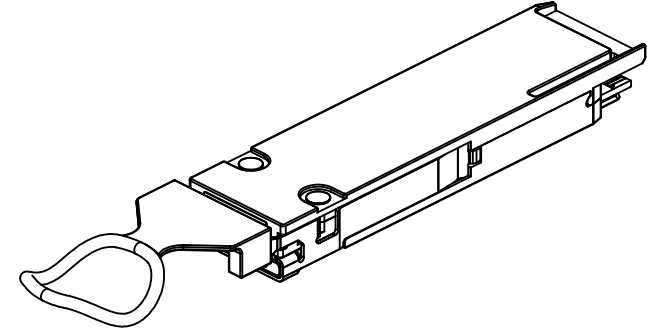
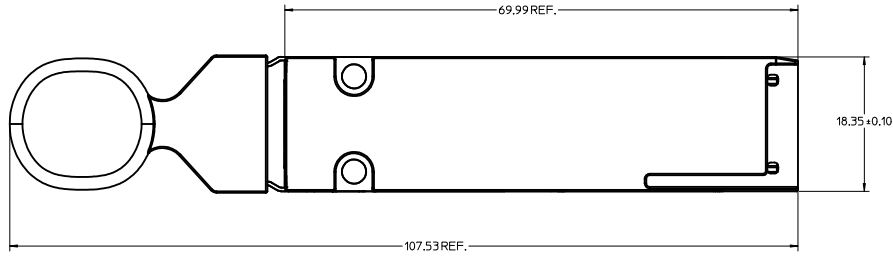
INITIAL RELEASE EC NO: USY2012-0338 DRAWN BY: JERWIN 2011/09/21 CHECKED BY: CHYOKKLOYD 2011/09/21 APPROVED BY: APPR/RMKHAN 2011/09/23	QUALITY SYMBOLS ▽=0 ▽=0	GENERAL TOLERANCES (UNLESS SPECIFIED) <table border="1"> <tr> <td></td> <td>mm</td> <td>INCH</td> </tr> <tr> <td>4 PLACES</td> <td>±---</td> <td>±---</td> </tr> <tr> <td>3 PLACES</td> <td>±---</td> <td>±---</td> </tr> <tr> <td>2 PLACES</td> <td>±---</td> <td>±---</td> </tr> <tr> <td>1 PLACE</td> <td>±---</td> <td>±---</td> </tr> </table> ANGULAR ±---°		mm	INCH	4 PLACES	±---	±---	3 PLACES	±---	±---	2 PLACES	±---	±---	1 PLACE	±---	±---	DIMENSION STYLE MM ONLY	SCALE 3:1	DESIGN UNITS METRIC	THIRD ANGLE PROJECTION
		mm	INCH																		
	4 PLACES	±---	±---																		
	3 PLACES	±---	±---																		
2 PLACES	±---	±---																			
1 PLACE	±---	±---																			
DRAWN BY: JERWIN DATE: 2011/09/21 CHECKED BY: KLOYD DATE: 2011/09/21 APPROVED BY: RMKHAN DATE: 2011/09/23	TITLE QSFP+ LOOPBACK ADAPTER		MATERIAL NO. SEE CHART DOCUMENT NO. SD-74763-0030																		
DRAFT WHERE APPLICABLE MUST REMAIN WITHIN DIMENSIONS		SIZE D		THIS DRAWING CONTAINS INFORMATION THAT IS PROPRIETARY TO MOLEX INCORPORATED AND SHOULD NOT BE USED WITHOUT WRITTEN PERMISSION																	
				MOLEX INCORPORATED		SHEET NO. 1 OF 2															

20 19 18 17 16 15 14 13 12 11 10 9 8 7 6 5 4 3 2 1

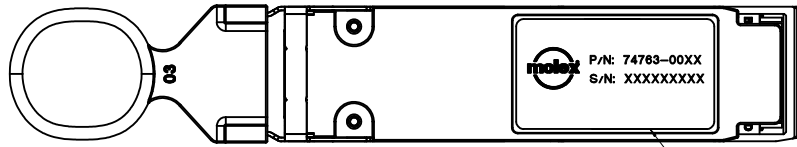
DATE	REV	CHANGES
2011/09/21	A	INITIAL RELEASE

INITIAL RELEASE IEC NO. USY2012-0338 DRAWN: JERWIN 2011/09/21 CHECKED: KILLOYD 2011/09/21 APPR: RMKHAN 2011/09/23	QUALITY SYMBOLS ◀=0 ▽=0	GENERAL TOLERANCES (UNLESS SPECIFIED)		DIMENSION STYLE	SCALE	DESIGN UNITS	THIRD ANGLE PROJECTION	
				MM ONLY	1:1	METRIC		
		4 PLACES	mm	INCH	DRAWN BY DATE			
		3 PLACES	mm	INCH	JERWIN 2011/09/21			
2 PLACES	mm	INCH	CHECKED BY DATE					
1 PLACE	mm	INCH	KILLOYD 2011/09/21					
ANGULAR ±----		APPROVED BY DATE						
		RMKHAN 2011/09/23						
DRAFT WHERE APPLICABLE MUST REMAIN WITHIN DIMENSIONS		WATERL NO.		DOCUMENT NO.		SHEET NO.		
		SEE CHART		SD-74763-0030		2 OF 2		
		THIS DRAWING CONTAINS INFORMATION THAT IS PROPRIETARY TO MOLEX INCORPORATED AND SHOULD NOT BE USED WITHOUT WRITTEN PERMISSION						

19 18 17 16 15 14 13 12 11 10 9 8 7 6 5 4 3 2 1



SEE PART DESCRIPTION



1. MATES TO QSFP+ COMPONENTS WHICH COMPLY TO STANDARD MSA DIMENSION SPECIFICATIONS.
2. BACKSHELLS: ZINC DIE CAST WITH BRIGHT NICKEL PLATING
DELATCH: STAINLESS STEEL WITH OVERMOLDED NYLON
RIVETS: STAINLESS STEEL
4. 100 OHM IMPEDANCE
5. SUPPORTS SERIAL ID FUNCTIONALITY
6. 3.3V SUPPLY
7. HOT PLUGGABLE
8. LEAD FREE, NO RoHS EXEMPTIONS

MOLEX P/N	LABEL COLOR	PART DESCRIPTION
747630030	LIGHT BLUE	QSFP+ LOOPBACK ADAPTER WITH SERIAL ID, 0.0dB
747630035	LIGHT GREEN	QSFP+ LOOPBACK ADAPTER WITH SERIAL ID, 5.0dB
747630040	LIGHT BLUE	QSFP+ UNIVERSAL LOOPBACK ADAPTER WITH SERIAL ID, 0.0dB, 12C PORT EXPANDER
747630045	LIGHT GREEN	QSFP+ UNIVERSAL LOOPBACK ADAPTER WITH SERIAL ID, 5.0dB, 12C PORT EXPANDER

INITIAL RELEASE EC NO: USY2012-0338 DRAWN BY: JERWIN 2011/09/21 CHECKED BY: CHYOKKLOYD 2011/09/21 APPROVED BY: APPR/RMKHAN 2011/09/23	QUALITY SYMBOLS ▽=0 ▽=0	GENERAL TOLERANCES (UNLESS SPECIFIED) mm INCH 4 PLACES ±--- ±--- 3 PLACES ±--- ±--- 2 PLACES ±--- ±--- 1 PLACE ±--- ±--- ANGULAR ±---°	DIMENSION STYLE MM ONLY DRAWN BY: JERWIN DATE: 2011/09/21 CHECKED BY: KLOYD DATE: 2011/09/21 APPROVED BY: RMKHAN DATE: 2011/09/23	SCALE: 3:1 DESIGN UNITS: METRIC THIRD ANGLE PROJECTION	TITLE: QSFP+ LOOPBACK ADAPTER
		DRAFT WHERE APPLICABLE MUST REMAIN WITHIN DIMENSIONS	MATERIAL NO. SEE CHART SIZE: D	MOLEX INCORPORATED DOCUMENT NO. SD-74763-0030 SHEET NO. 1 OF 2	

20 19 18 17 16 15 14 13 12 11 10 9 8 7 6 5 4 3 2 1

DATE	REV	CHANGES
2011/09/21	A	INITIAL RELEASE

INITIAL RELEASE IEC NO. USY2012-0338 DRAWN: JERWIN 2011/09/21 CHECKED: KILLOYD 2011/09/21 APPR: RMKHAN 2011/09/23	QUALITY SYMBOLS ◀=0 ▽=0	GENERAL TOLERANCES (UNLESS SPECIFIED)		DIMENSION STYLE	SCALE	DESIGN UNITS	THIRD ANGLE PROJECTION	
				MM ONLY	1:1	METRIC		
		4 PLACES	mm	INCH	DRAWN BY DATE			
		3 PLACES	+	+	JERWIN 2011/09/21			
2 PLACES	+	+	CHECKED BY DATE					
1 PLACE	+	+	KILLOYD 2011/09/21					
ANGULAR ±----		APPROVED BY DATE						
DRAFT WHERE APPLICABLE MUST REMAIN WITHIN DIMENSIONS		SEE CHART		WATERL NO.		DOCUMENT NO.		
		D		THIS DRAWING CONTAINS INFORMATION THAT IS PROPRIETARY TO MOLEX INCORPORATED AND SHOULD NOT BE USED WITHOUT WRITTEN PERMISSION		SD-74763-0030		
						SHEET NO. 2 OF 2		

19 18 17 16 15 14 13 12 11 10 9 8 7 6 5 4 3 2 1