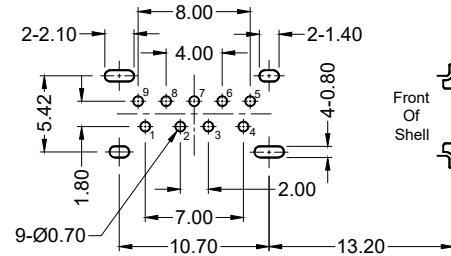
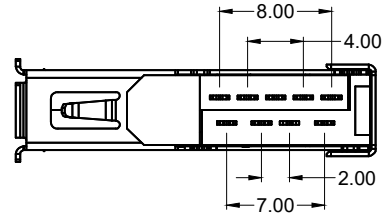
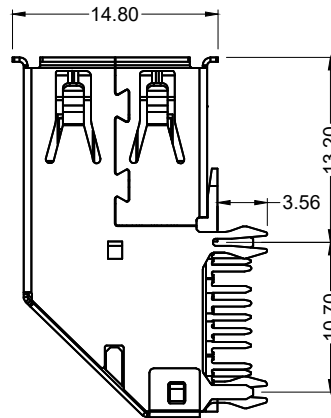


| Pin Number | Signal Name |
|------------|-------------|
| 1 | VBUS |
| 2 | D- |
| 3 | D+ |
| 4 | GND |
| 5 | SSRX- |
| 6 | SSRX+ |
| 7 | GND |
| 8 | SSTX- |
| 9 | SSRT+ |
| SHELL | SHIELD |



Recommended PCB Layout
(Top View)

| Part Number | Contact Area Plating Finish | Insulator Color |
|-------------------|-----------------------------|-----------------|
| KUSBX-SLAS1N9-B | Gold Flash (standard) | Black |
| KUSBX-SLAS1N9-B15 | 15u" Gold (-15 option) | |

Material and Finish

Insulator: PBT Thermoplastic,
UL 94V-0 Rated,
Blue Color

Shell: Stainless, Nickel Plated

Contact Material:
Copper Alloy

Contact Plating Options:
Standard: Gold Flash on
Contact Area, Tin Plated on Solder
Tails, All over Nickel Underplate

15 Option: 15u" Gold Plated on
Contact Area, Tin Plated on Solder
Tails, All over Nickel Underplate

Electrical Characteristics

Rated Current: 1.8A for Pins
1 & 4, 0.25A for All Others

Rated Voltage: 30V AC/DC

Insulation Resistance:
100 Megohms Min.

Contact Resistance:
50 millionhms Max.

Dielectric Withstanding Voltage:
100V AC (RMS) For 1 Minute

Mechanical Characteristics

Mating Force: 35N Max.

Unmating Force: 10N Min.

Durability: 1500 Mating Cycles Min.

Operating Temperature:
-55°C to +85°C

Tolerances

X.X ± 0.35
X.XX ± 0.25
Unless Stated
Otherwise



| REV. | DATE | DESCRIPTION | REV. BY | CHK. BY | DRAWN BY | DATE |
|------|----------|-----------------|-------------|-------------|-------------|---------|
| A0 | 3/11/15 | New Drawing | C. Kelleher | H. Ma | C. Kelleher | 2/25/15 |
| A1 | 07/07/15 | Release Drawing | H. MA | N/A | | |
| A2 | 05/24/19 | ECO #19-050 | H. MA | D. Shehan | UNITS | mm |
| A3 | 08/26/19 | ECO #19-062 | G. Serrato | D. Shehan | | |
| A4 | 01/05/21 | ECO #21-001 | C. Kelleher | C. Furumasa | | |

KUSBX-SLAS1N9-B

Flag Style Type A Receptacle

USB 3.2 Gen 1, Blue, Through Hole

