

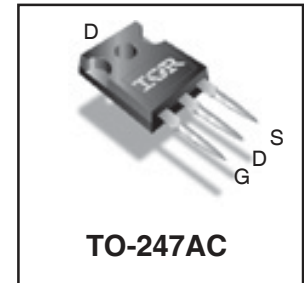
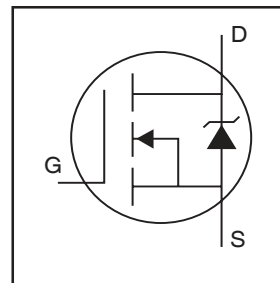
**PDP SWITCH**

**IRFP4332PbF**

**Features**

- Advanced Process Technology
- Key Parameters Optimized for PDP Sustain, Energy Recovery and Pass Switch Applications
- Low  $E_{PULSE}$  Rating to Reduce Power Dissipation in PDP Sustain, Energy Recovery and Pass Switch Applications
- Low  $Q_G$  for Fast Response
- High Repetitive Peak Current Capability for Reliable Operation
- Short Fall & Rise Times for Fast Switching
- 175°C Operating Junction Temperature for Improved Ruggedness
- Repetitive Avalanche Capability for Robustness and Reliability

| Key Parameters              |     |    |
|-----------------------------|-----|----|
| $V_{DS\ min}$               | 250 | V  |
| $V_{DS\ (Avalanche)\ typ.}$ | 300 | V  |
| $R_{DS(ON)\ typ.\ @\ 10V}$  | 29  | mΩ |
| $T_J\ max$                  | 175 | °C |



| G    | D     | S      |
|------|-------|--------|
| Gate | Drain | Source |

**Description**

This HEXFET® Power MOSFET is specifically designed for Sustain; Energy Recovery & Pass switch applications in Plasma Display Panels. This MOSFET utilizes the latest processing techniques to achieve low on-resistance per silicon area and low  $E_{PULSE}$  rating. Additional features of this MOSFET are 175°C operating junction temperature and high repetitive peak current capability. These features combine to make this MOSFET a highly efficient, robust and reliable device for PDP driving applications.

**Absolute Maximum Ratings**

|                              | Parameter  | Max.             | Units |
|------------------------------|--|------------------|-------|
| $V_{GS}$                     | Gate-to-Source Voltage                           | ±30              | V     |
| $I_D @ T_C = 25^\circ C$     | Continuous Drain Current, $V_{GS} @ 10V$         | 57               | A     |
| $I_D @ T_C = 100^\circ C$    | Continuous Drain Current, $V_{GS} @ 10V$         | 40               |       |
| $I_{DM}$                     | Pulsed Drain Current ①                           | 230              |       |
| $I_{RP} @ T_C = 100^\circ C$ | Repetitive Peak Current ⑤⑥                       | 120              |       |
| $P_D @ T_C = 25^\circ C$     | Power Dissipation                                | 360              | W     |
| $P_D @ T_C = 100^\circ C$    | Power Dissipation                                | 180              |       |
|                              | Linear Derating Factor                           | 2.4              | W/°C  |
| $T_J$<br>$T_{STG}$           | Operating Junction and Storage Temperature Range | -40 to + 175     | °C    |
|                              | Soldering Temperature for 10 seconds             | 300              |       |
|                              | Mounting Torque, 6-32 or M3 Screw                | 10lb·in (1.1N·m) |       |

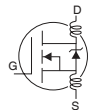
**Thermal Resistance**

|                 | Parameter                           | Typ. | Max. | Units |
|-----------------|-------------------------------------|------|------|-------|
| $R_{\theta JC}$ | Junction-to-Case ④                  | —    | 0.42 | °C/W  |
| $R_{\theta CS}$ | Case-to-Sink, Flat, Greased Surface | 0.24 | —    |       |
| $R_{\theta JA}$ | Junction-to-Ambient ②               | —    | 40   |       |

Notes ① through ⑥ are on page 9

## Electrical Characteristics @ $T_J = 25^\circ\text{C}$ (unless otherwise specified)

|                                | Parameter                            | Min. | Typ. | Max. | Units | Conditions  |
|--------------------------------|--------------------------------------|------|------|------|-------|---|
| $BV_{DSS}$                     | Drain-to-Source Breakdown Voltage    | 250  | —    | —    | V     | $V_{GS} = 0V, I_D = 250\mu A$   |
| $\Delta BV_{DSS}/\Delta T_J$   | Breakdown Voltage Temp. Coefficient  | —    | 170  | —    | mV/°C | Reference to $25^\circ\text{C}, I_D = 1\text{mA}$   |
| $R_{DS(on)}$                   | Static Drain-to-Source On-Resistance | —    | 29   | 33   | mΩ    | $V_{GS} = 10V, I_D = 35A$ ③   |
| $V_{GS(th)}$                   | Gate Threshold Voltage               | 3.0  | —    | 5.0  | V     | $V_{DS} = V_{GS}, I_D = 250\mu A$   |
| $\Delta V_{GS(th)}/\Delta T_J$ | Gate Threshold Voltage Coefficient   | —    | -14  | —    | mV/°C |   |
| $I_{DSS}$                      | Drain-to-Source Leakage Current      | —    | —    | 20   | μA    | $V_{DS} = 250V, V_{GS} = 0V$  |
|                                |                                      | —    | —    | 200  | μA    | $V_{DS} = 250V, V_{GS} = 0V, T_J = 125^\circ\text{C}$   |
| $I_{GSS}$                      | Gate-to-Source Forward Leakage       | —    | —    | 100  | nA    | $V_{GS} = 20V$  |
|                                | Gate-to-Source Reverse Leakage       | —    | —    | -100 | nA    | $V_{GS} = -20V$   |
| $g_{fs}$                       | Forward Transconductance             | 100  | —    | —    | S     | $V_{DS} = 25V, I_D = 35A$   |
| $Q_g$                          | Total Gate Charge                    | —    | 99   | 150  | nC    | $V_{DD} = 125V, I_D = 35A, V_{GS} = 10V$ ③  |
| $Q_{gd}$                       | Gate-to-Drain Charge                 | —    | 35   | —    | nC    |   |
| $t_{st}$                       | Shoot Through Blocking Time          | 100  | —    | —    | ns    | $V_{DD} = 200V, V_{GS} = 15V, R_G = 4.7\Omega$  |
| $E_{PULSE}$                    | Energy per Pulse                     | —    | 520  | —    | μJ    | $L = 220\text{nH}, C = 0.3\mu F, V_{GS} = 15V$<br>$V_{DS} = 200V, R_G = 5.1\Omega, T_J = 25^\circ\text{C}$  |
|                                |                                      | —    | 920  | —    |       | $L = 220\text{nH}, C = 0.3\mu F, V_{GS} = 15V$<br>$V_{DS} = 200V, R_G = 5.1\Omega, T_J = 100^\circ\text{C}$ |
| $C_{iss}$                      | Input Capacitance                    | —    | 5860 | —    | pF    | $V_{GS} = 0V$   |
| $C_{oss}$                      | Output Capacitance                   | —    | 530  | —    |       | $V_{DS} = 25V$  |
| $C_{rss}$                      | Reverse Transfer Capacitance         | —    | 130  | —    |       | $f = 1.0\text{MHz},$  |
| $C_{oss\ eff.}$                | Effective Output Capacitance         | —    | 360  | —    |       | $V_{GS} = 0V, V_{DS} = 0V \text{ to } 200V$   |
| $L_D$                          | Internal Drain Inductance            | —    | 5.0  | —    | nH    | Between lead,<br>6mm (0.25in.)<br>from package<br>and center of die contact                                 |
| $L_S$                          | Internal Source Inductance           | —    | 13   | —    |       |   |

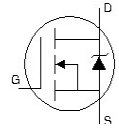


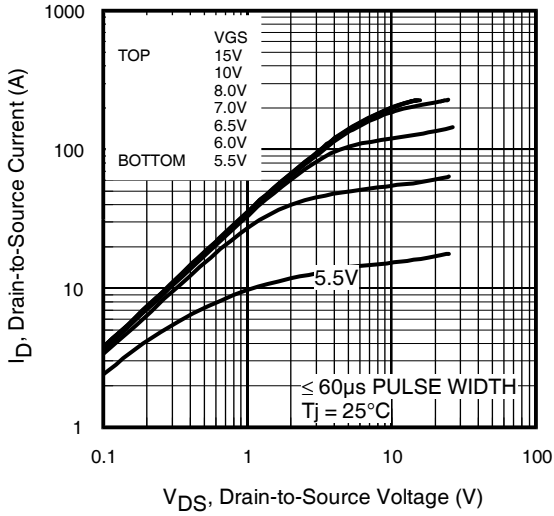
## Avalanche Characteristics

|                     | Parameter                       | Typ. | Max. | Units |
|---------------------|---------------------------------|------|------|-------|
| $E_{AS}$            | Single Pulse Avalanche Energy ② | —    | 210  | mJ    |
| $E_{AR}$            | Repetitive Avalanche Energy ①   | —    | 36   | mJ    |
| $V_{DS(Avalanche)}$ | Repetitive Avalanche Voltage ①  | 300  | —    | V     |
| $I_{AS}$            | Avalanche Current ②             | —    | 35   | A     |

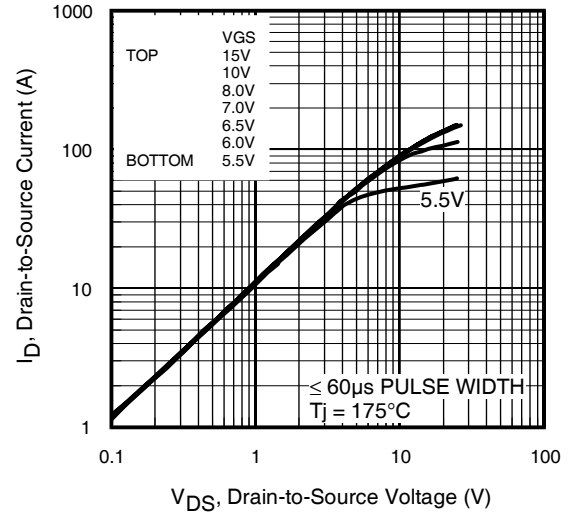
## Diode Characteristics

|                                | Parameter                                 | Min. | Typ. | Max. | Units | Conditions  |
|--------------------------------|---|------|------|------|-------|---|
| $I_S @ T_C = 25^\circ\text{C}$ | Continuous Source Current<br>(Body Diode) | —    | —    | 57   | A     | MOSFET symbol<br>showing the<br>integral reverse<br>p-n junction diode. |
| $I_{SM}$                       | Pulsed Source Current<br>(Body Diode) ①   | —    | —    | 230  |       |   |
| $V_{SD}$                       | Diode Forward Voltage                     | —    | —    | 1.3  | V     | $T_J = 25^\circ\text{C}, I_S = 35A, V_{GS} = 0V$ ③                      |
| $t_{rr}$                       | Reverse Recovery Time                     | —    | 190  | 290  | ns    | $T_J = 25^\circ\text{C}, I_F = 35A, V_{DD} = 50V$                       |
| $Q_{rr}$                       | Reverse Recovery Charge                   | —    | 820  | 1230 | nC    | $di/dt = 100A/\mu s$ ③  |

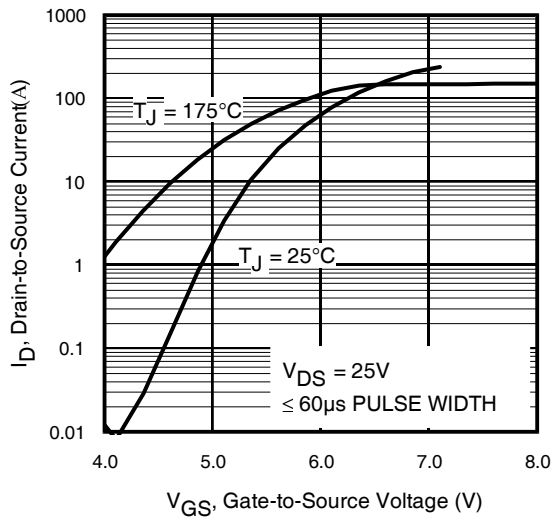




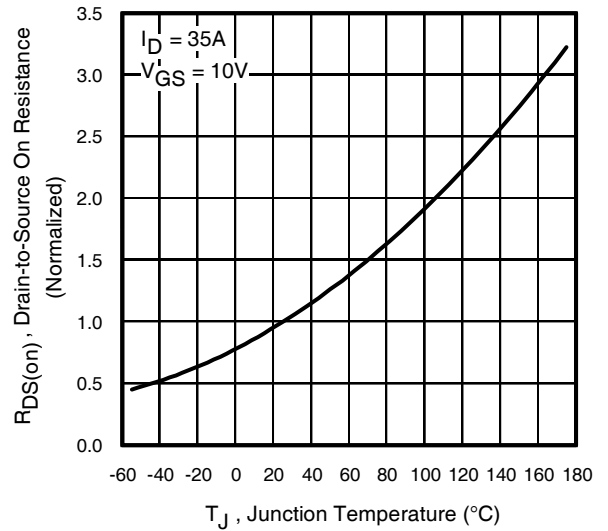
**Fig 1.** Typical Output Characteristics



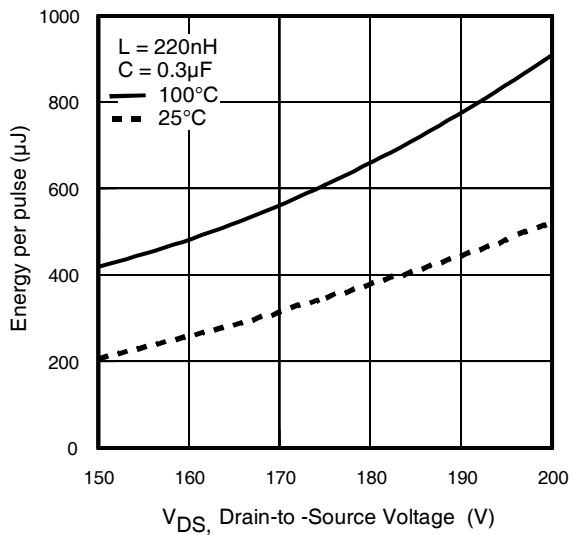
**Fig 2.** Typical Output Characteristics



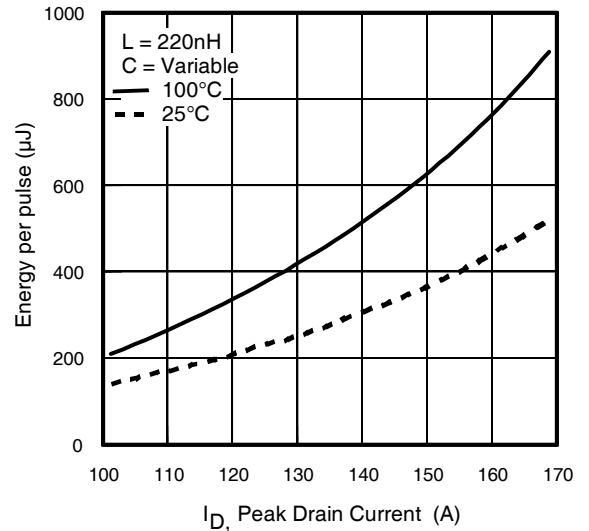
**Fig 3.** Typical Transfer Characteristics



**Fig 4.** Normalized On-Resistance vs. Temperature

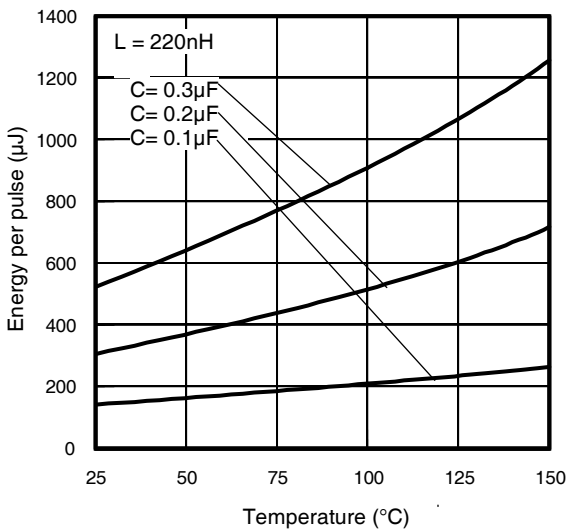


**Fig 5.** Typical  $E_{PULSE}$  vs. Drain-to-Source Voltage

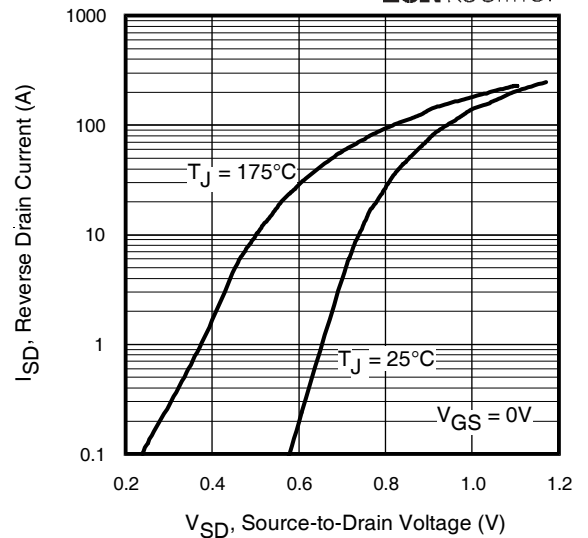


**Fig 6.** Typical  $E_{PULSE}$  vs. Drain Current

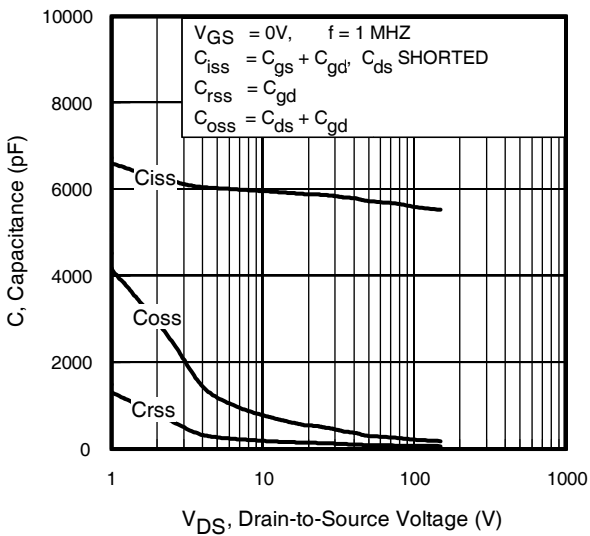
# IRFP4332PbF



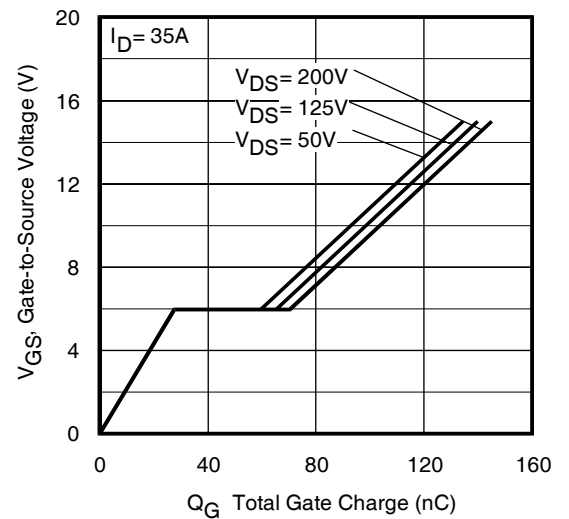
**Fig 7.** Typical  $E_{\text{PULSE}}$  vs. Temperature



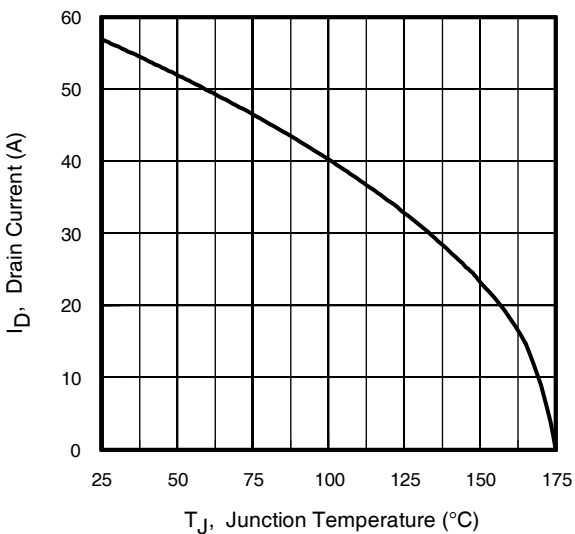
**Fig 8.** Typical Source-Drain Diode Forward Voltage



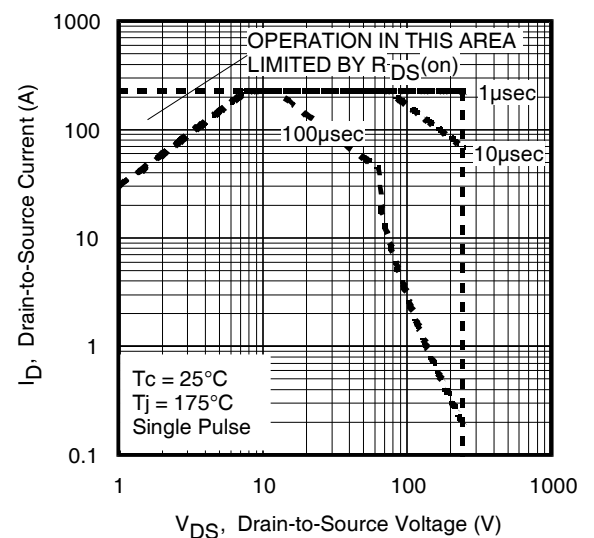
**Fig 9.** Typical Capacitance vs. Drain-to-Source Voltage



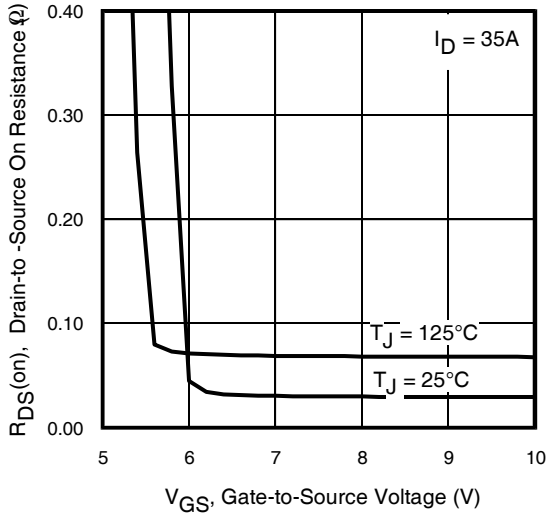
**Fig 10.** Typical Gate Charge vs. Gate-to-Source Voltage



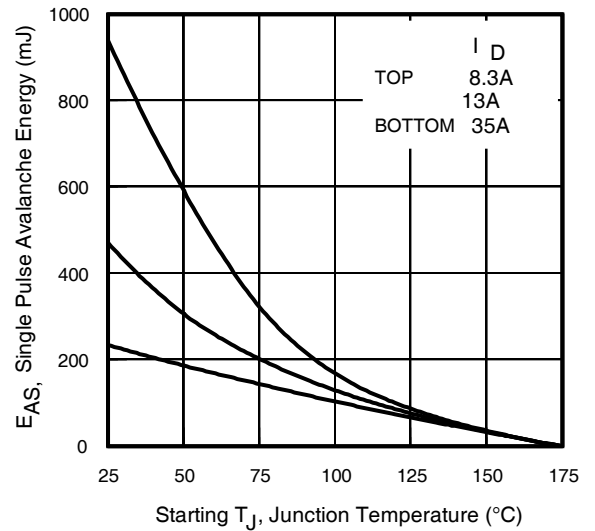
**Fig 11.** Maximum Drain Current vs. Case Temperature



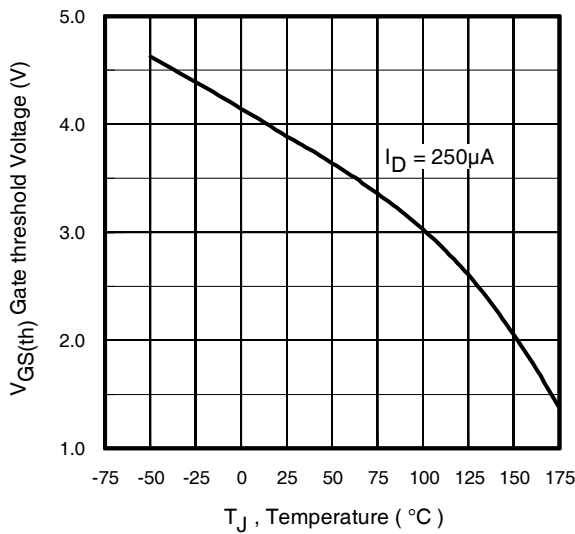
**Fig 12.** Maximum Safe Operating Area



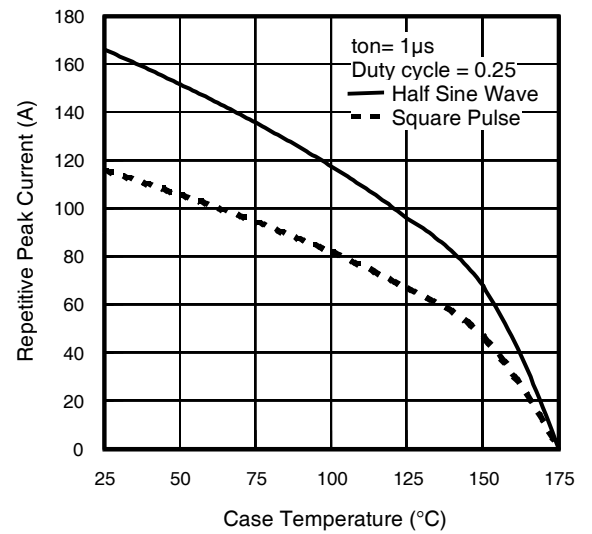
**Fig 13.** On-Resistance Vs. Gate Voltage



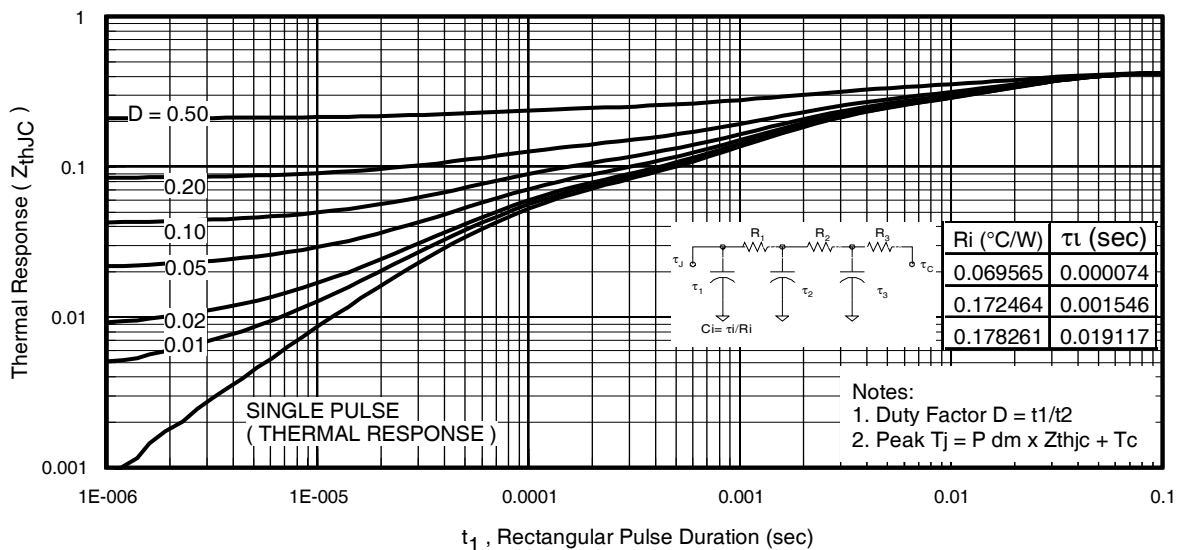
**Fig 14.** Maximum Avalanche Energy Vs. Temperature



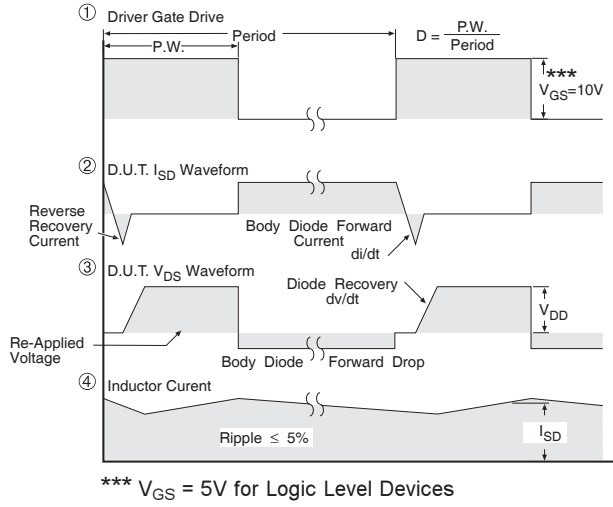
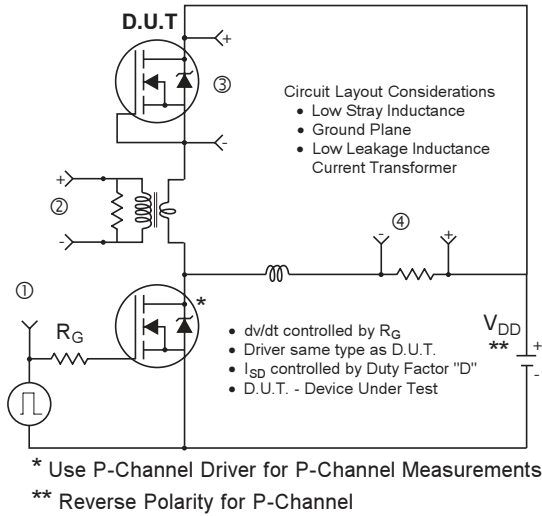
**Fig 15.** Threshold Voltage vs. Temperature



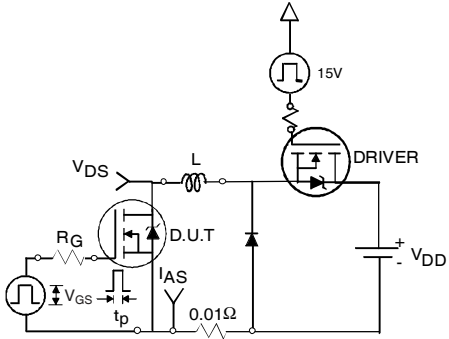
**Fig 16.** Typical Repetitive peak Current vs. Case temperature



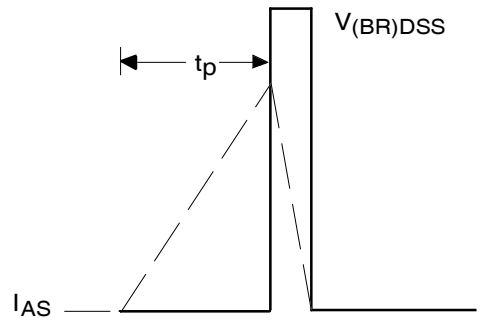
**Fig 17.** Maximum Effective Transient Thermal Impedance, Junction-to-Case



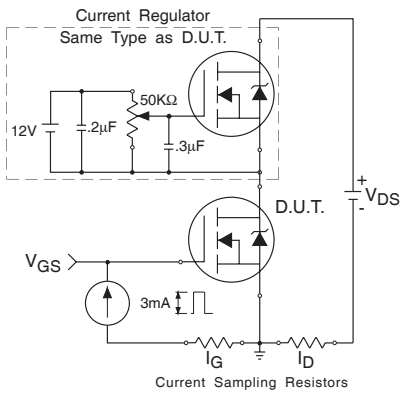
**Fig 18.** Diode Reverse Recovery Test Circuit for HEXFET® Power MOSFETs



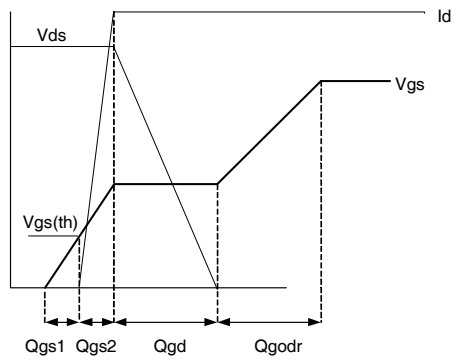
**Fig 19a.** Unclamped Inductive Test Circuit



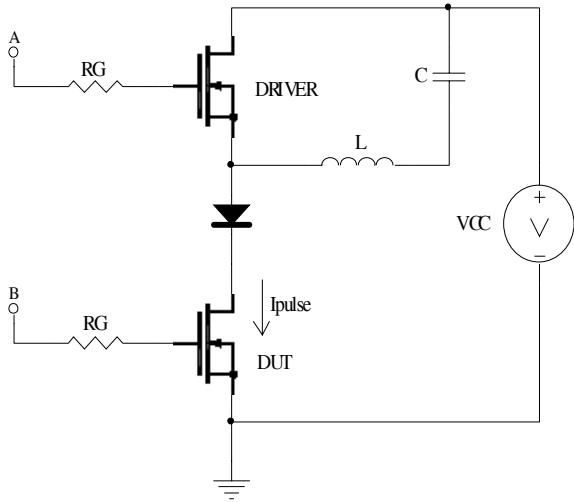
**Fig 19b.** Unclamped Inductive Waveforms



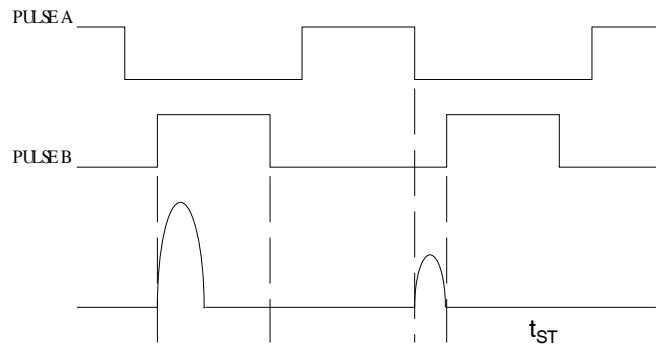
**Fig 20a.** Gate Charge Test Circuit



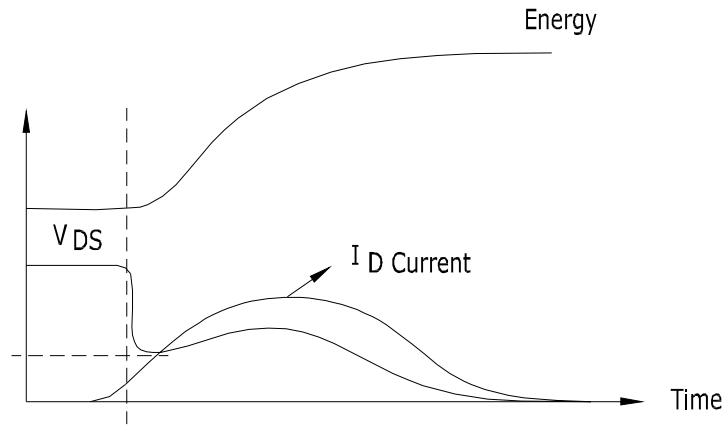
**Fig 20b.** Gate Charge Waveform



**Fig 21a.**  $t_{st}$  and  $E_{PULSE}$  Test Circuit



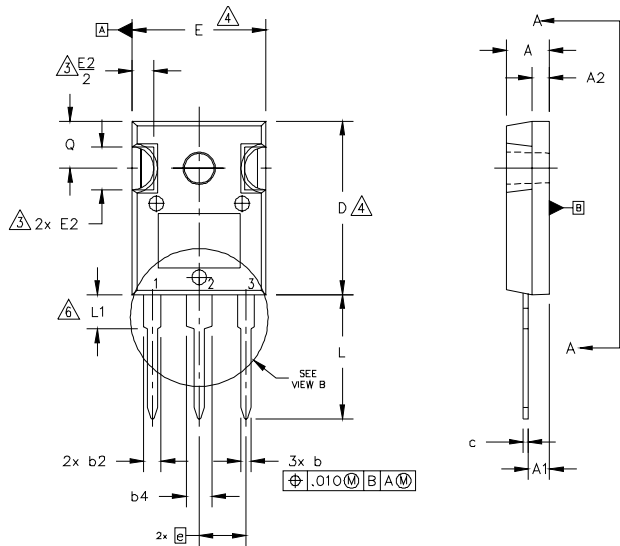
**Fig 21b.**  $t_{st}$  Test Waveforms



**Fig 21c.**  $E_{PULSE}$  Test Waveforms

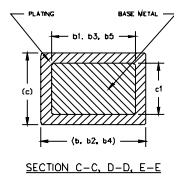
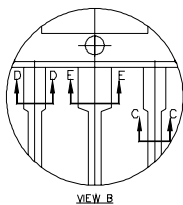
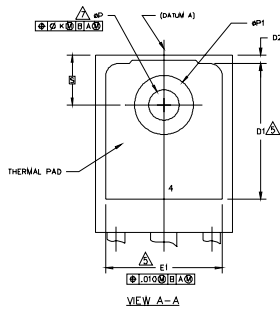
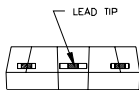
# IRFP4332PbF

TO-247AC Package Outline Dimensions are shown in millimeters (inches)



**NOTES:**

1. DIMENSIONING AND TOLERANCING AS PER ASME Y14.5M 1994.
2. DIMENSIONS ARE SHOWN IN INCHES.
3. CONTOUR OF SLOT OPTIONAL.
4. DIMENSION D & E DO NOT INCLUDE MOLD FLASH. MOLD FLASH SHALL NOT EXCEED .005" (0.127) PER SIDE. THESE DIMENSIONS ARE MEASURED AT THE OUTERMOST EXTREMES OF THE PLASTIC BODY.
5. THERMAL PAD CONTOUR OPTIONAL WITHIN DIMENSIONS D1 & E1.
6. LEAD FINISH UNCONTROLLED IN L1.
7. ØP TO HAVE A MAXIMUM DRAFT ANGLE OF 1.5 ° TO THE TOP OF THE PART WITH A MAXIMUM HOLE DIAMETER OF .154 INCH.
8. OUTLINE CONFORMS TO JEDEC OUTLINE TO-247AC .



| SYMBOL | DIMENSIONS |      |             |       | NOTES |
|--------|------------|------|-------------|-------|-------|
|        | INCHES     |      | MILLIMETERS |       |       |
|        | MIN.       | MAX. | MIN.        | MAX.  |       |
| A      | .183       | .209 | 4.65        | 5.31  |       |
| A1     | .087       | .102 | 2.21        | 2.59  |       |
| A2     | .059       | .098 | 1.50        | 2.49  |       |
| b      | .039       | .056 | 0.99        | 1.40  |       |
| b1     | .039       | .053 | 0.99        | 1.35  |       |
| b2     | .065       | .094 | 1.65        | 2.39  |       |
| b3     | .065       | .092 | 1.65        | 2.34  |       |
| b4     | .102       | .135 | 2.59        | 3.43  |       |
| b5     | .102       | .133 | 2.59        | 3.38  |       |
| c      | .015       | .035 | 0.38        | 0.89  |       |
| c1     | .015       | .033 | 0.38        | 0.84  |       |
| D      | .776       | .815 | 19.71       | 20.70 | 4     |
| D1     | .515       | -    | 13.08       | -     | 5     |
| D2     | .020       | .053 | 0.51        | 1.35  |       |
| E      | .602       | .625 | 15.29       | 15.87 | 4     |
| E1     | .530       | -    | 13.46       | -     |       |
| E2     | .178       | .216 | 4.52        | 5.49  |       |
| e      | .215 BSC   |      | 5.46 BSC    |       |       |
| Øk     | .010       |      | 0.25        |       |       |
| L      | .559       | .634 | 14.20       | 16.10 |       |
| L1     | .146       | .169 | 3.71        | 4.29  |       |
| ØP     | .140       | .144 | 3.56        | 3.66  |       |
| ØP1    | -          | .291 | -           | 7.39  |       |
| Ø      | .209       | .224 | 5.31        | 5.69  |       |
| S      | .217 BSC   |      | 5.51 BSC    |       |       |

**LEAD ASSIGNMENTS**

**HEXFET**

- 1.- GATE
- 2.- DRAIN
- 3.- SOURCE
- 4.- DRAIN

**IGBTs, CoPACK**

- 1.- GATE
- 2.- COLLECTOR
- 3.- EMITTER
- 4.- COLLECTOR

**DIODES**

- 1.- ANODE/OPEN
- 2.- CATHODE
- 3.- ANODE

**TO-247AC package is not recommended for Surface Mount Application.**

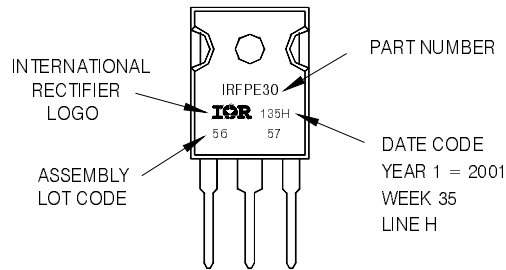
Note: For the most current drawing please refer to IR website at: <http://www.irf.com/package/>



## TO-247AC Part Marking Information

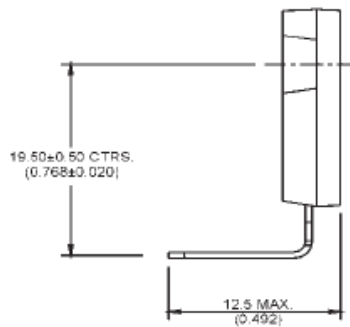
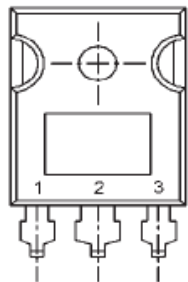
EXAMPLE: THIS IS AN IRFPE30  
 WITH ASSEMBLY  
 LOT CODE 5657  
 ASSEMBLED ON WW 35, 2001  
 IN THE ASSEMBLY LINE "H"

Note: "P" in assembly line position  
 indicates "Lead-Free"



## TO-247AC Lead Option- 203

All dimensions in millimeters (inches)



Lead Assignments  
 1- Gate  
 2- Drain  
 3- Source

### Notes:

- ① Repetitive rating; pulse width limited by max. junction temperature.
- ② Starting  $T_J = 25^\circ\text{C}$ ,  $L = 0.35\text{mH}$ ,  $R_G = 25\Omega$ ,  $I_{AS} = 35\text{A}$ .
- ③ Pulse width  $\leq 400\mu\text{s}$ ; duty cycle  $\leq 2\%$ .
- ④  $R_\theta$  is measured at  $T_J$  of approximately  $90^\circ\text{C}$ .
- ⑤ Half sine wave with duty cycle = 0.25,  $t_{on} = 1\mu\text{sec}$ .
- ⑥ Applicable to Sustain and Energy Recovery applications.

Data and specifications subject to change without notice.  
 This product has been designed and qualified for the Industrial market.  
 Qualification Standards can be found on IR's Web site.

International  
**IR** Rectifier

**IR WORLD HEADQUARTERS:** 233 Kansas St., El Segundo, California 90245, USA Tel: (310) 252-7105  
 TAC Fax: (310) 252-7903

Visit us at [www.irf.com](http://www.irf.com) for sales contact information. 12/2009

## **IMPORTANT NOTICE**

The information given in this document shall in no event be regarded as a guarantee of conditions or characteristics ("Beschaffheitsgarantie").

With respect to any examples, hints or any typical values stated herein and/or any information regarding the application of the product, Infineon Technologies hereby disclaims any and all warranties and liabilities of any kind, including without limitation warranties of non-infringement of intellectual property rights of any third party.

In addition, any information given in this document is subject to customer's compliance with its obligations stated in this document and any applicable legal requirements, norms and standards concerning customer's products and any use of the product of Infineon Technologies in customer's applications.

The data contained in this document is exclusively intended for technically trained staff. It is the responsibility of customer's technical departments to evaluate the suitability of the product for the intended application and the completeness of the product information given in this document with respect to such application.

For further information on the product, technology, delivery terms and conditions and prices please contact your nearest Infineon Technologies office ([www.infineon.com](http://www.infineon.com)).

## **WARNINGS**

Due to technical requirements products may contain dangerous substances. For information on the types in question please contact your nearest Infineon Technologies office.

Except as otherwise explicitly approved by Infineon Technologies in a written document signed by authorized representatives of Infineon Technologies, Infineon Technologies' products may not be used in any applications where a failure of the product or any consequences of the use thereof can reasonably be expected to result in personal injury.