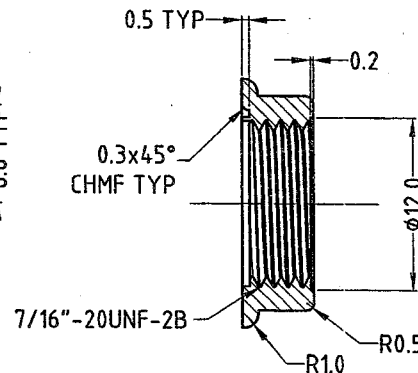
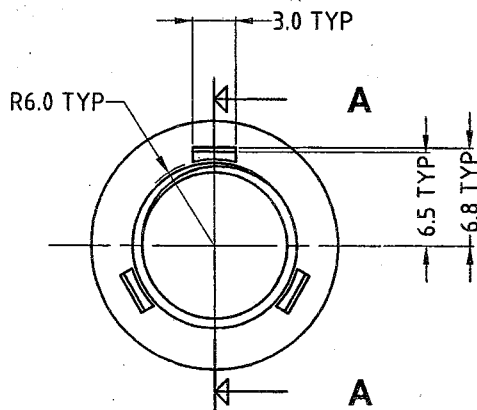
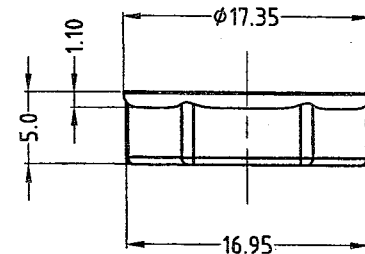
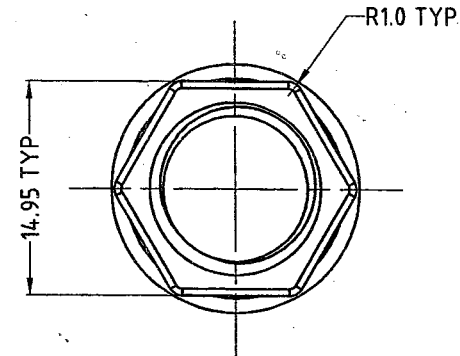


ISO VIEW



DETAIL A-A



NOTE:

1. MATERIAL: NORYL N190
2. FINISH: EXTERNAL SURFACE TO HAVE MOLD-TECH MT-11020 ETCH FINISH SURFACE TO BE CLEAN AND FLASH FREE
3. DRAFT MUST BE WITHIN TOLERANCE
4. ALL RADII TO BE 0.2mm, U.O.S

Amphenol PCD Shenzhen
受控文件
2009年02月18日

UNLESS OTHERWISE SPECIFIED TOLERANCE TO BE		THIS DOCUMENT IS THE PROPERTY OF AMPHENOL AUSTRALIA PTY. LTD. NO PART THEREOF MAY BE REPRODUCED AND USED WITHOUT THE PRIOR WRITTEN CONSENT OF THE OWNER				0	FIRST ISSUE	L.V	25-06-04	----	
LINEAR	ANGULAR	CAD FILE: 52170032531110				DRN:	LV	DATE:	25-06-04	TITLE:	
X ± 0.5	X° ± 1°	MATERIAL: REFER TO NOTE 1				CKD:	M.N.H	DATE:	21-10-04	PLASTIC NUT 7/16"-20UNF-2B (LARGE)	
X, X _K ± 0.1	X° ± 30'	FINISH: REFER TO NOTE 2				APP'D:	P.M	DATE:	21-10-04		
X, X _K ± 0.05	X° ± 15'	DIMENSIONS IN MILLIMETRES				THIRD ANGLE PROJECTION	SCALE:	2:1 UOS	PART No:	52170032-531	SIZE: A4
						BY		DATE	CHG/No	Amphenol Amphenol Australia Pty Ltd, 2 Finways Blvd, Werribee, Vic 3039 DRAWING NO. SHEET	
										52170032-531-1	1 OF 1