

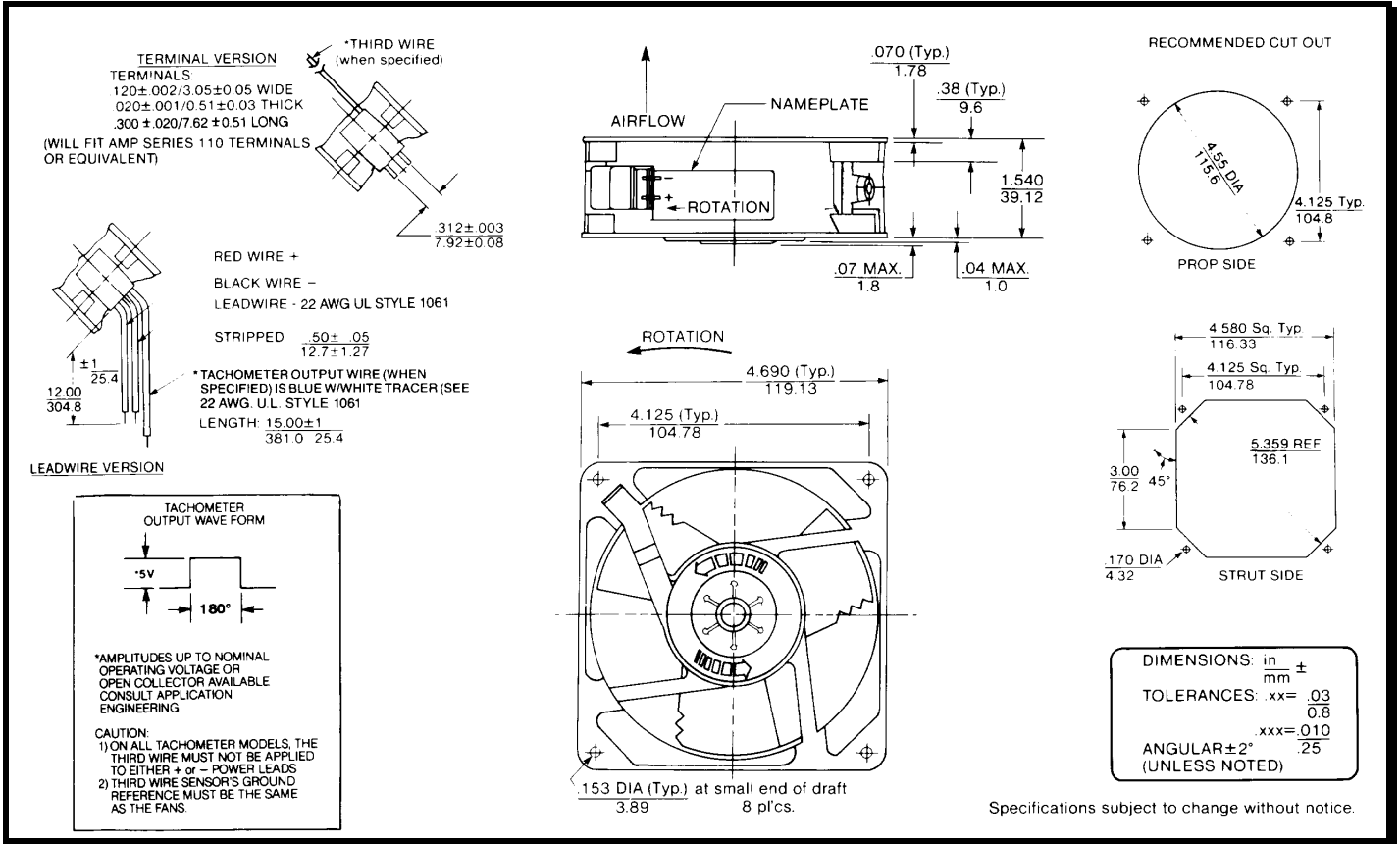
SPECIFICATIONS

(RoHS Compliant)



Model Number: MD12B2
Part Number: 19028868A **SPEC Number:** 26013928A01 **Jan.12.2013**

Mechanical Drawing:



Motor:

Nominal Voltage = 12 vdc
 Operating Voltage Range = 6 - 14vdc
 Nominal Running Current = 0.500 amps
 Locked Rotor Current = 1.650 amps
 Running Power = 6.0 watts
 Average Speed = 3330 rpm
 Bearings = Ball
 Air Flow = 110 CFM
 Acoustic = 50 dBA

Construction:

Venturi: Die-Cast Zinc Alloy, Black
 Propeller: Plastic, Black, UL 94V-0

Life Expectancy:

This fan is designed for continuous duty life of 83,000 hours at 40°C.

Additional Features:

Brushless DC Motor
 Locked Rotor Protection
 Polarity Protection
 Automatic Restart Capability
 Operating Temperature: -10°C to 70°C
 Storage Temperature: -40°C to 85°C

Termination:

2 Terminals

Agency Approvals:

UL, CE