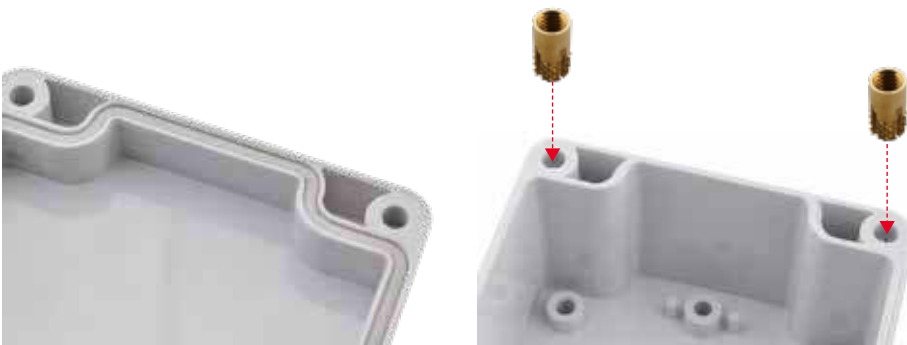


The product advantages

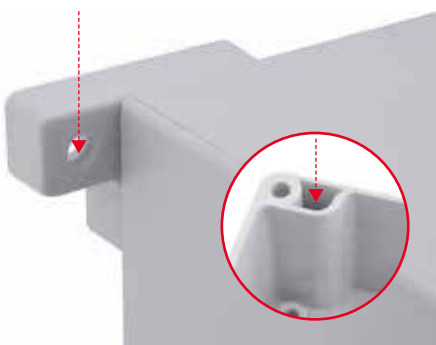


Euromas is a classic industrial enclosure which is available in three different material variants: ABS, polycarbonate and polycarbonate with UL 94 V-0 flame protection. A transparent cover allows a view into the enclosure.



The factory-fitted round cord seal can be replaced by a silicone seal with greater temperature resistance. Depending on the type, a higher protection class can also be achieved by using a moulded-in PU seal.

The lid screws – secured against falling out – are screwed into high-quality threaded bushings. No thread wear even when the enclosure is opened multiple times.



The enclosure can be fitted to the wall by means of the screw channels in the base or wall brackets.



Special versions with an F05 mounting flange in antistatic Vestamid plastic for applications on actuators and valves



Quick-Finder:
www.bopla.de/02

Examples of use



Euromas ABS | PC | F05



Colour:

- Light grey, similar to RAL 7035
- V 215: Black, similar to RAL 9005

Special colours on request

Protection class:

Depending on the model IP65 or IP66 / DIN EN 60529
IP68 (1.2 m- 2 h) on request from some sizes possible

Material:

Enclosure: ABS or PC (UV-stabilisiert) such as selected sizes in PC UL 94 V-0
(other UL 94 V-0 versions on request)
V215: Vestamid
Seal: CR

For details see technical information.



Enclosure sizes

M / T 205
M / T 206



M / T 208



M / T 210
M / T 215
M / T 216



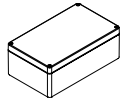
M / T 217



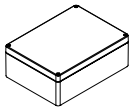
M / T 219
M / T 220



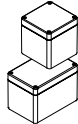
M / T 221



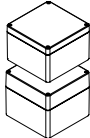
M / T 223



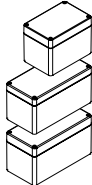
M / T 225
M / T 226



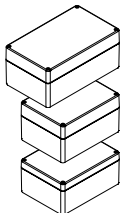
M / T 227
M / T 228



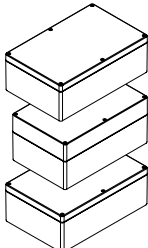
M / T 230
M / T 231
M / T 235



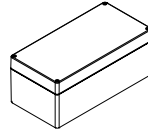
M / T 237
M / T 238
M / T 2381



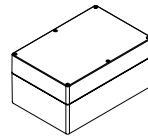
M / T 240
M / T 2401
M / T 241



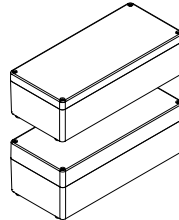
M / T 242



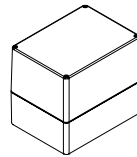
M / T 243



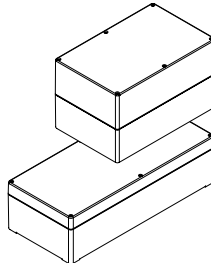
M / T 244
M / T 245



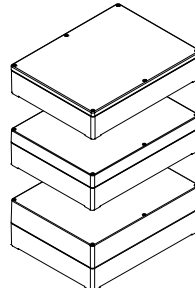
M / T 246



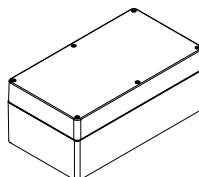
M / T 250
M / T 251



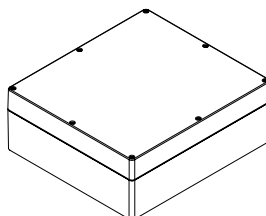
M / T 252
M / T 253
M / T 254



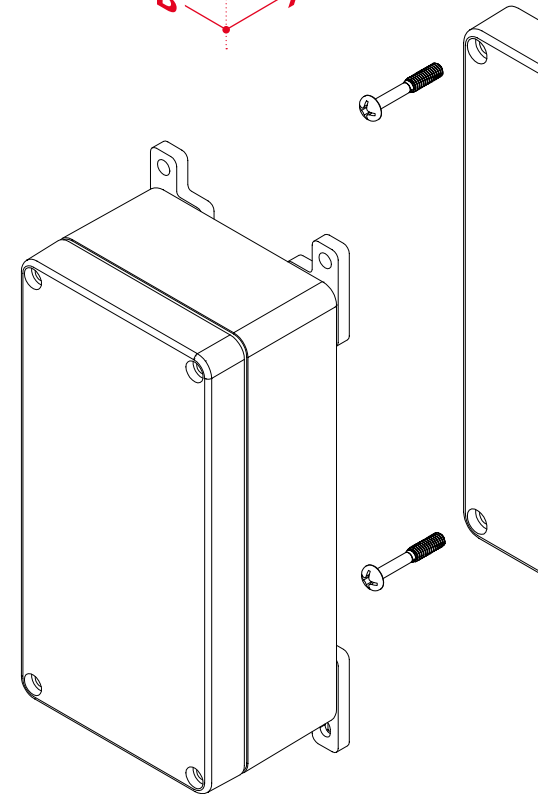
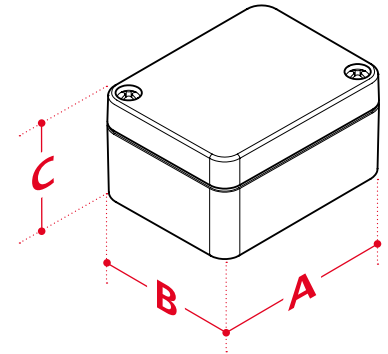
M / T 255



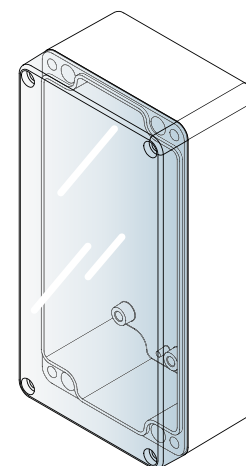
T 260



Design types

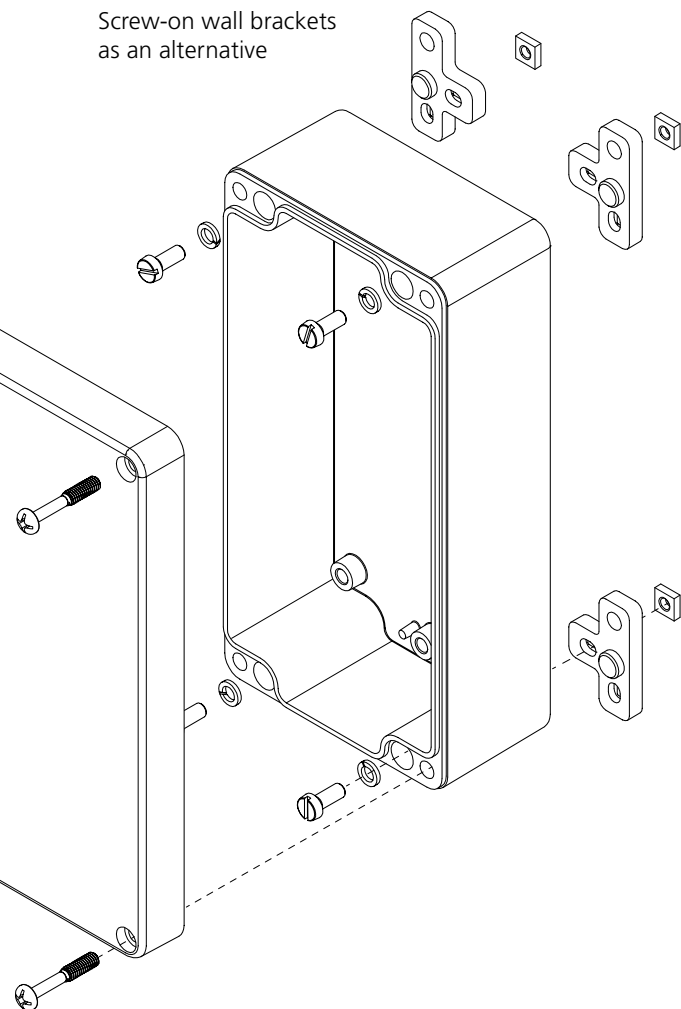


Crystal-clear cover (G)

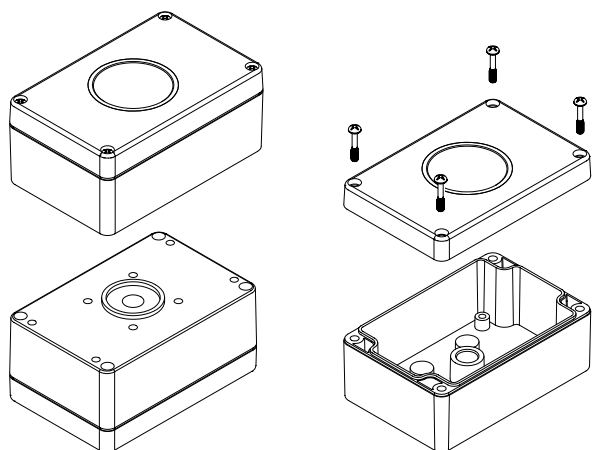


Euromas ABS | PC | F05

Screw-on wall brackets
as an alternative



V 215 F05
Variant with F05 holder



Dimensions

Modell	A	B	C	G	V0*
M / T 205	52	50	35	✓	✓
M / T 206	65	50	35	✓	✓
M / T 208	98	64	36.4		✓
M / T 210	82	80	55	✓	✓
M / T 215	120	80	55	✓	✓
M / T 216	120	80	60	✓	
M / T 217	122	120	55	✓	✓
M / T 219	160	80	60		
M / T 220	160	80	55	✓	✓
M / T 221	200	120	75	✓	✓
M / T 223	200	150	75	✓	✓
M / T 225	82	80	85	✓	✓
M / T 226	120	80	85	✓	✓
M / T 227	122	120	85	✓	✓
M / T 228	122	120	105	✓	✓
M / T 230	120	80	90		
M / T 231	160	80	85	✓	✓
M / T 235	160	80	90		✓
M / T 237	200	120	90	✓	
M / T 238	160	120	90	✓	✓
M / T 2381	160	120	75	✓	
M / T 240	250	160	90	✓	
M / T 2401	240.3	160.3	90	✓	✓
M / T 241	250	160	119		
M / T 242	240.5	120	100.5	✓	✓
M / T 243	240.3	160.3	120	✓	
M / T 244	340	150	100	✓	
M / T 245	340	150	120		
M / T 246	160	120	140	✓	
M / T 250	250	160	150		
M / T 251	360	160	100		
M / T 252	300	230	65		
M / T 253	300	230	85	✓	
M / T 254	300	230	110	✓	
M / T 255	360	200	149.5	✓	
T 260	360	400	150		
V 215 F05...	120	80	55		✓

* V0 = version using UL 94 V0 enclosure material

Accessories



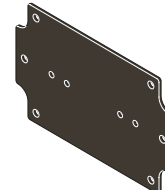
Knurled screws / Rubber feet



DIN rails
TH 15, G 32, TH 35



Mast mounting



Mounting panels in different versions

Euromas ABS / PC / F05

ABS, single-colored



Enclosure, ABS

Model	Order no.	A	B	C	a1	a2	b1	b2	b3	c1	c2	IP
T 205	03205000	52	50	35	46.4	30	44.4	28.2	-	10	31	66
T 205 SV	03205400*	52	50	35	46.4	30	44.4	28.2	-	10	31	65
T 206	03206000	65	50	35	59.4	43	44	27.7	-	10	29.5	66
T 206 SV	03206400*	65	50	35	59.4	43	44	27.7	-	10	29.5	65
T 208	03208000	98	64	36.4	89.4	74	55.4	32	-	9.2	29.4	66
T 208 SV	03208400*	98	64	36.4	89.4	74	55.4	32	-	9.2	29.4	65
T 210	03210000	82	80	55	75.3	56.6	73.3	36.5	-	15	49	66
T 210 SV	03210400*	82	80	55	75.3	56.6	73.3	36.5	-	15	49	65
T 215	03215000	120	80	55	113.3	94.5	73.3	36.5	-	15	49.5	66
T 215 SV	03215400*	120	80	55	113.3	94.5	73.3	36.5	-	15	49.5	65
T 216	03216000	120	80	60	113.3	94.5	73.3	36.5	-	20	54	66
T 216 SV	03216400*	120	80	60	113.3	94.5	73.3	36.5	-	20	54	65
T 217	03217000	122	120	55	115.3	96.5	113.3	76.5	-	15	48	65
T 217 SV	03217400*	122	120	55	115.3	96.5	113.3	76.5	-	15	48	65
T 219	03219000	160	80	60	153.5	134.7	73.5	36.7	-	20	54	66
T 219 SV	03219400*	160	80	60	153.5	134.7	73.5	36.7	-	20	54	65
T 220	03220000	160	80	55	153.5	134.7	73.5	36.7	-	15	49	66
T 220 SV	03220400*	160	80	55	153.5	134.7	73.5	36.7	-	15	49	65
T 221	03221000	200	120	75	193	174.2	113	74.2	-	15	68.5	66
T 221 SV	03221400*	200	120	75	193	174.2	113	74.2	-	15	68.5	65
T 223	03223000	200	150	75	193	174	143	105	-	15	68.5	65
T 223 SV	03223400*	200	150	75	193	174	143	105	-	15	68.5	65
T 225	03225000	82	80	85	75	56	73	36	-	15	79	66
T 225 SV	03225400*	82	80	85	75	56	73	36	-	15	79	65
T 226	03226000	120	80	85	113	94	73	36	-	15	79.5	65
T 226 SV	03226400*	120	80	85	113	94	73	36	-	15	79.5	65
T 227	03227000	122	120	85	115	96.2	113	76.2	-	15	78	66
T 227 SV	03227400*	122	120	85	115	96.2	113	76.2	-	15	78	65
T 228	03228000	122	120	105	115	96.2	113	76.2	-	35	98.5	66
T 230	03230000	120	80	90	113	94	73	36	-	20	84	66
T 230 SV	03230400*	120	80	90	113	94	73	36	-	20	84	65
T 231	03231000	160	80	85	153	134	73	36	-	15	79	66
T 231 SV	03231400*	160	80	85	153	134	73	36	-	15	79	65
T 235	03235000	160	80	90	153	134	73	36	-	20	84	66
T 235 SV	03235400*	160	80	90	153	134	73	36	-	20	84	65
T 237	03237000	200	120	90	193	174.2	113	74.2	-	30	83.5	66
T 237 SV	03237400*	200	120	90	193	174.2	113	74.2	-	30	83.5	65
T 238	03238000	160	120	90	153	134.2	113	74.2	-	30	83.5	66
T 238 SV	03238400*	160	120	90	153	134.2	113	74.2	-	30	83.5	65
T 2381	03238200	160	120	75	153	134.2	113	74.2	-	15	68.5	66
T 240	03240000	250	160	90	243	224	153	115	134	15	84	65
T 240 SV	03240400*	250	160	90	243	224	153	115	134	15	84	65
T 2401	03240200	240.3	160.3	90	233	214.7	153	116.7	134.7	15	84	66
T 2401 SV	03240240*	240.3	160.3	90	233	214.7	153	116.7	134.7	15	84	65
T 241	03241000	250	160	119	243	224	153	115	134	44	113	66
T 241 SV	03241400*	250	160	119	243	224	153	115	134	44	113	65
T 242	03242000	240.5	120	100.5	233.5	216.2	113	76.9	-	25	94	66
T 243	03243000	240.3	160.3	120	233	214.7	153	116.7	134.7	45	113.5	66
T 243 SV	03243400*	240.3	160.3	120	233	214.7	153	116.7	134.7	45	113.5	65
T 244	03244000	340	150	100	329.3	301.3	139.3	87.3	-	20	92.5	65

Euromas ABS / PC / F05

ABS, single-colored

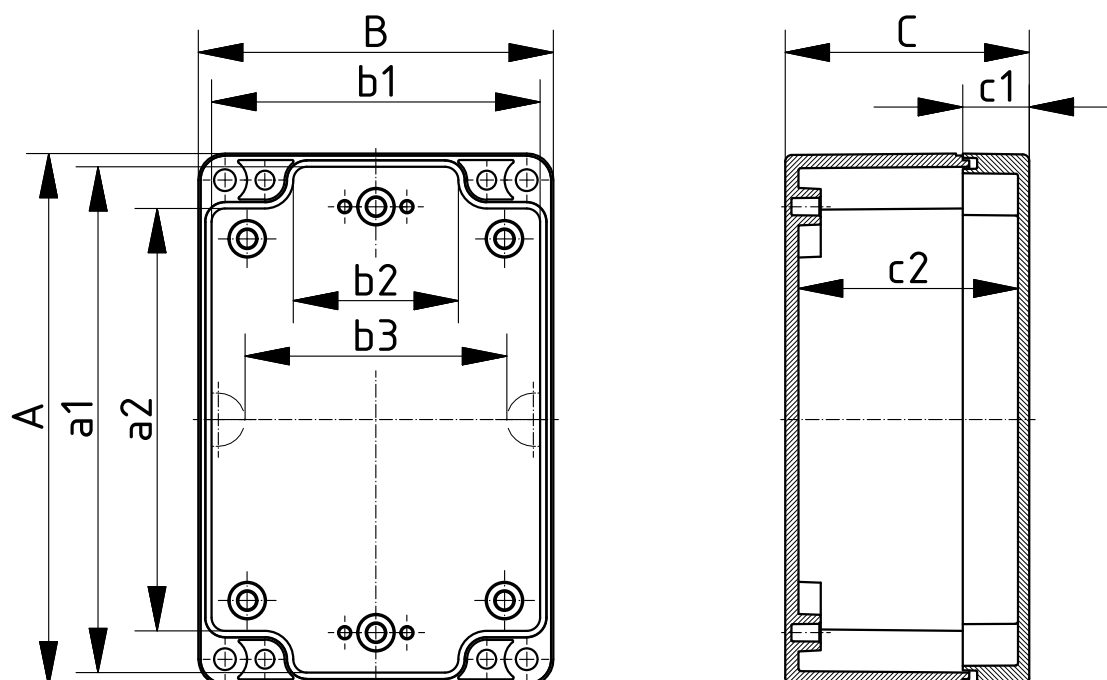
Enclosure, ABS

Model	Order no.	A	B	C	a1	a2	b1	b2	b3	c1	c2	IP
T 245	03245000	340	150	120	329.3	301.3	139.3	87.3	-	40	113	66
T 246	03246000	160	120	140	153	134.2	113	74.2	-	80	133.5	66
T 250	03250000	250	160	150	243	224	153	115	134	75	144	66
T 251	03251000	360	160	100	351.7	333.7	151.7	113.7	134.7	25	93.5	66
T 253	03253000	300	230	85	293.1	274.1	223.1	186.1	204.1	30	78.5	65
T 253 SV	03253400*	300	230	85	293.1	274.1	223.1	186.1	204.1	30	78.5	65
T 254	03254000	300	230	110	293.1	274.1	223.1	186.1	204.1	55	103.5	65
T 254 SV	03254400*	300	230	110	293.1	274.1	223.1	186.1	204.1	55	103.5	65
T 255	03255000	360	200	149.5	350.3	318.3	190.3	138.3	159.3	49.5	142	66
T 255 SV	03255400*	360	200	149.5	350.3	318.3	190.3	138.3	159.3	49.5	142	65
T 260	03260000	360	400	150	350.3	318.3	390.3	338.3	358.3	50	142	66



Scope Of Delivery: Lid and base, lid screws made of V2A, self-tapping screws for mounting bosses

Notes: SV = version with quick-release fastener. IP = Ingress protection acc. to DIN EN 60529 Material shrinkage may result in ABS enclosures being approx. 0.1 – 0.25 % larger.



Z-2503224

Euromas ABS / PC / F05

PC, single-coloured

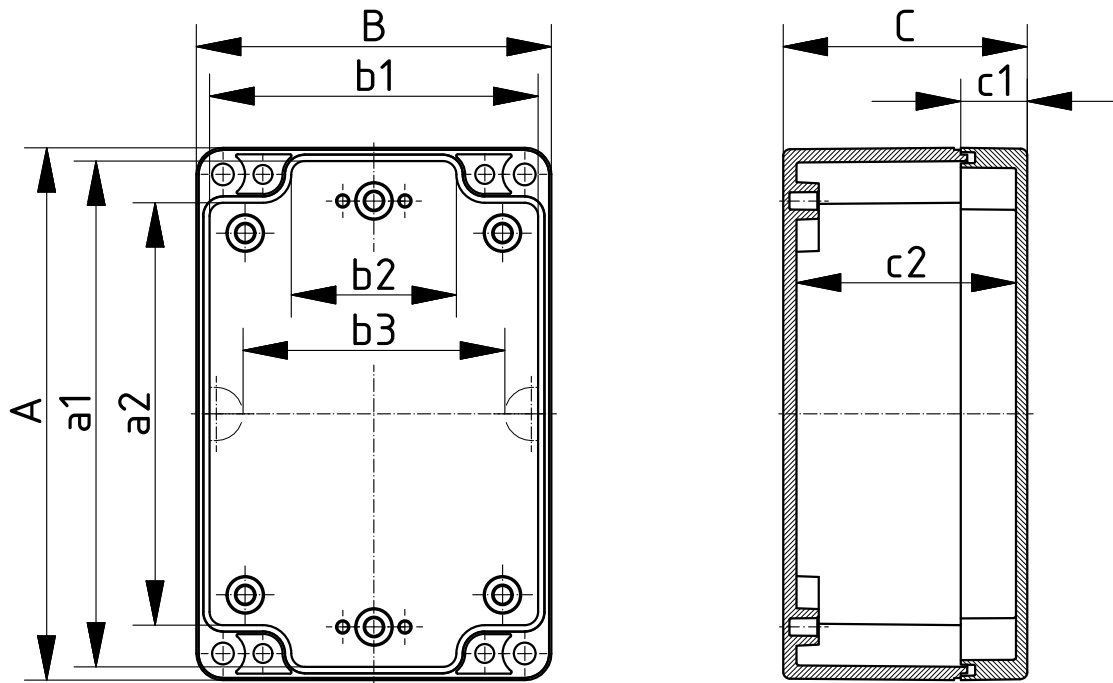


Enclosure, polycarbonate

Model	Order no.	A	B	C	a1	a2	b1	b2	b3	c1	c2	IP
M 205	02205000	52	50	35	46.4	30	44.4	28.2	-	10	31	66
M 206	02206000	65	50	35	59.4	43	44	27.7	-	10	29.5	66
M 208	02208000	98	64	36.4	89.4	74	55.4	32	-	9.2	29.4	66
M 210	02210000	82	80	55	75.3	56.6	73.3	36.5	-	15	49	66
M 215	02215000	120	80	55	113.3	94.5	73.3	36.5	-	15	49.5	66
M 216	02216000	120	80	60	113.3	94.5	73.3	36.5	-	20	54	66
M 217	02217000	122	120	55	115.3	96.5	113.3	76.5	-	15	48	66
M 219	02219000	160	80	60	153.5	134.7	73.5	36.7	-	20	54	66
M 220	02220000	160	80	55	153.5	134.7	73.5	36.7	-	15	49	66
M 221	02221000	200	120	75	193	174.2	113	74.2	-	15	68.5	66
M 223	02223000	200	150	75	193	174	143	105	-	15	68.5	65
M 225	02225000	82	80	85	75	56	73	36	-	15	79	66
M 226	02226000	120	80	85	113	94	73	36	-	15	79.5	65
M 227	02227000	122	120	85	115	96.2	113	76.2	-	15	78	65
M 228	02228000	122	120	105	115	96.2	113	76.2	-	35	98.5	66
M 230	02230000	120	80	90	113	94	73	36	-	20	84	66
M 231	02231000	160	80	85	153	134	73	36	-	15	79	66
M 235	02235000	160	80	90	153	134	73	36	-	20	84	65
M 237	02237000	200	120	90	193	174.2	113	74.2	-	30	83.5	66
M 238	02238000	160	120	90	153	134.2	113	74.2	-	30	83.5	66
M 2381	02238200	160	120	75	153	134.2	113	74.2	-	15	68.5	65
M 240	02240000	250	160	90	243	224	153	115	134	15	84	65
M 2401	02240200	240.3	160.3	90	233	214.7	153	116.7	134.7	15	84	66
M 241	02241000	250	160	119	243	224	153	115	134	44	113	66
M 242	02242000	240.5	120	100.5	233.5	216.2	113	76.9	-	25	94	66
M 243	02243000	240.3	160.3	120	233	214.7	153	116.7	134.7	45	113.5	66
M 244	02244000	340	150	100	329.3	301.3	139.3	87.3	-	20	92.5	66
M 245	02245000	340	150	120	329.3	301.3	139.3	87.3	-	40	113	66
M 246	02246000	160	120	140	153	134.2	113	74.2	-	80	133.5	66
M 250	02250000	250	160	150	243	224	153	115	134	75	144	66
M 251	02251000	360	160	100	351.7	333.7	151.7	113.7	134.7	25	93.5	66
M 252	02252000	300	230	65	293.1	274.1	223.1	186.1	204.1	10	58.5	65
M 253	02253000	300	230	85	293.1	274.1	223.1	186.1	204.1	30	78.5	65
M 254	02254000	300	230	110	293.1	274.1	223.1	186.1	204.1	55	103.5	65
M 255	02255000	360	200	149.5	350.3	318.3	190.3	138.3	159.3	49.5	142	66

Scope Of Delivery: Lid and base, lid screws made of V2A, self-tapping screws for mounting bosses

Notes: G = Design with crystal-clear lid. IP = Ingress protection acc. to DIN EN 60529



Z-2503224

Euromas ABS / PC / F05

PC, crystal-clear lid

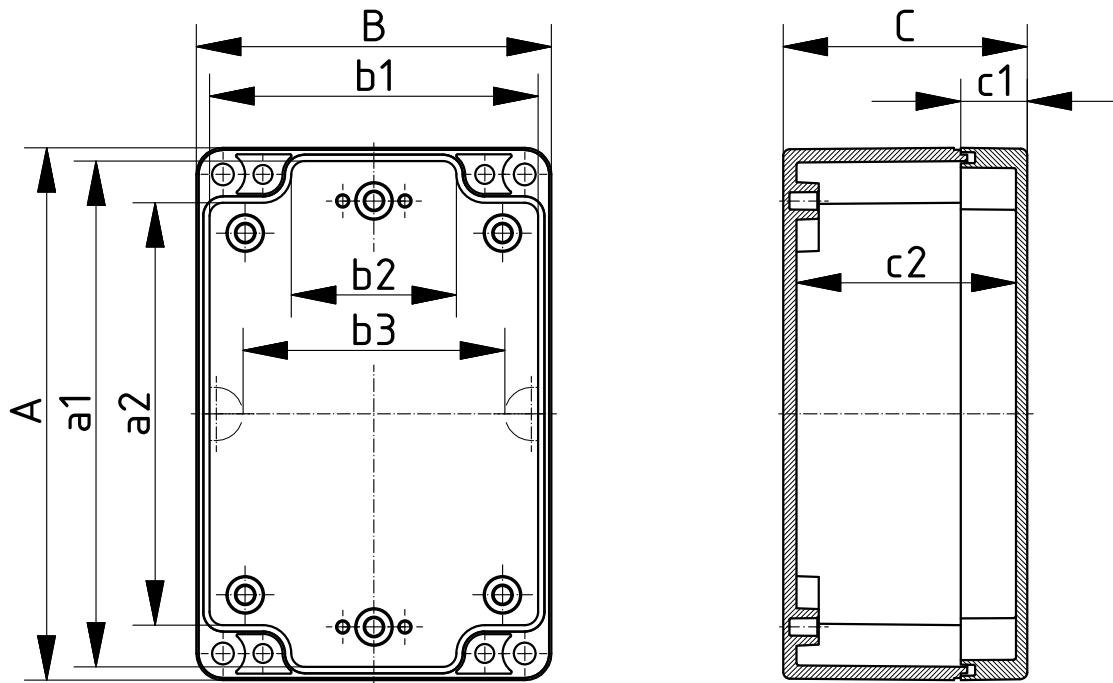


Enclosure, polycarbonate

Model	Order no.	A	B	C	a1	a2	b1	b2	b3	c1	c2	IP
M 205 G	02205400	52	50	35	46.4	30	44.4	28.2	-	10	31	66
M 206 G	02206200	65	50	35	59.4	43	44	27.7	-	10	29.5	66
M 210 G	02210100	82	80	55	75.3	56.6	73.3	36.5	-	15	49	66
M 215 G	02215100	120	80	55	113.3	94.5	73.3	36.5	-	15	49.5	66
M 216 G	02216100*	120	80	60	113.3	94.5	73.3	36.5	-	20	54	66
M 217 G	02217200	122	120	55	115.3	96.5	113.3	76.5	-	15	48	66
M 220 G	02220100	160	80	55	153.5	134.7	73.5	36.7	-	15	49	66
M 221 G	02221100	200	120	75	193	174.2	113	74.2	-	15	68.5	66
M 223 G	02223100	200	150	75	193	174	143	105	-	15	68.5	65
M 225 G	02225100	82	80	85	75	56	73	36	-	15	79	66
M 226 G	02226100	120	80	85	113	94	73	36	-	15	79.5	65
M 227 G	02227100	122	120	85	115	96.2	113	76.2	-	15	78	65
M 228 G	02228100	122	120	105	115	96.2	113	76.2	-	35	98.5	66
M 231 G	02231100	160	80	85	153	134	73	36	-	15	79	66
M 237 G	02237100	200	120	90	193	174.2	113	74.2	-	30	83.5	66
M 238 G	02238100	160	120	90	153	134.2	113	74.2	-	30	83.5	66
M 2381 G	02238300	160	120	75	153	134.2	113	74.2	-	15	68.5	66
M 240 G	02240100	250	160	90	243	224	153	115	134	15	84	65
M 2401 G	02240300	240.3	160.3	90	233	214.7	153	116.7	134.7	15	84	65
M 242 G	02242100	240.5	120	100.5	233.5	216.2	113	76.9	-	25	94	65
M 243 G	02243100	240.3	160.3	120	233	214.7	153	116.7	134.7	45	113.5	66
M 244 G	02244100	340	150	100	329.3	301.3	139.3	87.3	-	20	92.5	66
M 246 G	02246100	160	120	140	153	134.2	113	74.2	-	80	133.5	66
M 253 G	02253100	300	230	85	293.1	274.1	223.1	186.1	204.1	30	78.5	66
M 254 G	02254100	300	230	110	293.1	274.1	223.1	186.1	204.1	55	103.5	66
M 255 G	02255100	360	200	149.5	350.3	318.3	190.3	138.3	159.3	49.5	142	65

Scope Of Delivery: Lid and base, lid screws made of V2A, self-tapping screws for mounting bosses

Notes: G = Design with crystal-clear lid. IP = Ingress protection acc. to DIN EN 60529



Z-2503224

Euromas ABS / PC / F05

PC UL 94 V0, single-coloured

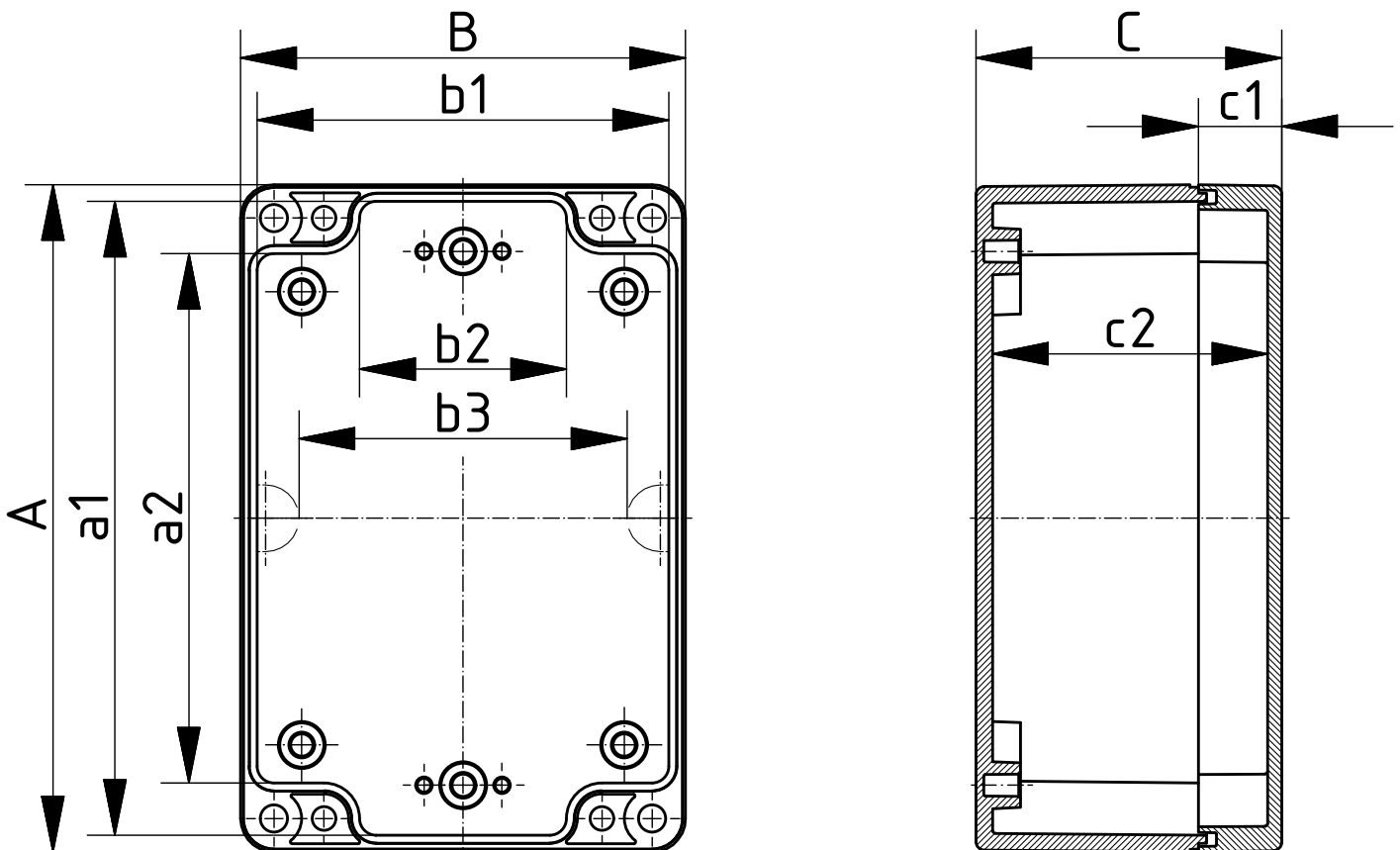


Enclosures, polycarbonate V0

Model	Order no.	A	B	C	a1	a2	b1	b2	b3	c1	c2	IP
M 205-V0	02205094	52	50	35	46.4	30	44.4	28.2	-	10	31	66
M 206-V0	02206094	65	50	35	59.4	43	44	27.7	-	10	29.5	66
M 208-V0	02208094	98	64	36.4	89.4	74	55.4	32	-	9.2	29.4	66
M 210-V0	02210094	82	80	55	75.3	56.6	73.3	36.5	-	15	49	66
M 215-V0	02215094	120	80	55	113.3	94.5	73.3	36.5	-	15	49.5	66
M 217-V0	02217094	122	120	55	115.3	96.5	113.3	76.5	-	15	48	66
M 220-V0	02220094	160	80	55	153.5	134.7	73.5	36.7	-	15	49	66
M 221-V0	02221094	200	120	75	193	174.2	113	74.2	-	15	68.5	66
M 223-V0	02223094	200	150	75	193	174	143	105	-	15	68.5	65
M 225-V0	02225094	82	80	85	75	56	73	36	-	15	79	66
M 226-V0	02226094	120	80	85	113	94	73	36	-	15	79.5	65
M 227-V0	02227094	122	120	85	115	96.2	113	76.2	-	15	78	66
M 228-V0	02228094	122	120	105	115	96.2	113	76.2	-	35	98.5	66
M 231-V0	02231094	160	80	85	153	134	73	36	-	15	79	66
M 237-V0	02237094	200	120	90	193	174.2	113	74.2	-	30	83.5	66
M 238-V0	02238094	160	120	90	153	134.2	113	74.2	-	30	83.5	66
M 2401-V0	02240294	240.3	160.3	90	233	214.7	153	116.7	134.7	15	84	66
M 242-V0	02242094	240.5	120	100.5	233.5	216.2	113	76.9	-	25	94	66
M 255-V0	02255094	360	200	149.5	350.3	318.3	190.3	138.3	159.3	49.5	142	66

Scope Of Delivery: Lid and base, lid screws made of V2A, self-tapping screws for mounting bosses

Notes: V0 = version in UL 94 V0 enclosure material. IP = Ingress protection acc. to DIN EN 60529



Z-2503224

Euromas ABS / PC / F05

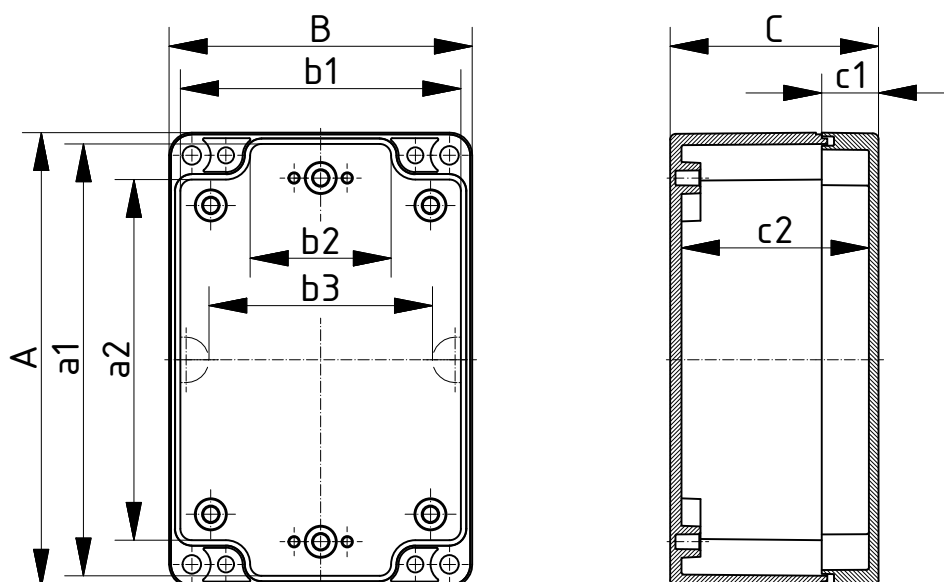
Enclosures with F05 insertion

Enclosure, Vestamid, with F05 opening, black, IP 65

Model	Order no.	A	B	C	IP	Note
V 215 F05-PST	02215612	120	80	55	65	Euromas Vestamid enclosure with F05 insertion opening, with PST cut-out
V 215 F05-FG-PST	02215622	120	80	55	65	Euromas Vestamid enclosure with F05 insertion opening, with PST cut-out and window
V 215 F05-ZR	02215613	120	80	55	65	Euromas Vestamid enclosure with F05 insertion opening, with centring ring
V 215 F05-FG-ZR	02215623	120	80	55	65	Euromas Vestamid enclosure with F05 insertion opening, window and centring ring

Scope Of Delivery: Base, lid

Notes: Please order Pg 13 plug-in cable gland for PST cut-out separately (order no. 12060407). Design with crystal-clear lid (PC) and in enclosure material PC-light grey, similar to RAL 7035, available on request. Important: As the installation of the adjusting axis including the adjusting axis seal only takes place during complete assembly of the enclosure, the manufacturer of the complete unit is responsible for ensuring compliance with protection class IP 65 acc. to DIN EN 60529 for this sealed point! The enclosure manufacturer cannot accept any warranty in respect of this.



Z-2503224

Euromas ABS / PC / F05

Mounting panels



Mounting plates, laminated paper, galvanised steel for version 260

Model	Order no.	IP	Note
M	22000100		For EM/ET 205, M/T 205
M	22000200		For EM/ET 206, M/T 206
M	22000300		For EM/ET 210, EM/ET 225, M/T 210, M/T 225
M	22000400		For EM/ET 215, M/T 215-216, M/T 226, M/T 230
M	22000500		For EM/ET 217, EM/ET 227, M/T 217, M/T 227-228
M	22000600		For EM/ET 220, EM/ET 231, M/T 219-220, M/T 231-235
M	22000700		For EM/ET 221, EM/ET 237, M/T 221, M/T 237
M	22000800		For EM/ET 223, M/T 223
M	22000900		For EM/ET 239-241, M/T 240, M/T 241, M/T 250
M	22001000		For M/T 2401, M/T 243
M	22001100		For EM/ET 238, M/T 238, M/T 246
M	22001200		For EM/ET 242, M/T 242
M	22001300		For M/T 244-245
M	22001400		For M/T 251
M	22001500		For M/T 252-254
M	22001600		For M/T 255
M	22001610		For M/T 260

Scope Of Delivery: 1 mounting panel

Euromas ABS / PC / F05

Accessories

Mast mounting, stainless steel V2A, uncoated

Model	Order no.	IP
MH 080	96500080	
MH 122	96500122	
MH 167	96500167	
MH 220	96500220	
MH 265	96500265	

Scope Of Delivery: MH: 1 set (2 pieces) BFS: 20 pieces

Notes: Please order the assembly kit and mast clamp as per the table.



Assembly kit for mast mounting

Model	Order no.	IP	Note
BFS MH 1	96500001		Fixing kit
BFS MH 2	96500002		Fixing kit
BFS MH 3	96500003		Fixing kit

Scope Of Delivery: 20 pieces (for 5 sets of mast mountings)

Notes: Details of the matching mast mounting for each enclosure size and the accompanying assembly kit can be found in the table (see "Product information").



Clamp for mast mounting, stainless steel

Model	Order no.	IP	Note
MH S 32-50	96500050		Terminal area 32-50 mm
MH S 50-70	96500070		Terminal area 50-70 mm
MH S 70-90	96500090		Terminal area 70-90 mm
MH S 90-110	96500110		Terminal area 90-110 mm
MH S 110-130	96500130		Terminal area 110-130 mm
MH S 130-150	96500150		Terminal area 130-150 mm
MH S 150-170	96500175		Terminal area 150-170 mm
MH S 170-190	96500190		Terminal area 170-190 mm
MH S 190-210	96500210		Terminal area 190-210 mm

Scope Of Delivery: 10 pieces



Verwendung der Mastbefestigung für Euromas ABS / PC
Use of the mast mounting for Euromas ABS / PC

Bitte wählen Sie anhand dieser Tabelle je nach Größe und Ausrichtung des Gehäuses die passende Mastbefestigung und den dazugehörigen Befestigungssatz aus.

Please use this table to select the appropriate mast mounting and the associated mounting kit, depending on the size and alignment of the enclosure.

Ausrichtung des Gehäuses / Alignment of the enclosure :

H = horizontal

V = vertical

Gehäuse Enclosure		Mastbefestigung Mast mounting		Befestigungssatz Mounting kit
M/T 210 H	=	MH 080	+	BFS MH 1
M/T 210 V	=	MH 080	+	BFS MH 1
M/T 215 H	=	MH 122	+	BFS MH 1
M/T 215 V	=	MH 080	+	BFS MH 1
M/T 216 H	=	MH 122	+	BFS MH 1
M/T 216 V	=	MH 080	+	BFS MH 1
M/T 217 V/H	=	MH 122	+	BFS MH 1
M/T 219 H	=	MH 167	+	BFS MH 1
M/T 219 V	=	MH 080	+	BFS MH 1
M/T 220 H	=	MH 167	+	BFS MH 1
M/T 220 V	=	MH 080	+	BFS MH 1
M/T 221 H	=	MH 220	+	BFS MH 1
M/T 221 V	=	MH 122	+	BFS MH 1
M/T 223 H	=	MH 220	+	BFS MH 1
M/T 223 V	=	MH 167	+	BFS MH 1
M/T 225 H	=	MH 080	+	BFS MH 1
M/T 225 V	=	MH 080	+	BFS MH 1
M/T 226 H	=	MH 122	+	BFS MH 1
M/T 226 V	=	MH 080	+	BFS MH 1
M/T 227 V/H	=	MH 122	+	BFS MH 1
M/T 228 V/H	=	MH 122	+	BFS MH 1
M/T 230 H	=	MH 122	+	BFS MH 1
M/T 230 V	=	MH 080	+	BFS MH 1
M/T 231 H	=	MH 167	+	BFS MH 1
M/T 231 V	=	MH 080	+	BFS MH 1
M/T 235 H	=	MH 167	+	BFS MH 1
M/T 235 V	=	MH 080	+	BFS MH 1
M/T 237 H	=	MH 220	+	BFS MH 1
M/T 237 V	=	MH 122	+	BFS MH 1
M/T 238 H	=	MH 167	+	BFS MH 1
M/T 238 V	=	MH 122	+	BFS MH 1
M/T 2381 H	=	MH 167	+	BFS MH 1
M/T 2381 V	=	MH 122	+	BFS MH 1
M/T 240 H	=	MH 265	+	BFS MH 1
M/T 240 V	=	MH 167	+	BFS MH 1
M/T 2401 H	=	MH 265	+	BFS MH 1
M/T 2401 V	=	MH 167	+	BFS MH 1
M/T 241 H	=	MH 265	+	BFS MH 1
M/T 241 V	=	MH 167	+	BFS MH 1
M/T 242 H	=	MH 265	+	BFS MH 1
M/T 242 V	=	MH 122	+	BFS MH 1
M/T 243 H	=	MH 265	+	BFS MH 1
M/T 243 V	=	MH 167	+	BFS MH 1
M/T 246 H	=	MH 167	+	BFS MH 1
M/T 246 V	=	MH 122	+	BFS MH 1

H = horizontal



V = vertical



Euromas ABS / PC / F05

Accessories

Wall brackets on rear, screw-on, polycarbonate

Model	Order no.	IP	Note
WL	22004900		For M/T 210-243, M/T 246-253

Scope Of Delivery: 4 pieces



DIN rails DIN EN 60715 TH 15, galvanised steel

Model	Order no.	IP	Note
TS 15	22001800		For M/T 205
TS 15	22001710		For M/T 206
TS 15	22001700		For M/T 210, M/T 225
TS 15	22001900		For M/T 215-217, M/T 226-230
TS 15	22002000		For M/T 219-220, M/T 231-235, M/T 238, M/T 246, P 325, M/T 2381
TS 15	22002100		For M/T 221-223, M/T 237
TS 15	22002402		For M/T 240-243, M/T 250
TS 15	22002720		For M/T 244-245
TS 15	22002820		For M/T 251
TS 15	22002920		For M/T 252-254

Scope Of Delivery: 1 DIN rail



DIN rails DIN EN 60715 G 32, galvanised steel

Model	Order no.	IP	Note
TS 32	22001701		For M/T 210, M/T 225, P 305, P 326
TS 32	22002010		For M/T 219-220, M/T 231-235, M/T 238, M/T 246, P 316, P 325, M/T 2381
TS 32	22002110		For M/T 221-223, M/T 237
TS 32	22002300		For M/T 240, M/T 241, M/T 250
TS 32	22002400		For M/T 2401, M/T 242-243
TS 32	22002700		For M/T 244-245
TS 32	22002800		For M/T 251
TS 32	22002900		For M/T 252-254
TS 32	22002950		For M/T 255
TS 32	22002960		For M/T 260

Scope Of Delivery: 1 DIN rail



Euromas ABS / PC / F05

Accessories



DIN rails DIN EN 60715 TH 35, galvanised steel

Model	Order no.	IP	Note
TS 35	22001702		For M/T 210, M/T 225, P 305, P 326
TS 35	22001910		For M/T 215-217, M/T 226-230
TS 35	22002020		For M/T 219-220, M/T 231-235, M/T 238, M/T 246, P 316, P 325, M/T 2381
TS 35	22002115		For M/T 221-223, M/T 237
TS 35	22002310		For M/T 240, M/T 241, M/T 250
TS 35	22002401		For M/T 2401, M/T 242-243
TS 35	22002710		For M/T 244-245
TS 35	22002810		For M/T 251
TS 35	22002910		For M/T 252, 253, 254
TS 35	22002951		For M/T 255

Scope Of Delivery: 1 DIN rail



Set of hinges

Model	Order no.	IP
SchM	22006000	

Scope Of Delivery: 1 set of hinges (polycarbonate)

Notes: For use with a lid height of 15 mm and higher. Mechanical processing and mounting on request.



Threaded inserts for mounting bosses

Model	Order no.	IP	Note
DODGE M3x6,5	59002810		ND = 4.0 x 6.5
DODGE M4x9,5	59002820		ND = 5.4 x 9.5

Scope Of Delivery: 1 piece

Notes: Put the threaded insert into the boss until it touches the base. Then hammer down the stretcher plate using a pin.



Rubber feet, plug-in

Model	Order no.	IP	Note
F	22003300		For M/T 208-260

Scope Of Delivery: 4 pieces



Knurled screws

Model	Order no.	IP	Note
RD	22003100		For M/T 210-215, M/T 217, M/T 220-227, M/T 231
RD	22003200		For M/T 240-2401
RD	22003310		For M/T 241, M/T 243

Scope Of Delivery: 1 set, suitable for one enclosure

Notes: Not for use with enclosures with a quick-release fastener.



BOPLA

A Phoenix Mecano Company