

MATERIALS AND FINISHES:

FOR STANDARD SMP

BODY, CONTACT: BERYLLIUM COPPER  
 PLATED: GOLD (50μ-in MIN)  
 OVER NICKEL (100μ-in MIN)

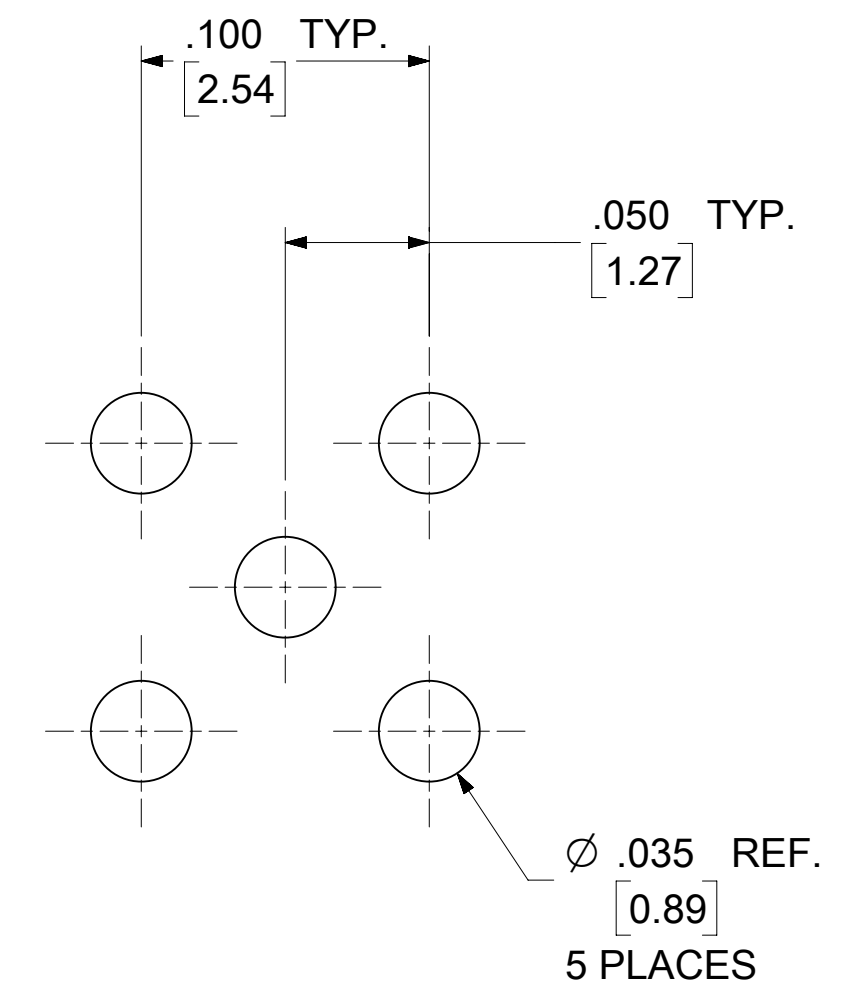
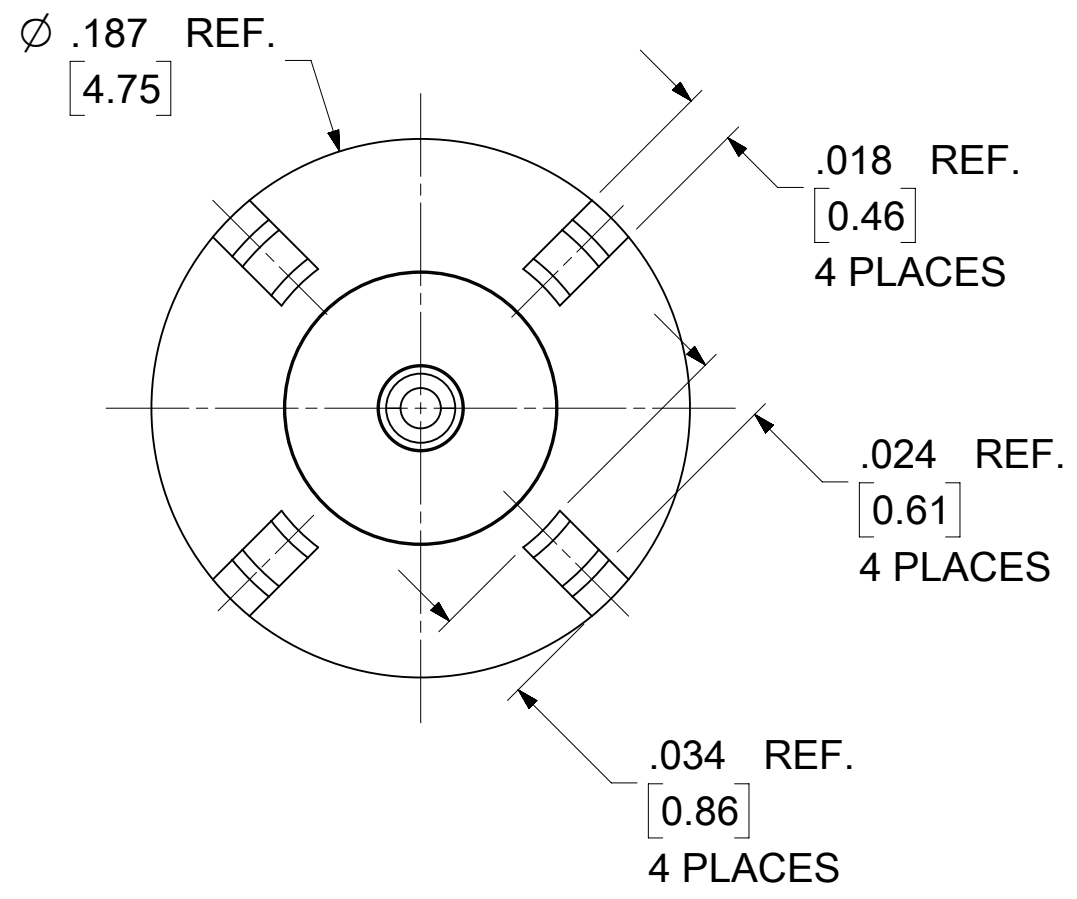
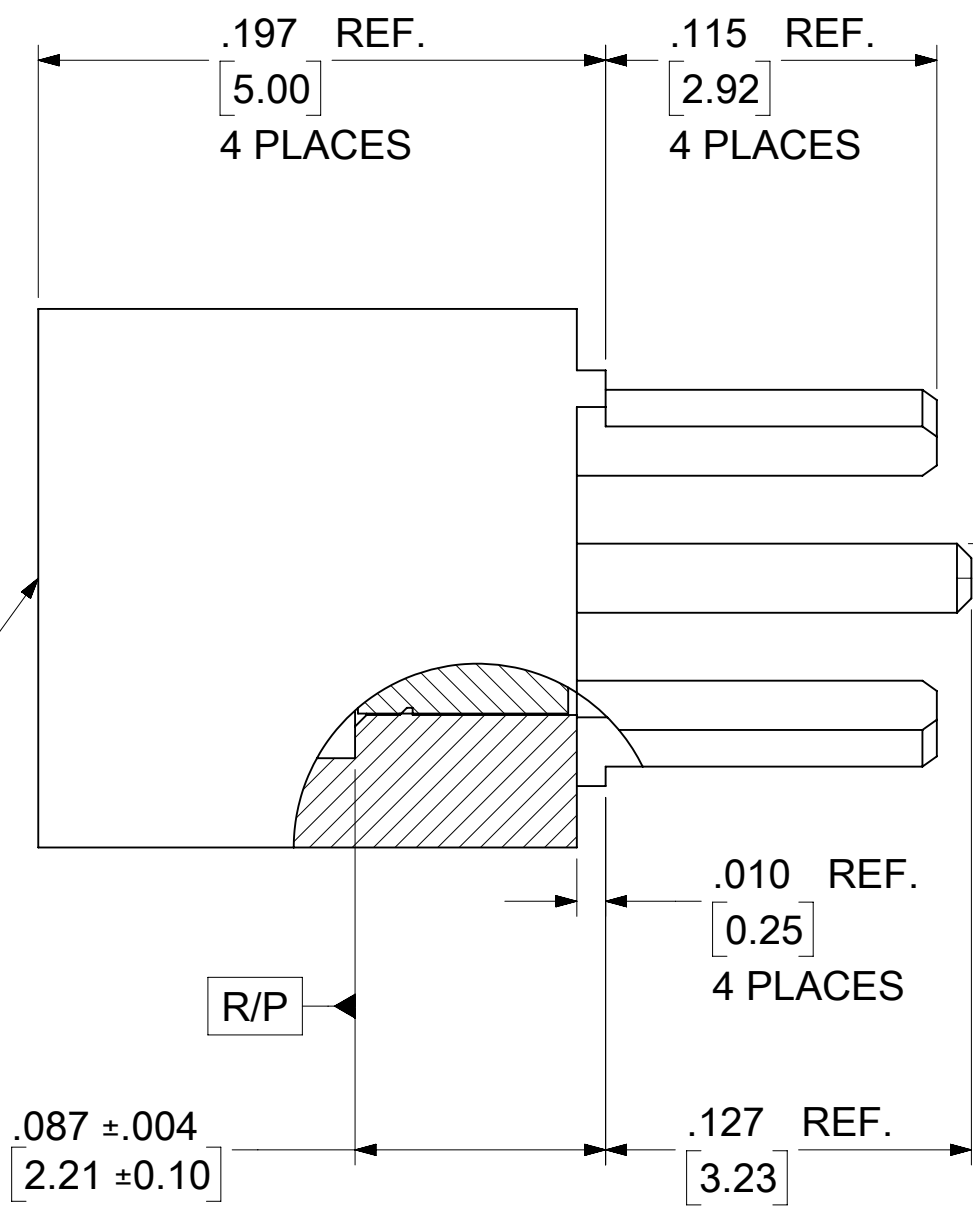
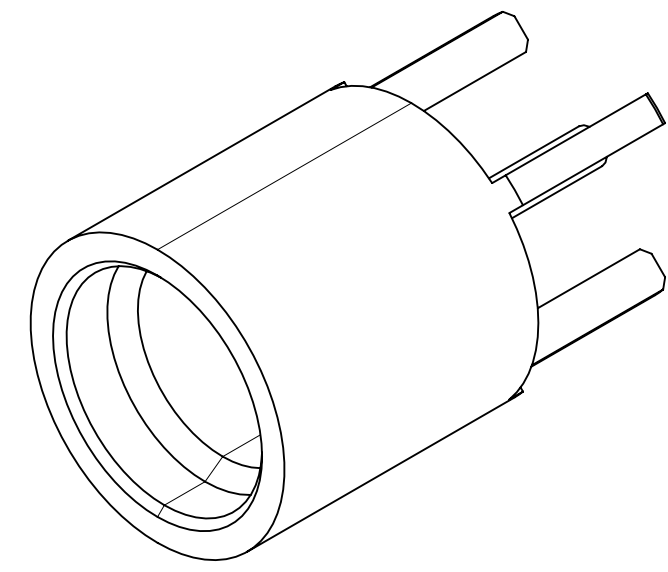
INSULATOR: PTFE

MATERIALS AND FINISHES:

FOR NON-MAGNETIC SMP

BODY, CONTACT: BERYLLIUM COPPER  
 PLATED: GOLD (8μ-in MIN)  
 OVER NICKEL PHOSPHOR (80μ-in MIN)

INSULATOR: PTFE



LABEL FORMAT FOR  
 73415-7012

PART NUMBER: 73415-7010  
 ORDER NUMBER: 73415-7012  
 MOLEX  
 DATE: YYWW

73415-7012	STANDARD	73415-7010 ONE PER BAG	895420470
73415-7011	NON-MAGNETIC	73415-7011 TRAY	895420040
73415-7010	STANDARD	73415-7010 TRAY	895420040
PART NO.	DESCRIPTION	PACKING SPEC	

PS-89675-3320	ELEC/MECH PERFORMANCE
MIL-STD-348B, FIG. 326.4	INTERFACE SMP P SB
SPECIFICATION	DESCRIPTION

FUNCTIONAL SYMBOLS	THIS DRAWING CONTAINS INFORMATION THAT IS PROPRIETARY TO MOLEX ELECTRONIC TECHNOLOGIES, LLC AND SHOULD NOT BE USED WITHOUT WRITTEN PERMISSION										
FA = 0	DIMENSION UNITS	SCALE	CURRENT REV DESC: ADD 73415-7012 PER EWR# 15321-C								
EC = 0	INCH/MM	NTS	GENERAL TOLERANCES (UNLESS SPECIFIED)								
EP = 0	ANGULAR TOL ± 2.0°		EC NO: 718723				2022/08/22		SMP P SMOOTH BORE VERT		
DIVISIONAL SYMBOLS			4 PLACES ±		DRWN: ELIN		2022/08/30		PCB THRU STD & NON-MAG SMP-P/PCB, EWR-3570		
			3 PLACES ±		CHK'D: YCHENG		2022/08/30		PRODUCT CUSTOMER DRAWING		
			2 PLACES ± 0.25		APPR: YCHENG				DOCUMENT NUMBER		
			1 PLACE ±		INITIAL REVISION:				SD-73415-701		
			0 PLACES ±		DRWN: AROBERTSON		2008/03/17		PSD 001 C3		
			DRAFT WHERE APPLICABLE MUST REMAIN WITHIN DIMENSIONS		APPR: JWIENER		2008/03/17		DOC TYPE DOC PART REVISION		
			THIRD ANGLE PROJECTION		DRAWING		SERIES		MATERIAL NUMBER CUSTOMER SHEET NUMBER		
			C-SIZE		73415		SEE TABLE GENERAL MARKET		1 OF 1		