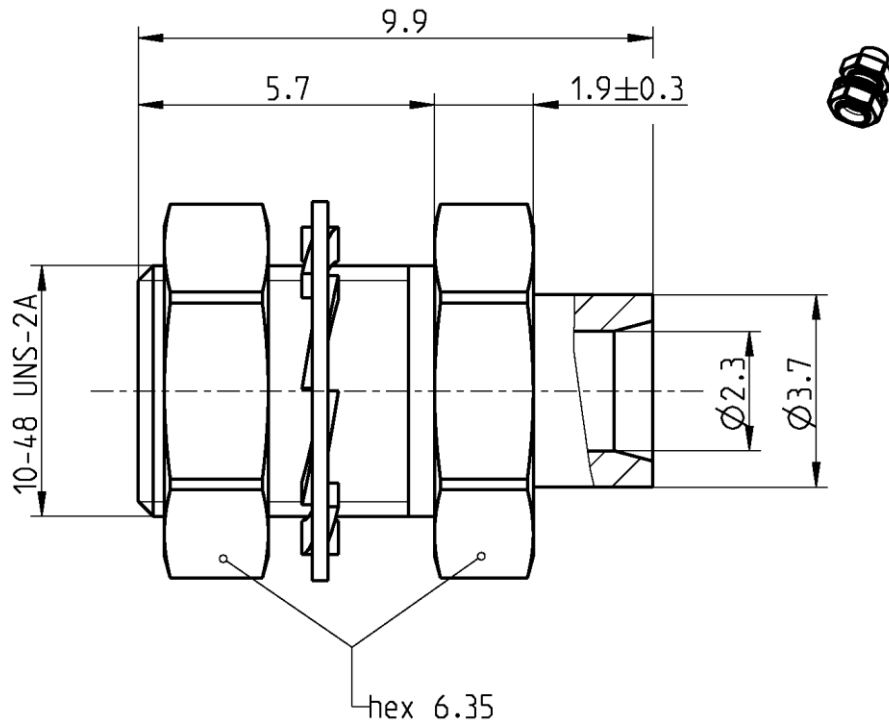


SMP

**BULKHEAD PLUG
SMOOTH BORE**

19S641-271L5



All dimensions are in mm; tolerances acc. ISO 2768 m-H

Interface

Compatible to MIL-STD-348

Documents

Assembly instruction 19 E4
Panel piercing B 54

Material and plating

Connector parts

Center contact
Outer contact
Dielectric

Material

Brass
Brass
PTFE

Plating

AuroDur®, gold plated
AuroDur®, gold plated

SMP

**BULKHEAD PLUG
SMOOTH BORE**

19S641-271L5

Electrical data

Impedance	50 Ω
Frequency	DC to 26.5 GHz
Return loss	≥ 30 dB, DC to 4 GHz ≥ 20 dB, 4 to 12 GHz ≥ 18 dB, 12 to 26.5 GHz
Insertion loss	≤ 0.05 x √f(GHz) dB, DC to 12 GHz
Insulation resistance	≥ 5 GΩ
Center contact resistance	≤ 6.0 mΩ
Outer contact resistance	≤ 2.0 mΩ
Test voltage	500 V rms
Working voltage	335 V rms
Contact Current	1.2A DC max.

- Limitations are possible due to the used cable type -

Mechanical data

Mating cycles	≥ 1000
Center contact captivation:	≥ 7 N
Engagement force	
- smooth bore	9 N max.
Disengagement force	
- smooth bore	2.2 N min.

Environmental data

Temperature range	-65°C to +155°C
Thermal shock	MIL-STD-202, Method 107, Condition B
Vibration	MIL-STD-202, Method 204, Condition B
Shock	MIL-STD-202, Method 213, Condition A
Moisture resistance	MIL-STD-202, Method 106
RoHS	compliant

Tooling

N/A

Suitable cables

RG 405 /U, UT 85-M17

Weight

Weight 1.6 g/pce

While the information has been carefully compiled to the best of our knowledge, nothing is intended as representation or warranty on our part and no statement herein shall be construed as recommendation to infringe existing patents. In the effort to improve our products, we reserve the right to make changes judged to be necessary.

Draft	Date	Approved	Date	Rev.	Engineering change number	Name	Date
Inge Mühlauer	20/06/08	J_Krautenbacher	08.09.16	g00	16-1508	S. Huber-Siegl	08.09.16
Rosenberger Hochfrequenztechnik GmbH & Co. KG P.O.Box 1260 D-84526 Tittmoning Germany www.rosenberger.de					Tel.: +49 8684 18-0 email: info@rosenberger.de		Page 2 / 2