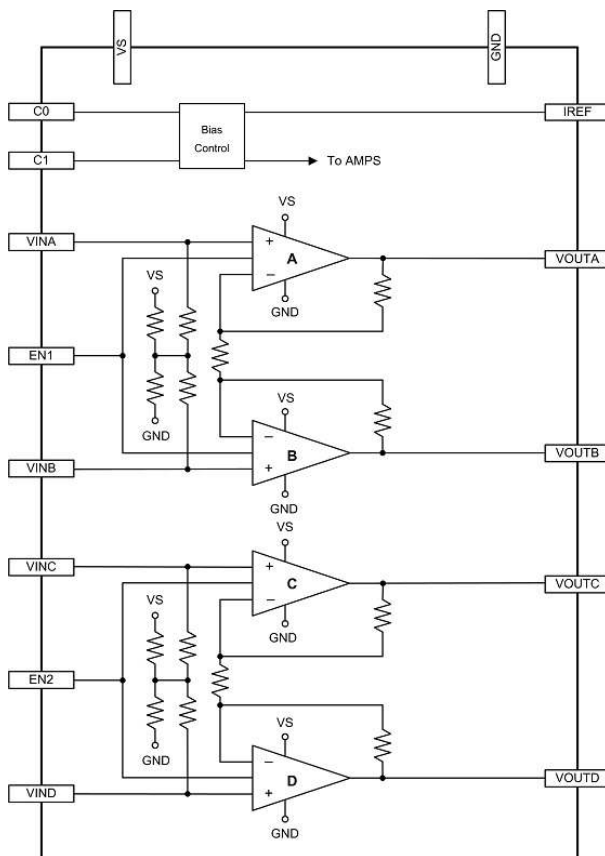


# Le87502

## PLC Dual Channel Line Driver BD870 Series

The Le87502 is a dual channel line driver designed to work in Home Plug Alliance HPAV2 systems. Each channel can be enabled independently allowing multiple-in, multiple-out (MIMO) or single-in, single-out (SISO) operations. When each channel is enabled, the operating level can be set to Full, 90% or 80% power. The Le87502 delivers superior performance and can drive a line impedance of 100  $\Omega$  down to 12  $\Omega$  through a proper transformer. In addition, the Le87502 features a Standby state which forces both channels into a long-term sleep mode.

### Simplified Block Diagram



### Features & Benefits

- Best in Class Density
- Dual Channel Architecture
- 28-pin, 4x5 mm QFN Package
- Low Power Operation
- Class AB Operation
- Independent Channel Enable/Disable Control
- Capable of Driving Line Impedance Between 12  $\Omega$  to 100  $\Omega$
- Operation to 86 MHz
- RoHS compliant