

Dual 1Gigabit Slimline Magnetic Modules

HX5020HL, HX6135HL, and HX6136HL



- Ⓟ Fully RoHS and Halogen Free
- Ⓟ Designed to exceed IEEE802.3au over Industrial temperature range -40 to +85°C
- Ⓟ Up to 35W PoE over 100m of UTP using 4pair connection
- Ⓟ Compatible with all Major PHYs
- Ⓟ 30% PCB saving compared to standard dual port devices

Electrical Specifications @ 25°C - Operating Temperature -40°C to 85°C

Part Number	Inductance	Turns Ratio	Isolation (Pri:Sec)	Power over Ethernet (PoE)	
				DC Current (@ 70°C)	Power Supported (4 pair UTP)
HX5020HL	350uH @ 8mA	1.00 +/- 2%	1500Vrms / 60sec	350mA	35W (PSE)
HX6135HL	350uH @ 8mA	1.00 +/- 2%	1500Vrms / 60sec	350mA	35W (PSE)
HX6136HL	350uH @ 8mA	1.00 +/- 2%	1500Vrms / 60sec	350mA	35W (PSE)

Part Number	Insertion Loss			Return Loss			CMRR		
	100kHz	1-100MHz	125MHz	1-40MHz	60-80MHz	100MHz	2MHz	30-100MHz	200MHz
HX5020HL	-1.2dB	-1.5dB	-2.0dB	-16dB	-10dB	-8dB	-50dB	-20dB	-15dB
HX6135HL	-1.2dB	-0.5dB	-1.0dB	-18dB	-13dB	-11dB	-50dB	-35dB	-30dB
HX6136HL	-1.2dB	-0.5dB	-1.0dB	-18dB	-13dB	-11dB	-50dB	-20dB	-15dB

Notes:

1. Storage Temperature: -50°C to 125°C
Compliance to J-STD:
A. J-STD-002: Solderability at 245°C Reflow Profile
B. J-STD-020: Moisture Sensitive Level 1
C. J-STD-075: R7, 245°C Maximum Through Reflow Solder
2. The HL suffix part is supplied in tubes with 15pcs/tube. To order tape and reel packaging add a 'T' suffix to the part number (ie: HX6135HL becomes HX6135HLT).
Where quantity per 13" reel will be 250pcs - see page 3 for more details.
3. Header: DAP (Diallyl Phthalate) with flammability Rating UL 94V-0 or better
4. Lead Frame: Cooper Alloy
Under plated: Half Hard Ductile Nickel 50-100" (1.3-2.5um)
Over plated : 100% Tin electro-deposited per ASTM B545 300 - 50u"(8-13um)
Finish : Matte finish 100% Tin solder

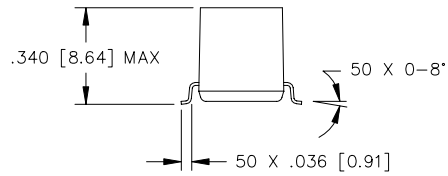
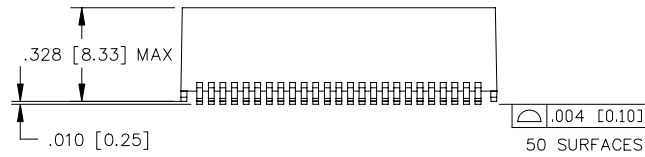
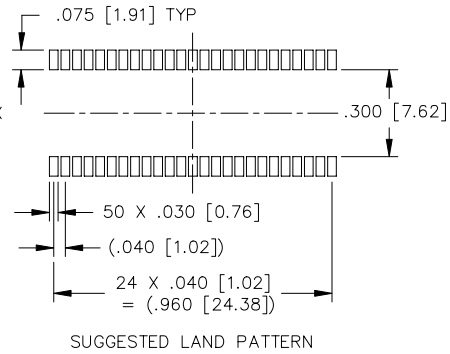
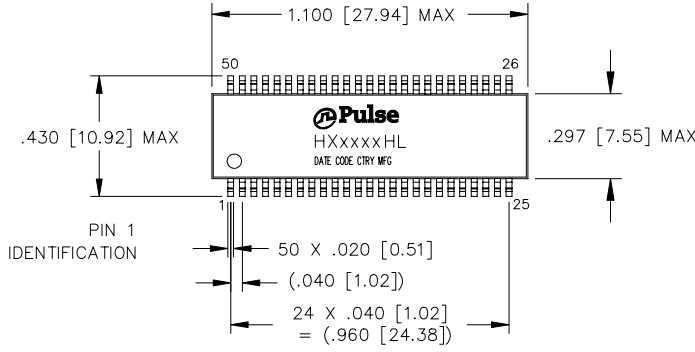
Dual 1Gigabit Slimline Magnetic Modules

HX5020HL, HX6135HL, and HX6136HL



Mechanical

HXxxxxHL

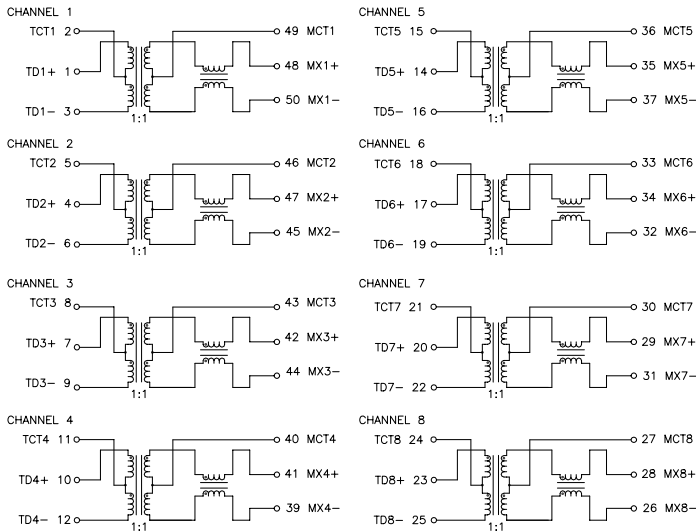


Dimensions: $\frac{\text{Inches}}{\text{mm}}$

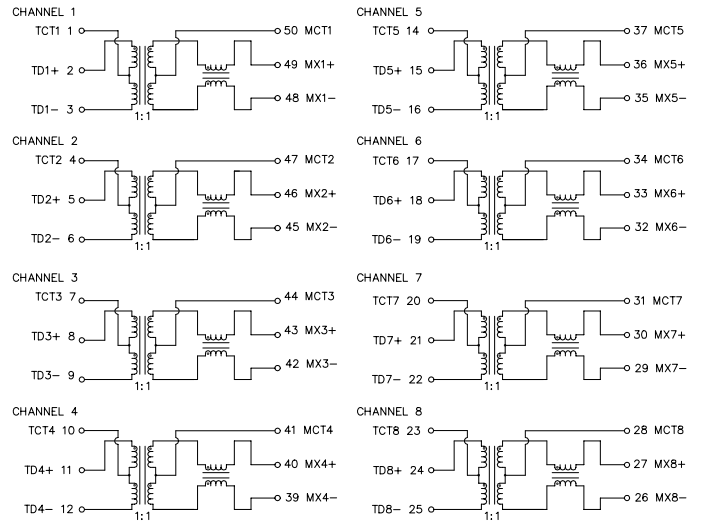
Unless otherwise specified, all tolerances are ± 0.10
 0.25

Schematics

HX5020HL



HX6136HL

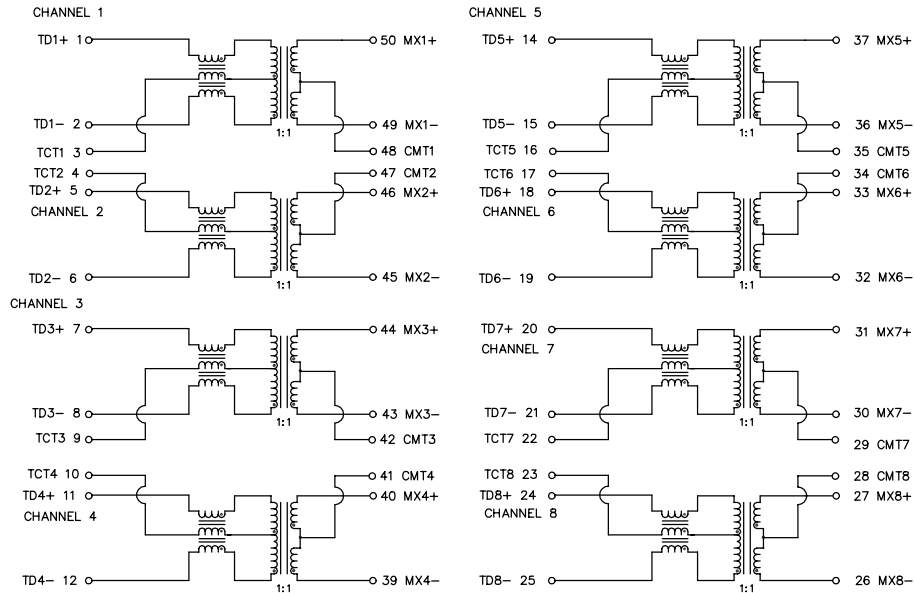


Dual 1Gigabit Slimline Magnetic Modules

HX5020HL, HX6135HL, and HX6136HL

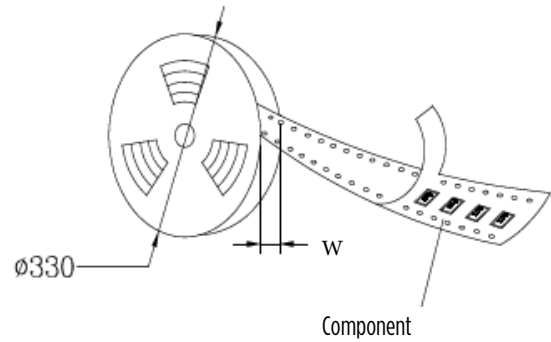
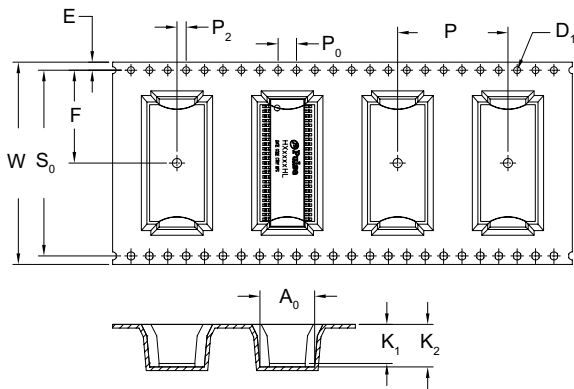
Schematic

HX6135HL



Tape & Reel

HX5020HL, HX6135HL and HX6136HL



W	44.00±0.30	P	24.00±0.10	A ₀	11.50±0.10	B ₀	27.85±0.10
S ₀	40.40±0.10	P ₀	4.00±0.10	A ₁	-----	B ₁	-----
E	1.75±0.10	P ₂	2.00±0.15	A ₂	-----	B ₂	-----
F	20.20±0.15	D ₀	-----	K ₀	9.25±0.10	K ₁	8.50±0.10
T	0.50±0.05	D ₁	1.50 ^{+0.10} _{-0.00}				UNIT: mm

ALL Dimensions meet EIA-481-D requirements.

- Material:** Black Conductive Polystyrene
- Components per Reel:** 250 pcs
- Quantity per box:** 5x reels = 1250 pcs

For More Information:

Americas - prodinfinetworkamericas@yageo.com | Europe - prodinfinetworkemea@yageo.com | Asia - prodinfinetworkapac@yageo.com

Performance warranty of products offered on this data sheet is limited to the parameters specified. Data is subject to change without notice. Other brand and product names mentioned herein may be trademarks or registered trademarks of their respective owners. © Copyright, 2022. Pulse Electronics, Inc. All rights reserved.