

KT Series Right Angle Sealed Tact Switch for SMT



Features/Benefits

- High shear force with extended bracket
- Easy to pick & place with top plate tab
- Rubber or hard plastic actuator
- Press fit or snap fit caps

Typical Applications

- Telecommunications
- Computer products
- Instrumentation
- Power supply

Specification

CONTACT ARRANGEMENT: SPST, N.O.
TERMINALS: Gullwing type for SMT

Electrical

CONTACT RATING: 1.0 VA max. @ 50 V AC or DC max.
ELECTRICAL & MECHANICAL LIFE: 100,000 make-and-break cycles at full load.
DIELECTRIC STRENGTH: 250 Vrms min. @ sea level.
CONTACT RESISTANCE: Below 50 mΩ typ. initial @ 2-4 V DC, 100 mA.
INSULATION RESISTANCE: 10⁹ Ω min.

NOTE: Specifications listed above are for switches with standard options.
For information on specific and custom switches, consult Customer Service Center.

Environmental

OPERATING TEMPERATURE: -40°C to 90°C

Process

SOLDERABILITY: Per MIL-STD-202F method 208D, or EIA RS-186E method 9 (1 hour steam aging).
DEGREE OF PROTECTION: IP57; protection against harmful dust deposits, full-scale voltage protection, temporary immersion.

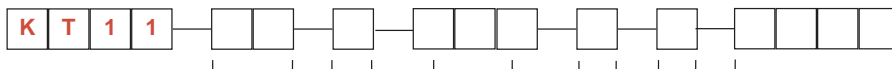
Packaging

Switches supplied in rigid dispensing tubes or anti-static tape and reels per EIA 481-2 (800 pieces per reel.). Tape and cover strip are conductive for use near statically sensitive components.

How To Order

Our easy build-a-switch concept allows you to mix and match options to create the switch you need. To order, select desired option from each category and place it in the appropriate box.

SWITCH



Actuator

- B0** Soft, flush
- B1** Soft, 0,64 mm
- B2** Soft, 2,24 mm
- P2** Hard, 2,36 mm
- P3** Hard, 1,50 mm
- P4** Hard, 3,96 mm
- S1** ø0,1 mm for caps
- S2** ø0,14 mm with anti-rotation

Orientation

- S** Side actuated

Mounting Bracket

- AM** Right angle
- A1M** Right angle with front solder pad
- A2M** Right angle with front solder pad pick & place tab
- A3M** Right angle with pick & place tab

Contact Plating

- 1** Silver
- 3** Gold

Actuating Force

- 3** 3 N (300 grams)

Color

- (NONE)** No cap
- 0380** Snap fit, high temperature, ivory, ø8 mm

BUTTON

To order buttons in bulk



Button Type

- 02** Press fit, ø4 mm
- 03** Snap fit, high temperature, ø8 mm

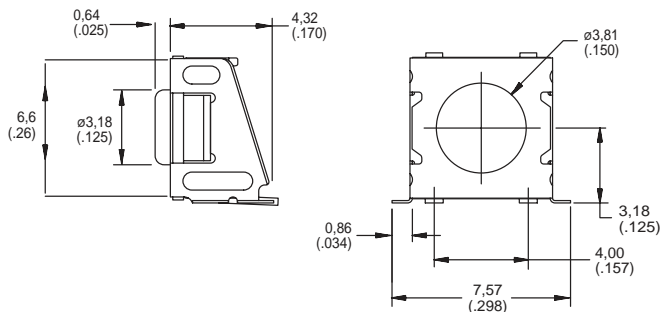
Button Color

- 90** Black
- 80** Ivory

KT Series Right Angle Sealed Tact Switch for SMT

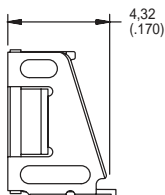
SERIES 

KT11

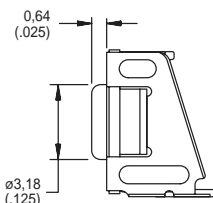


ACTUATOR 

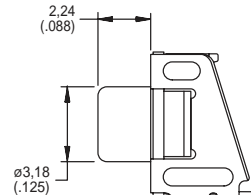
B0 SOFT, FLUSH



B1 SOFT, 0,64 mm

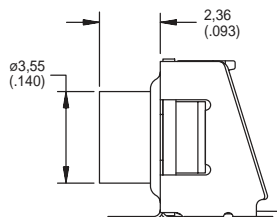


B2 SOFT, 2,24 mm

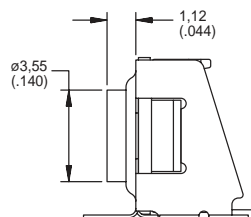


B0, B1 & B2 available with A & A1 mounting bracket only.

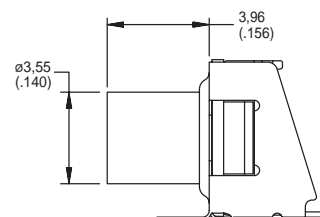
P2 HARD, 2,36 mm



P3 HARD, 1,50 mm

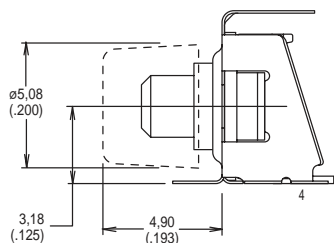


P4 HARD, 3,96 mm

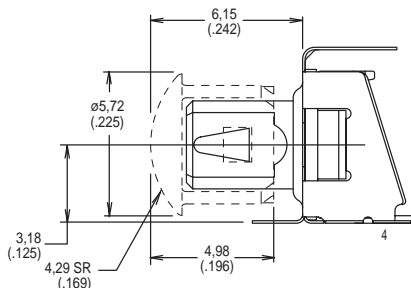


P4 recommended with A1 & A2 mounting bracket only.

S1 $\phi 0,1$ mm FOR PRESS FIT CAPS



S2 $\phi 0,14$ mm FOR SNAP FIT CAPS



S1 & S2 preferred with A1 & A2 mounting bracket only.



Dimensions are shown: mm (inch)
Dimensions subject to change

KT Series Right Angle Sealed Tact Switch

ORIENTATION



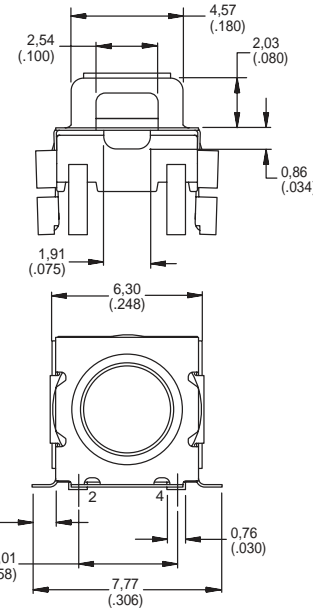
S SIDE ACTUATED

MOUNTING BRACKET



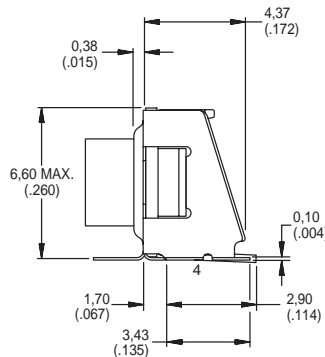
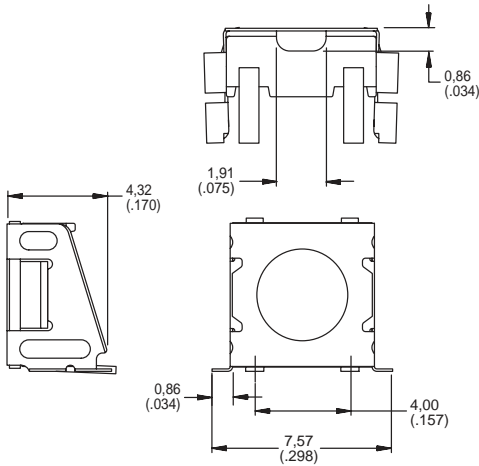
AM RIGHT ANGLE

A1M RIGHT ANGLE WITH FRONT SOLDER PAD



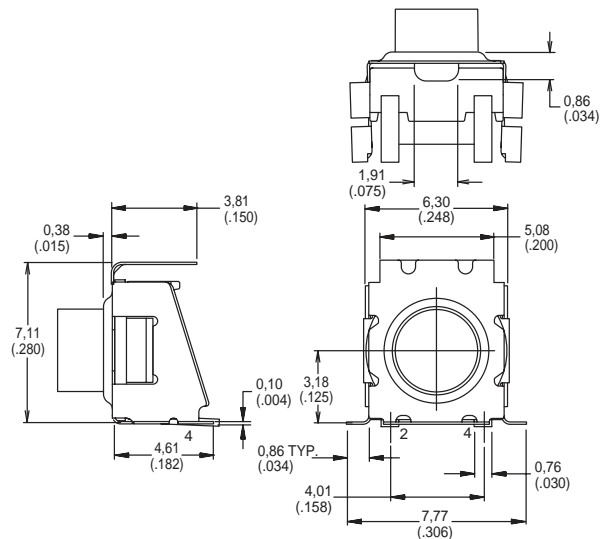
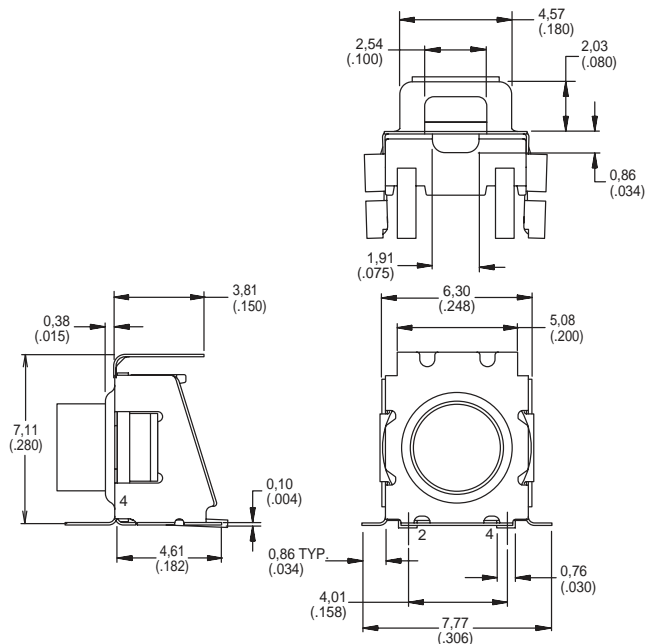
Tactile Switches

B



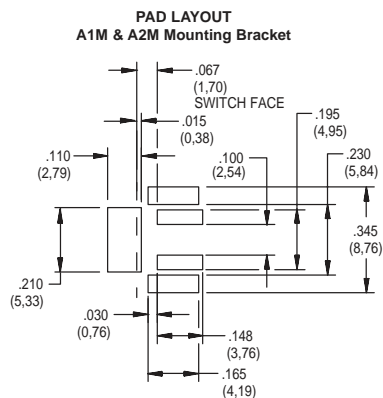
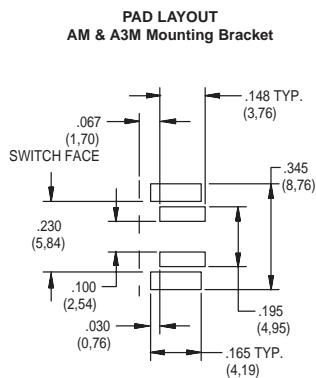
A2M RIGHT ANGLE WITH FRONT SOLDER PAD AND PICK & PLACE TAB

A3M RIGHT ANGLE WITH PICK & PLACE TAB



KT Series Right Angle Sealed Tact Switch

MOUNTING BRACKET



ACTUATING FORCE

OPTION CODE	FORCE
3	3 N (300 grams)

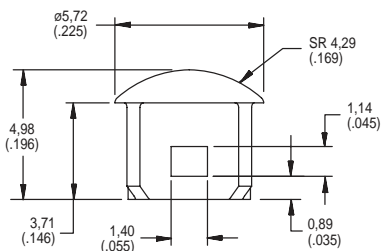
CONTACT PLATING

OPTION CODE	MATERIAL
1	SILVER
3	GOLD

BUTTON

(NONE) NO BUTTON

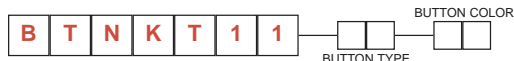
0380 SNAP FIT, HIGH TEMPERATURE, ivory, Ø8 mm



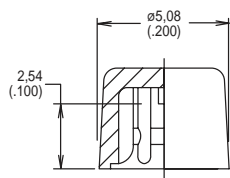
BUTTON

To order buttons in bulk

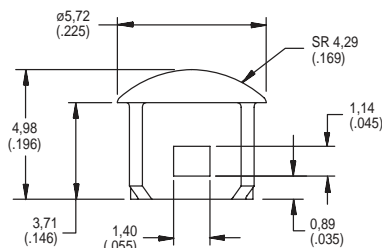
Button Type



02 PRESS FIT, ø4 mm



03 SNAP FIT, HIGH TEMPERATURE, Ø8 mm



Button Color

OPTION CODE	BUTTON COLOR
90	BLACK
80	IVORY

