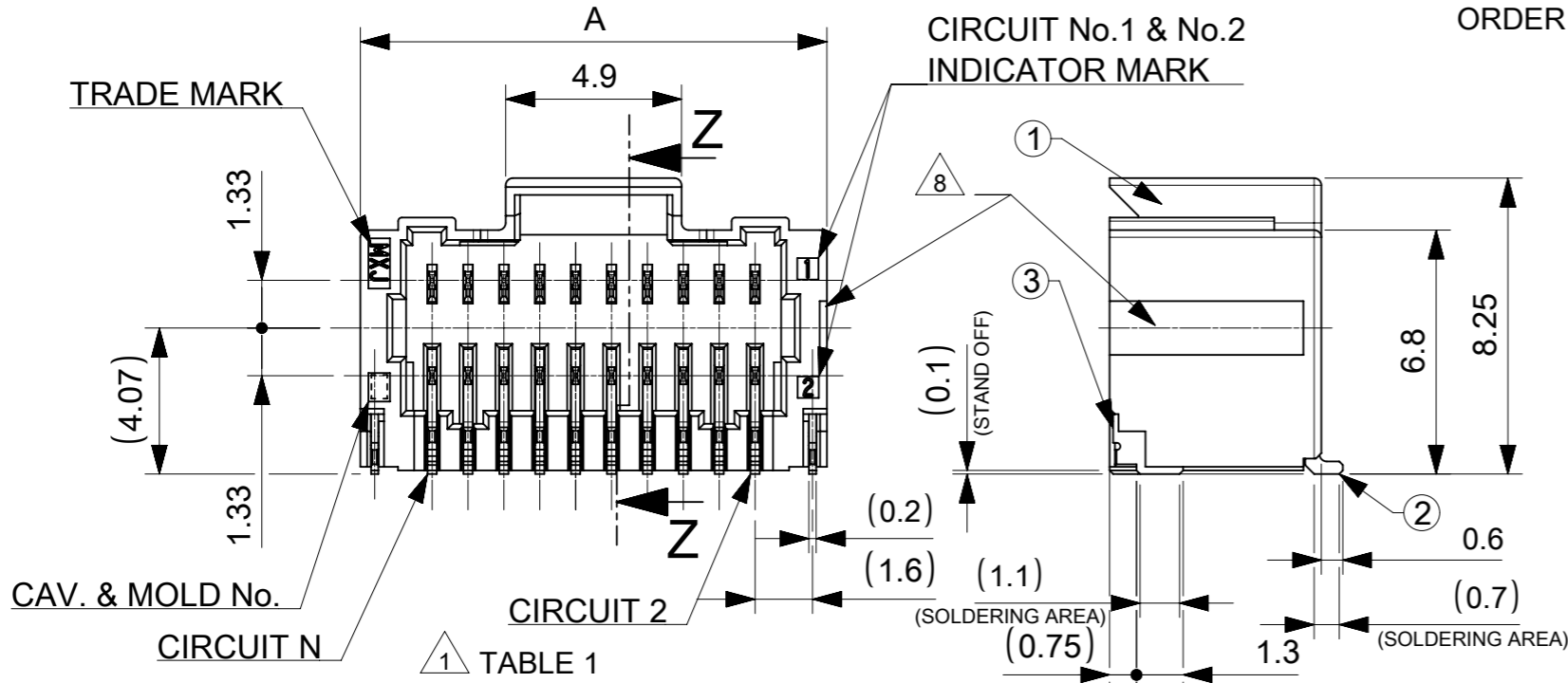
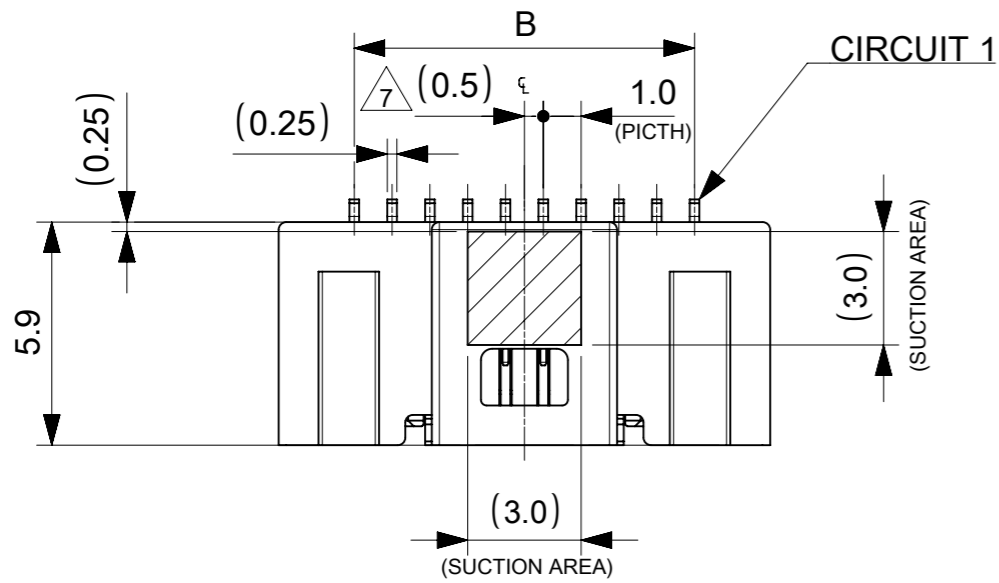
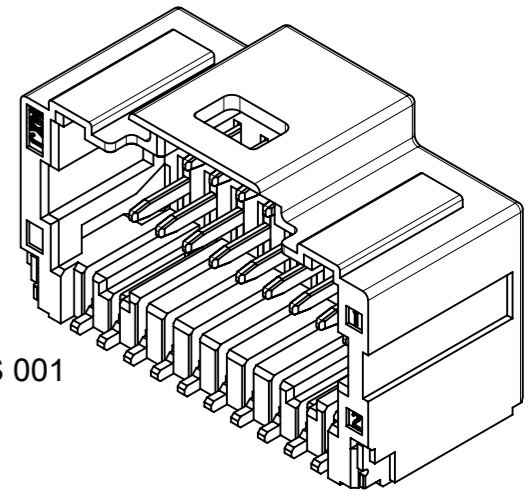


NOTES

- ① 材料及び仕上げ(めっき仕様) : TABLE 1 参照
MATERIAL AND FINISHES : SEE TABLE 1
- 2. 製品仕様書 : 5011890000-PS PS 002
PRODUCT SPECIFICATION:
- 3. 梱包形態 : SEE SHEET 3
PACKAGING INFORMATION:
- ④ 嵌合相手 : 501189 シリーズ
MATES WITH:501189 SERIES
- 5. アプリケーション仕様書(コネクタ取扱い説明書) : 5011890000-AS PS 001
APPLICATION SPECIFICATION(CONNECTOR MANUAL):
- 6. ソルダーピン及びネイルの平坦度:0.1 MAX
SOLDER PIN AND NAIL COPLANARITY: 0.1 MAX
- ⑦ 極数/2=偶数に適応
APPLICABLE FOR CIRCUIT SIZE/2=EVEN
- ⑧ 凹形状はキャビティにより、反対側面に存在します。
THE CONCAVE AREA TO BE SET ON THE REVERSE SIDE DEPENDING ON THE MOLDING CAVITY.
- ⑨ 製品番号構成 : 発注番号はTABLE 2 参照
PRODUCT NUMBER COMPOSITION
ORDER No. : SEE TABLE 2

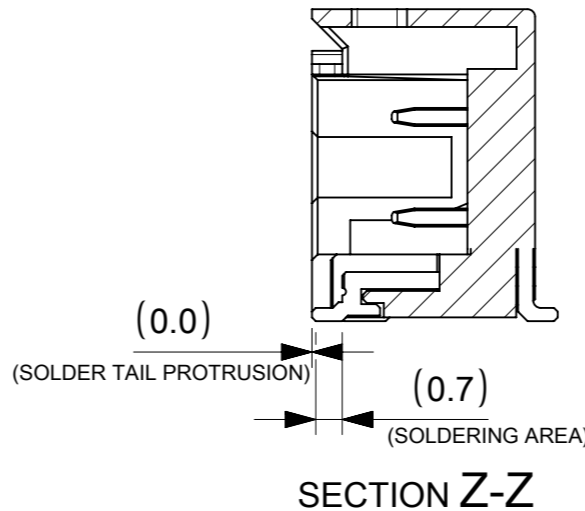


208393 ** ** *

極数 CIRCUIT SIZE	ハウジングカラー HOUSING COLOR	製品識別番号(めっき厚) IDENTIFICATION NUMBER (PLATING THICKNESS)
	0:NATURAL(BEIGE) 1:BLACK	7: 0.1 MICRO-METER MIN 5: 0.38 MICRO-METER MIN 3: 0.76 MICRO-METER MIN

⑨ TABLE 2

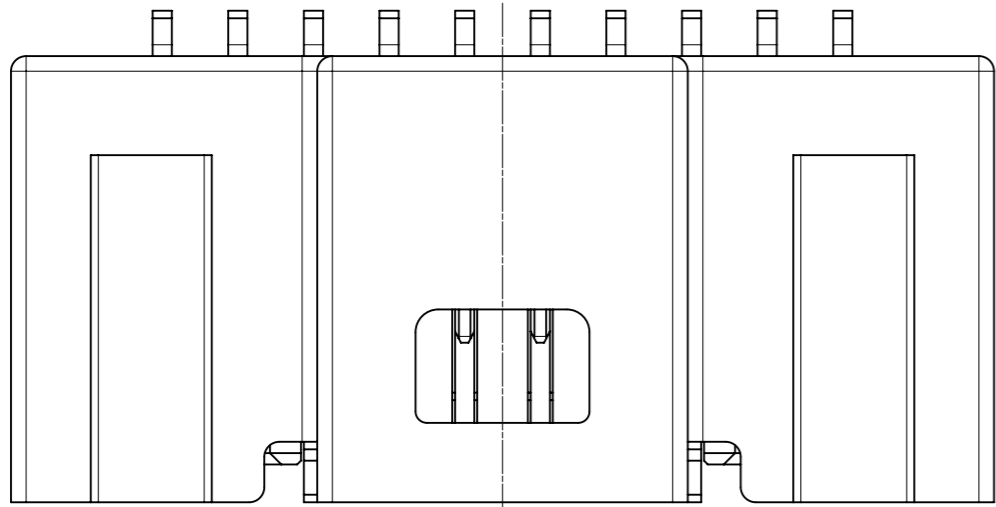
		HOUSING COLOR		
		BLACK	NATURAL(BEIGE)	
24.0	28.0	208393 501*	208393 500*	50
19.0	23.0	208393 401*	208393 400*	40
14.0	18.0	208393 301*	208393 300*	30
9.0	13.0	208393 201*	208393 200*	20
B	A	発注番号 ORDER No.		
極数別 寸法 DIMENSION		梱包形態 : エンボスリール PACKAGE:EMBOSSED REEL		極数 CIRCUIT SIZE



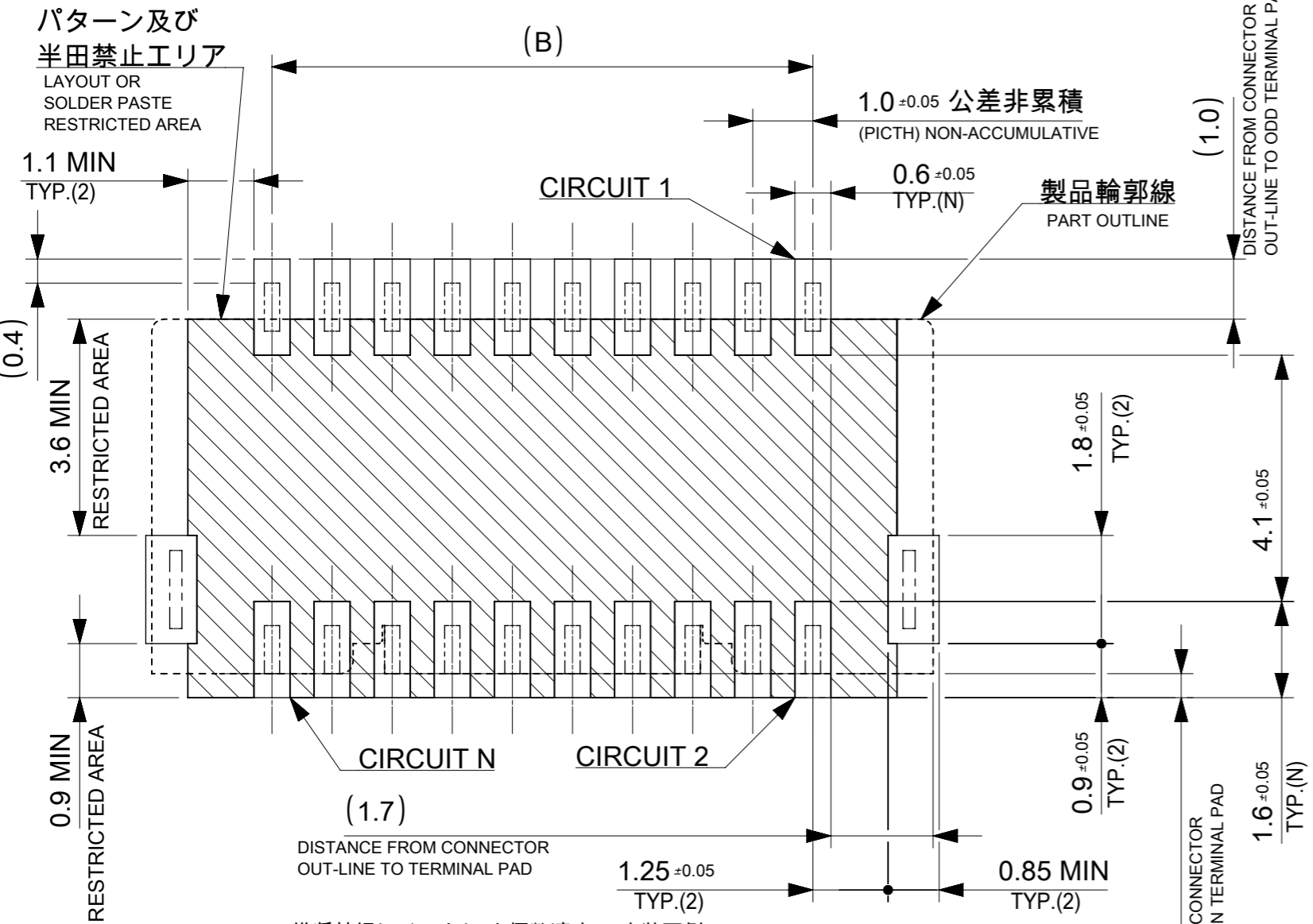
番号 NO.	部品 PART	材質 MATERIAL	
①	ウエハー WAFER	ポリアミド(PA), ガラス充填, UL94V-0, LOW HALOGEN, 色 : SEE TABLE 2 POLYAMIDE(PA), GLASS FILLED, UL94V-0, LOW HALOGEN, COLOR : SEE TABLE 2	
②	ソルダーピン SOLDER PIN	リン青銅 PHOSPHOR BRONZE	
		接点部 CONTACT AREA	金めっき : めっき厚はNOTES 9参照 GOLD PLATING : SEE NOTES 9 ABOUT THICKNESS
		テール部 TAIL AREA	金めっき GOLD PLATING
③	ネイル NAIL	下地めっき UNDER PLATING	ニッケルめっき : 1.0 MICRO-METER MIN NICKEL PLATING
		黄銅 BRASS	
③	ネイル NAIL	テール部 TAIL AREA	無光沢錫めっき : 1.0 MICRO-METER MIN MATTE TIN PLATING
		下地めっき UNDER PLATING	ニッケルめっき : 1.0 MICRO-METER MIN NICKEL PLATING

DOCUMENT STATUS	P1	RELEASE DATE	2020/06/19	11:24:35
-----------------	----	--------------	------------	----------

THIS DRAWING CONTAINS INFORMATION THAT IS PROPRIETARY TO MOLEX ELECTRONIC TECHNOLOGIES, LLC AND SHOULD NOT BE USED WITHOUT WRITTEN PERMISSION		CURRENT REV DESC:		molex	
DIMENSION UNITS	SCALE				
mm	NTS			PICO-CLASP 1.0 W/B DUAL ROW R/A SMT GOLD PLATING LOW HALOGEN	
GENERAL TOLERANCES (UNLESS SPECIFIED)				PRODUCT CUSTOMER DRAWING	
ANGULAR TOL	± 3.0°			DOCUMENT NUMBER	
4 PLACES	± 0.2	EC NO: 639499	2019/09/30	2083930000-SD	
3 PLACES	± 0.2	DRWN: AISHIKAWA	2020/06/19	DOC TYPE	DOC PART
2 PLACES	± 0.2	CHK'D: AIDA	2020/06/19	PSD	000
1 PLACE	± 0.2	APPR: SAKIYAMA	2020/06/19	REVISION	
0 PLACES	± 0.2	INITIAL REVISION:		A	
DRAFT WHERE APPLICABLE MUST REMAIN WITHIN DIMENSIONS		DRWN: AISHIKAWA	2019/09/30	SHEET NUMBER	
		APPR: SAKIYAMA	2020/06/19	1 OF 4	
THIRD ANGLE PROJECTION		DRAWING	SERIES	MATERIAL NUMBER	CUSTOMER
		A3-SIZE	208393		




製品レイアウト
PRODUCT LAYOUT

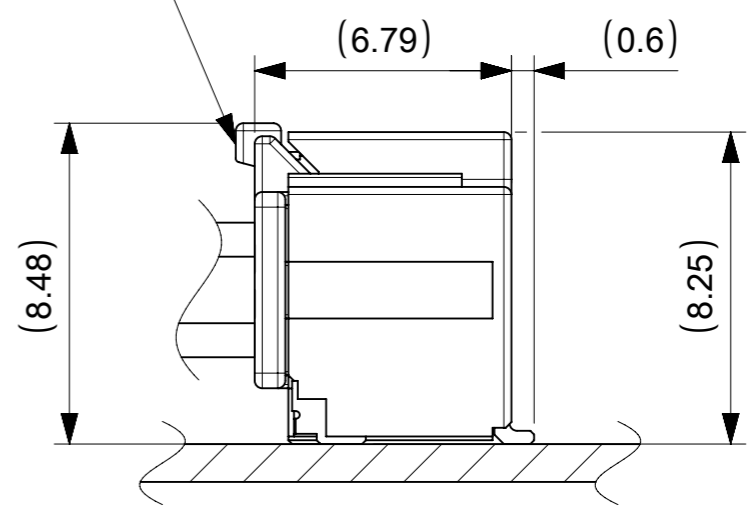
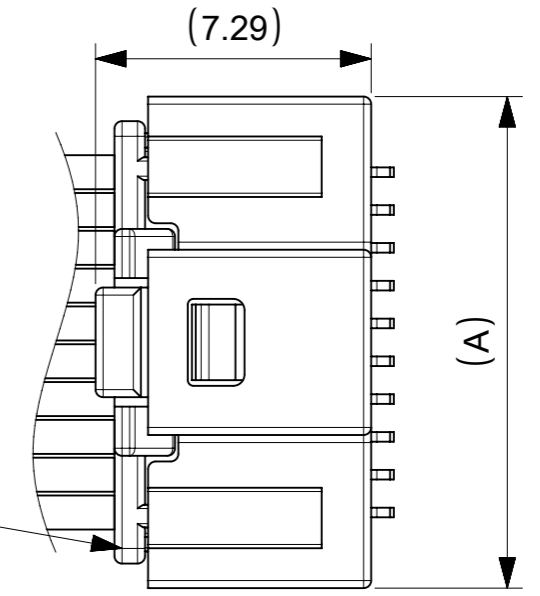


推奨基板レイアウト(全極数適応) : 実装面側
(参考 : 基板厚 1.0mm, メタルマスク厚さ 0.12mm, マスク開口率 100%)

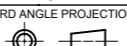
POLARIZED RECOMMENDED PCB LAYOUT (APPLY TO ALL CIRCUIT) : COMPONENT SIDE
(REFERENCE: PCB THICKNESS 1.0mm, STENCIL THICKNESS 0.12mm, APERTURE RATIO 100%)

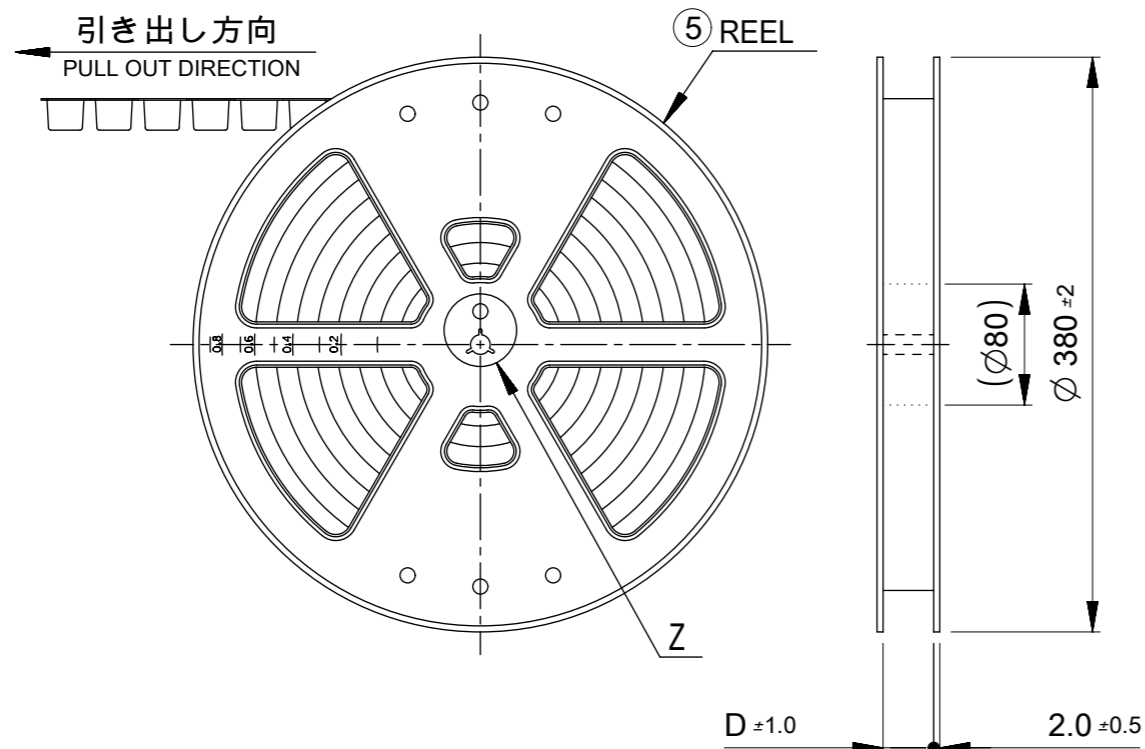
 :パターン禁止エリア
RESTRICTED AREA
NO PCB COMPONENTS ALLOWED

4 嵌合相手:501189シリーズ
MATE WITH : 501189 SERIES



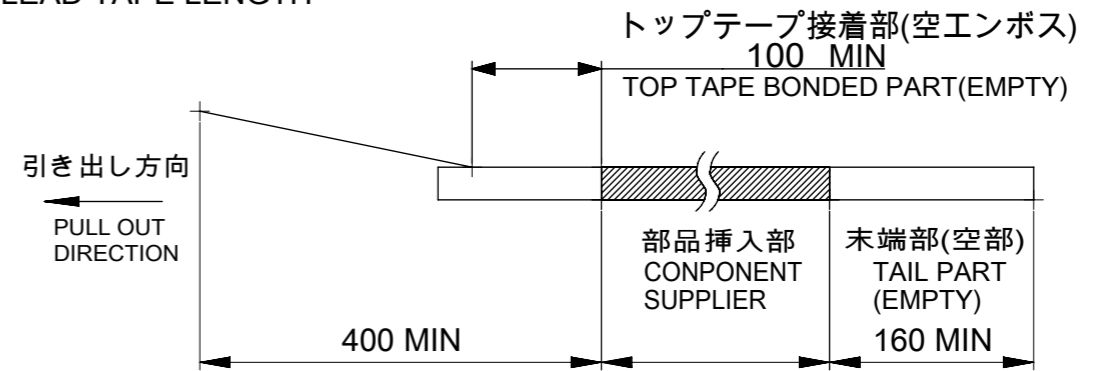
嵌合図
MATED CONNECTORS

THIS DRAWING CONTAINS INFORMATION THAT IS PROPRIETARY TO MOLEX ELECTRONIC TECHNOLOGIES, LLC AND SHOULD NOT BE USED WITHOUT WRITTEN PERMISSION		CURRENT REV DESC:		molex			
DIMENSION UNITS	SCALE	EC NO: 639499					
mm	NTS	DRWN: AISHIKAWA 2019/09/30		PICO-CLASP 1.0 W/B			
GENERAL TOLERANCES (UNLESS SPECIFIED)		CHK'D: AIDA 2020/06/19		DUAL ROW R/A SMT GOLD PLATING			
ANGULAR TOL	± 3.0 °	APPR: SAKIYAMA 2020/06/19		LOW HALOGEN			
4 PLACES	± 0.2	INITIAL REVISION:		PRODUCT CUSTOMER DRAWING			
3 PLACES	± 0.2	DRWN: AISHIKAWA 2019/09/30		DOCUMENT NUMBER			
2 PLACES	± 0.2	APPR: SAKIYAMA 2020/06/19		DOC TYPE			
1 PLACE	± 0.2	DRWN: AISHIKAWA 2019/09/30		DOC PART			
0 PLACES	± 0.2	APPR: SAKIYAMA 2020/06/19		REVISION			
DRAFT WHERE APPLICABLE MUST REMAIN WITHIN DIMENSIONS		THIRD ANGLE PROJECTION	DRAWING	SERIES	MATERIAL NUMBER	CUSTOMER	SHEET NUMBER
			A3-SIZE	208393	2083930000-SD	PSD 000	A

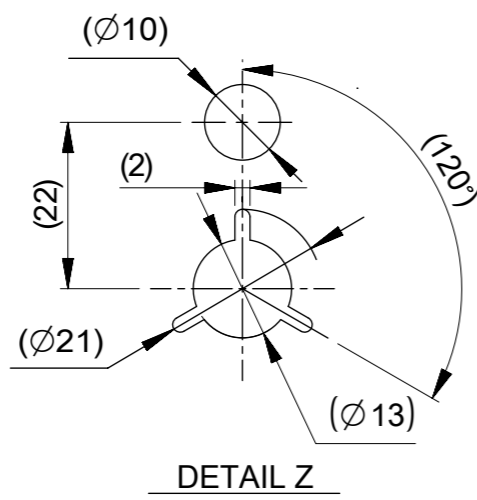


NOTES

- 10. 梱包数量:800個/リール
NUMBER OF CONNECTORS : 800 PIECES/REEL
- 11. リードテープ長さ
LEAD TAPE LENGTH



- 12. トップテープの剥離強度はIEC60286-3に準拠。
TOP TAPE PEELING FORCE IS DEFINED BY IEC60286-3.
- 13. 梱包仕様書 : 2083939200-SPK PS 200
PACKAGE SPECIFICATION:



45.5	50
	40
33.5	30
25.5	20
D	極数 CIRCUIT SIZE

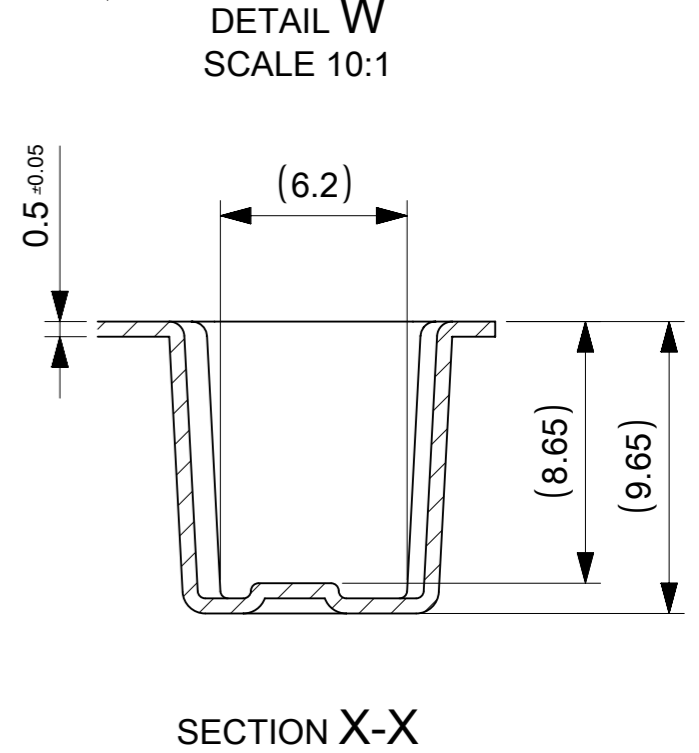
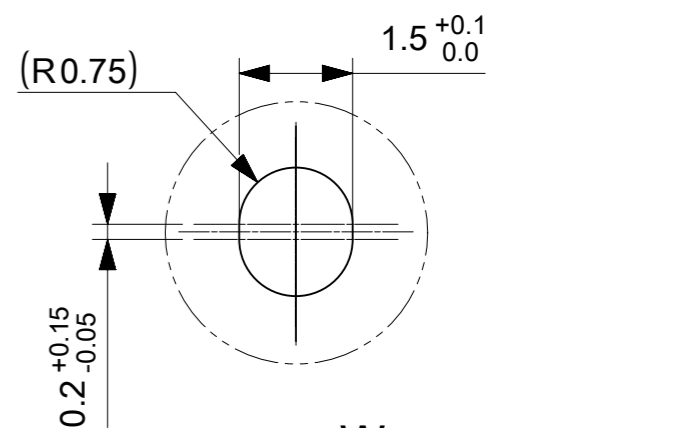
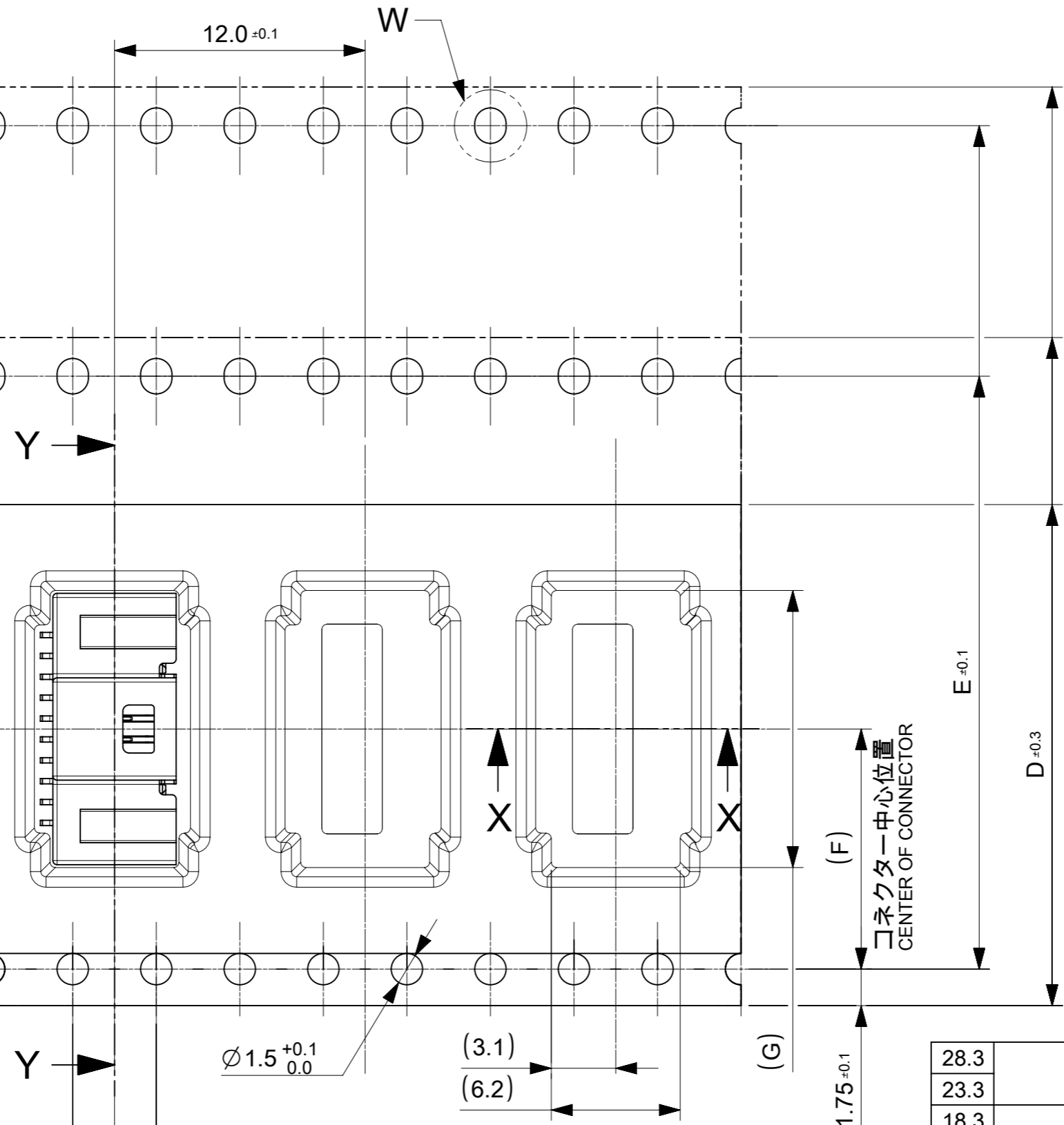
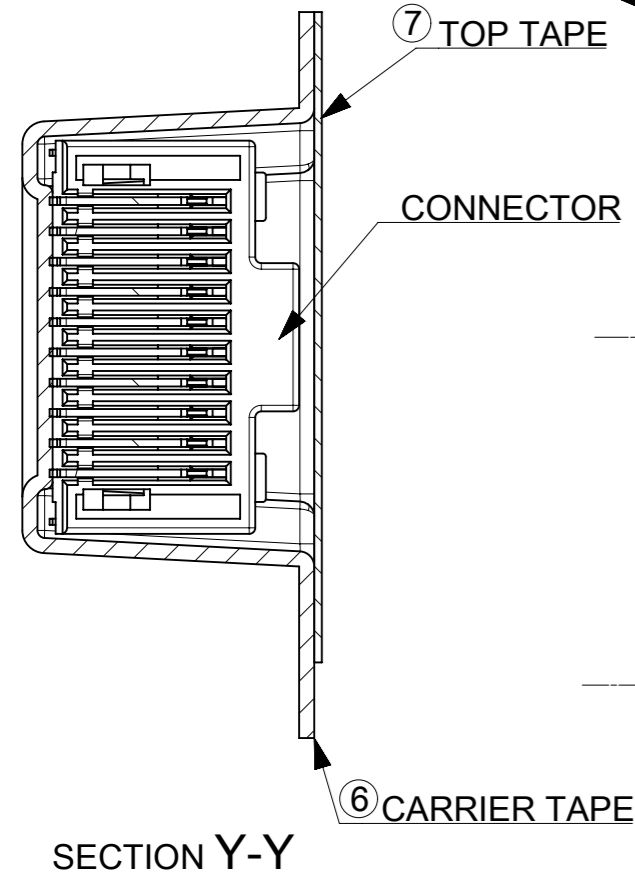
THIS DRAWING CONTAINS INFORMATION THAT IS PROPRIETARY TO MOLEX ELECTRONIC TECHNOLOGIES, LLC AND SHOULD NOT BE USED WITHOUT WRITTEN PERMISSION		CURRENT REV DESC:		molex	
DIMENSION UNITS	SCALE				
mm	NTS			PICO-CLASP 1.0 W/B DUAL ROW R/A SMT GOLD PLATING LOW HALOGEN	
GENERAL TOLERANCES (UNLESS SPECIFIED)				PRODUCT CUSTOMER DRAWING	
ANGULAR TOL	± 3.0 °			DOCUMENT NUMBER	
4 PLACES	± 0.2	EC NO: 639499		2083930000-SD	
3 PLACES	± 0.2	DRWN: AISHIKAWA		DOC TYPE	
2 PLACES	± 0.2	CHK'D: AIDA		PSD	
1 PLACE	± 0.2	APPR: SAKIYAMA		DOC PART	
0 PLACES	± 0.2	INITIAL REVISION:		000	
		DRWN: AISHIKAWA		A	
		APPR: SAKIYAMA			
DRAFT WHERE APPLICABLE MUST REMAIN WITHIN DIMENSIONS		THIRD ANGLE PROJECTION	DRAWING	SERIES	MATERIAL NUMBER
			A3-SIZE	208393	CUSTOMER
				SHEET NUMBER	
				3 OF 4	

番号 NO.	部品 PART	材質 MATERIAL
⑤	リール REEL	ポリスチレン(PS) <リサイクル材を含む> POLYSTYRENE(PS) <RECYCLE MATERIAL CONTAINED>
DOCUMENT STATUS	P1	RELEASE DATE 2020/06/19 11:24:35

44mm幅テープ
TAPE WIDTH:44mm

32mm幅テープ
TAPE WIDTH:32mm

24mm幅テープ
TAPE WIDTH:24mm



累積ピッチ: 40 ± 0.2
ACUUMLATIVE PITCH:

(2.0) エンボスポケット中心位置
CENTER OF EMBOSSED POCKET

コネクタ中心位置
CENTER OF CONNECTOR

引き出し方向
PULL OUT DIRECTION

28.3	20.2	40.4	44.0	50
23.3				40
18.3	14.2	28.4	32.0	30
13.3	11.5	-	24.0	20
G	コネクタ中心位置 F CENTER OF CONNECTOR		E	エンボステープ幅 D WIDTH OF TAPE
				極数 CIRCUIT SIZE

THIS DRAWING CONTAINS INFORMATION THAT IS PROPRIETARY TO MOLEX ELECTRONIC TECHNOLOGIES, LLC AND SHOULD NOT BE USED WITHOUT WRITTEN PERMISSION

DIMENSION UNITS	SCALE	CURRENT REV DESC:		
mm	NTS			
GENERAL TOLERANCES (UNLESS SPECIFIED)				
ANGULAR TOL	± 3.0 °			
4 PLACES	± 0.2	EC NO: 639499		
3 PLACES	± 0.2	DRWN: AISHIKAWA 2019/09/30		
2 PLACES	± 0.2	CHK'D: AIDA 2020/06/19		
1 PLACE	± 0.2	APPR: SAKIYAMA 2020/06/19		
0 PLACES	± 0.2	INITIAL REVISION:		
DRAFT WHERE APPLICABLE MUST REMAIN WITHIN DIMENSIONS		DRWN: AISHIKAWA 2019/09/30		2020/06/19
THIRD ANGLE PROJECTION		APPR: SAKIYAMA 2020/06/19		
DRAWING		SERIES		DOCUMENT NUMBER
A3-SIZE		208393		2083930000-SD
MATERIAL NUMBER		CUSTOMER		DOC TYPE
				PSD
SHEET NUMBER		REVISION		
4 OF 4		A		

molex

PICO-CLASP 1.0 W/B
DUAL ROW R/A SMT GOLD PLATING
LOW HALOGEN

PRODUCT CUSTOMER DRAWING

番号 NO.	部品 PART	材質 MATERIAL
⑥	キャリアテープ CARRIER TAPE	ポリプロピレン(PP)、その他 POLYPROPYLEN(PP), etc
⑦	トップテープ TOP TAPE	ポリエチレン(PE)、その他 POLYETHYLENE(PE), etc

DOCUMENT STATUS	P1	RELEASE DATE	2020/06/19	11:24:35
-----------------	----	--------------	------------	----------