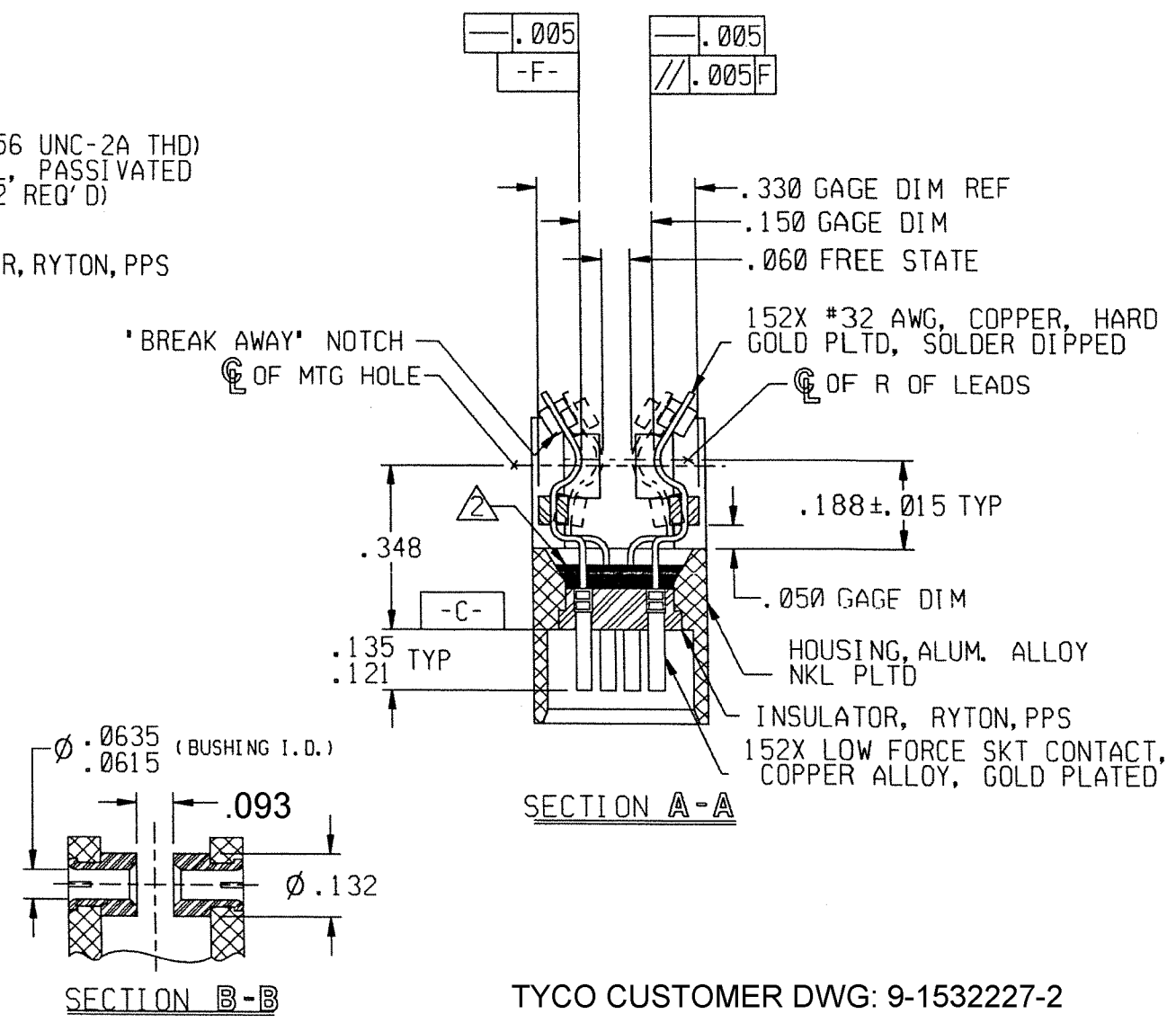
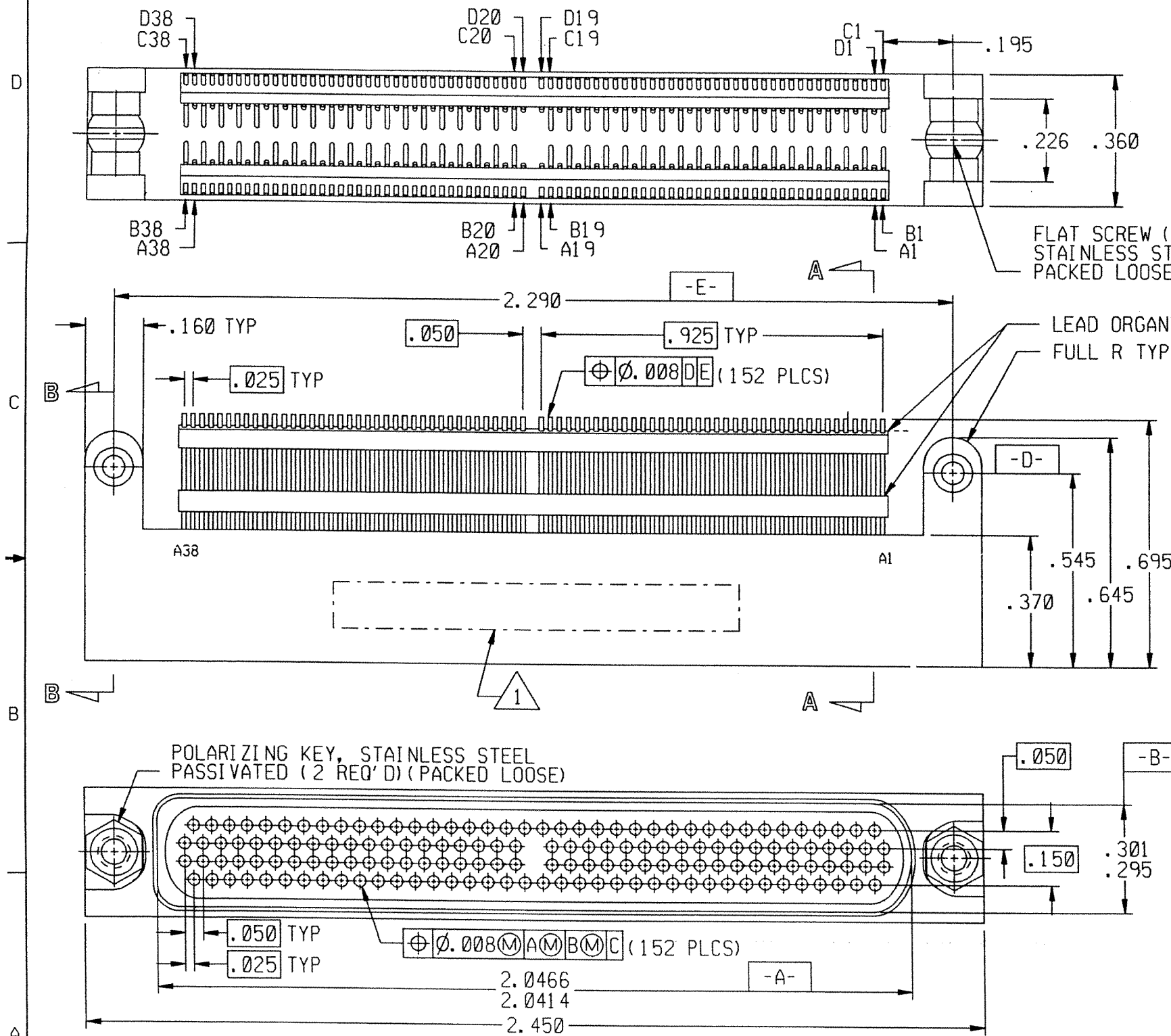


REVISION					
ZONE	LTR	ECN	DESCRIPTION	DATE	APPROVED
	A	43093	NEW RELEASE	2/6/6	TL



NOTES: UNLESS OTHERWISE SPECIFIED
 MARK PER TPD.
 POTTING COMPOUND USED IS E&C STYCAST WITH CAT 9 AND /OR E&C STYCAST WITH CAT 11.
 3. CRIMP LEADS INTO CONTACTS PER MEP302-05.

UNLESS OTHERWISE SPECIFIED DIMENSIONS ARE IN INCHES. TOLERANCE ARE:			APPROVALS		MICRODOT CONNECTORS A DIVISION OF UNI-STAR INDUSTRIES INC. 306 PASADENA AVE., SO. PASADENA, CA 91030
FRACTIONS	DECIMALS	ANGLES	SIGNATURE	DATE	
± 1/8	.XX ± .01 .XXX ± .005	± 2°	TONY LEE	2/6/6	
MATERIAL:			P.E.		
			M.E.		
			D.A.		
FINISH:	THIS DOCUMENT IS THE PROPERTY OF MICRODOT CONNECTORS, A DIVISION OF UNI-STAR INDUSTRIES INC. USE OF THIS DOCUMENT OR ANY PART THEREOF IS STRICTLY FORBIDDEN WITHOUT THE EXPRESS WRITTEN PERMISSION OF MICRODOT CONNECTORS, A DIVISION OF UNI-STAR INDUSTRIES INC.				PROD CODE 832 CODE CDM
		SIZE	CODE IDENT NO.	DRAWING NO.	9-1532227-2 095-0092-1009
		B	98278		
		SCALE: NONE			SHEET 1 OF 1