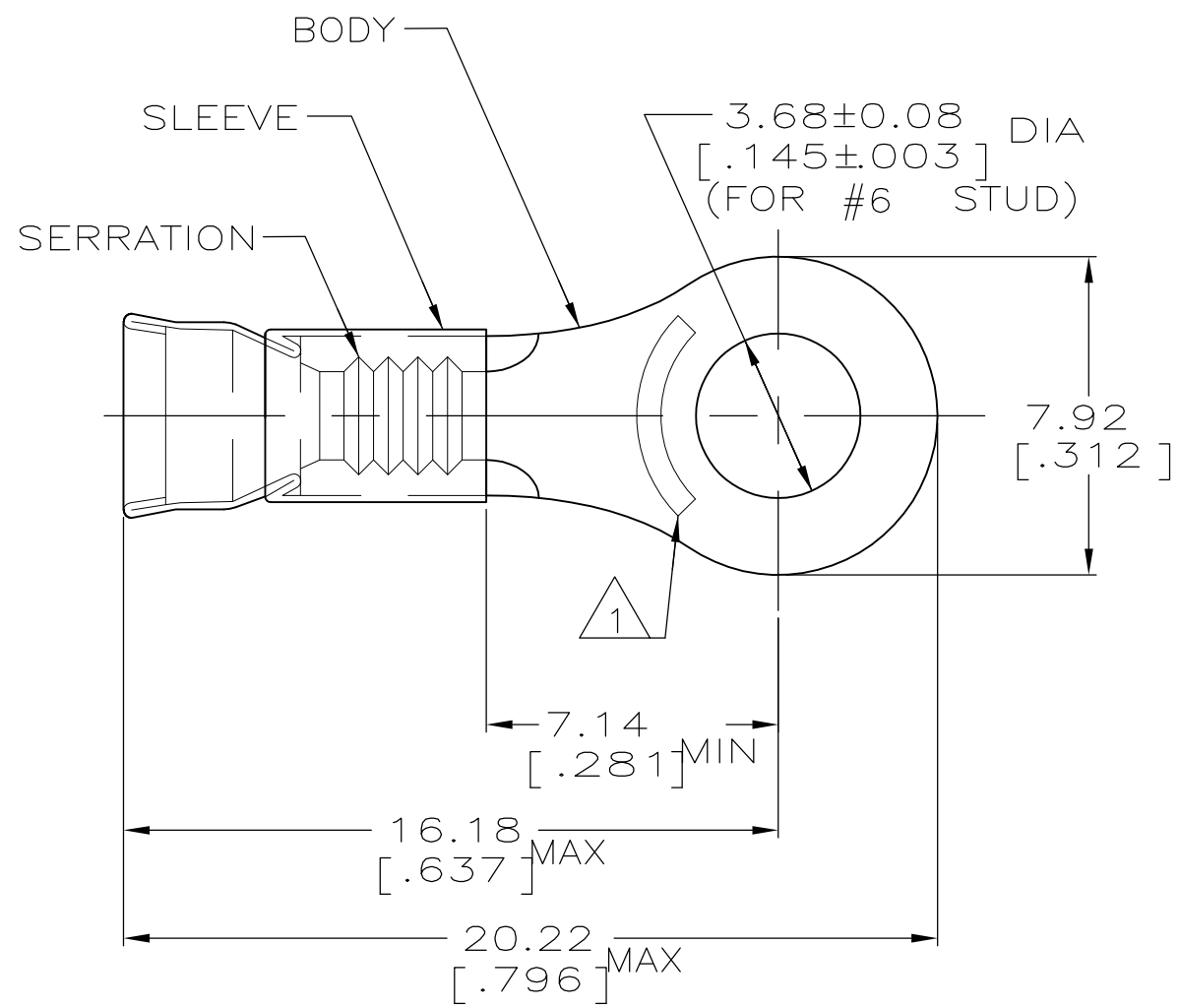


THIS DRAWING IS UNPUBLISHED. RELEASED FOR PUBLICATION
 © COPYRIGHT BY TYCO ELECTRONICS CORPORATION. ALL RIGHTS RESERVED.

LOC	DIST	REVISIONS					
G	14	P	LTR	DESCRIPTION	DATE	DWN	APVD
		N		REL PER ECR 09-005119	06MAR09	JR	RL



- 1 SEE TABLE FOR STAMPING
22-16 TERMINALS ARE STAMPED 22-18 IN ACCORDANCE WITH MILITARY SPEC MIL-T-7928
COMMERCIAL WIRE RANGE IS 22-16
- 2 WIRE INSUL DIA, 2.67-3.56 [.105-.140]
- 3 TONGUE MATL THK, 0.79±0.05 [.031±.002]
- 4 PRELIMINARY - NOT FOR PRODUCTION

AMP 22-18AL	ALUMEL	GREEN	1000	LOOSE PIECE	2-322873-5
AMP 22-18	NICKEL PER ASTM B162	ORANGE	5000	ON TAPE, REEL	2-322873-4
AMP 22-18CH	CHROMEL	GRAY	1000	LOOSE PIECE	2-322873-1
AMP 22-18	NICKEL PER ASTM B162	ORANGE	1000	LOOSE PIECE	322873
STAMPING	BODY MATERIAL	SLV COLOR	QTY	PACKAGE TYPE	PART NO

AMP INCORPORATED CUSTOMER SERVICE SYSTEM		MAX RECOMMENDED OPERATING TEMPERATURE: 649° C [1200° F]	THIS DRAWING IS A CONTROLLED DOCUMENT.		DWN L OLMEDA 100CT94	Tyco Electronics Corporation Harrisburg, PA 17105-3608		
FOR ADDITIONAL PRODUCT INFORMATION OR COPIES OF DRAWINGS AND TECHNICAL DOCUMENTS	PRODUCT INFORMATION CENTER 1-800-522-6752		DIMENSIONS: mm [INCHES]	TOLERANCES UNLESS OTHERWISE SPECIFIED:	CHK M ELLIS 100CT94			
FOR APPLICATION TOOLING INFORMATION	TOOLING ASSISTANCE CENTER 1-800-722-1111	VOLTAGE RATING: -		APVD S BORTNER 100CT94	NAME TERMINAL, RING TONGUE, STRATOTHERM, DIAMOND GRIP, WIRE SIZE, 22-16 AWG		RESTRICTED TO	
FOR ORDER ENTRY	1-800-526-5142	CIRCULAR MIL AREA: 0.26mm ² -1.65mm ² [509-3260]	MATERIAL BODY, SEE TABLE SLEEVE, NI SIL PER ASTM B122	FINISH SLV COLOR, SEE TABLE	PRODUCT SPEC -	SIZE A3	CAGE CODE 00779	DRAWING NO G-322873
CUSTOMER DRAWING					WEIGHT -	SCALE 6:1	SHEET 1 OF 1	REV N