

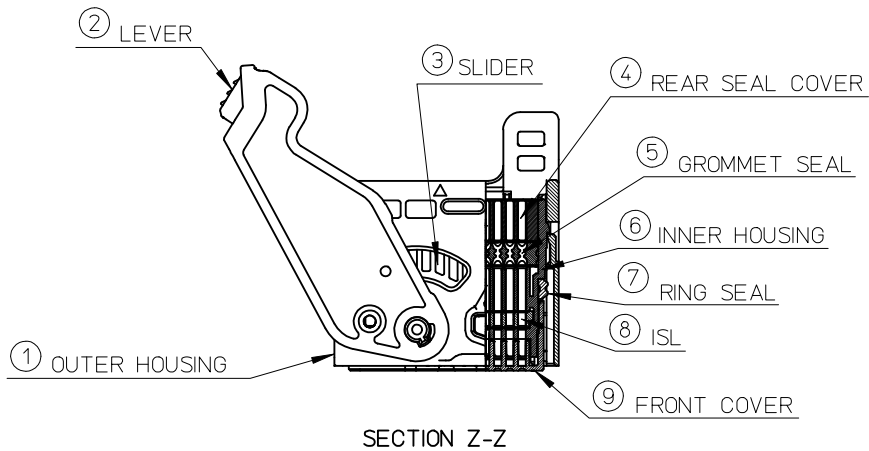
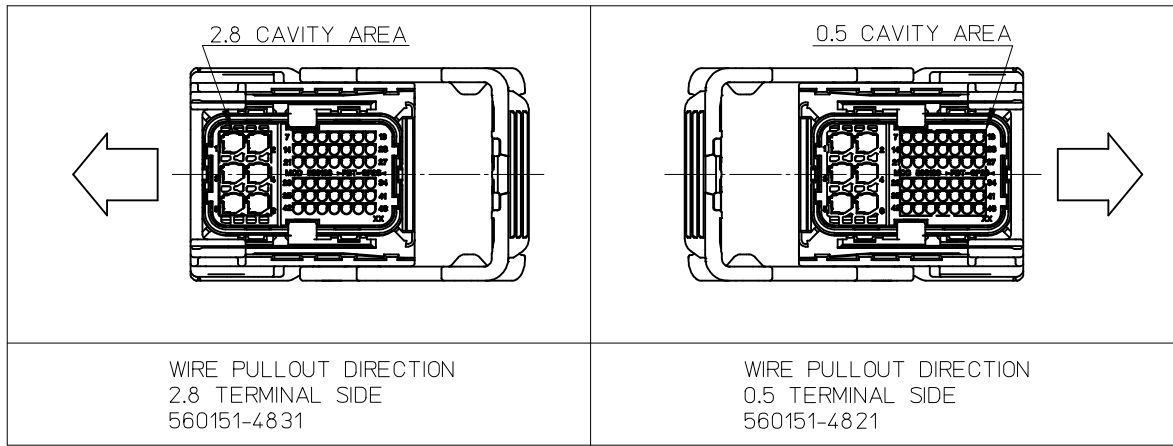
注記

NOTES

- 一般公差
GENERAL TOLERANCES
 <10: ±0.3
 10 ≤ <30: ±0.4
 30 ≤ : ±0.5
 ANGULAR : ±5°
- 適用端子
APPLICABLE TERMINAL
 0.5: 560121 SERIES
 2.8: 560122 SERIES
- 適用電線サイズ
APPLICABLE WIRE SIZE
 0.5: REFER AS-560121-001
 2.8: REFER AS-560122-001
- 適用被覆サイズ
APPLICABLE INSULATION DIAMETER
 0.5: φ1.4~1.7mm
 2.8: φ2.6~3.0mm
- 適用ダミープラグ
APPLICABLE DUMMY PLUG
 0.5: 560144-0100
 2.8: 560145-0101
- 適用ドレスカバー
APPLICABLE WIRE DRESS COVER
 SHORT: 560189-0101
 LONG: 560189-0111
- ELV AND RoHS COMPLIANT

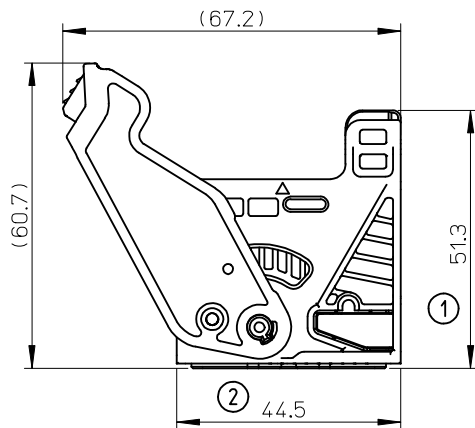
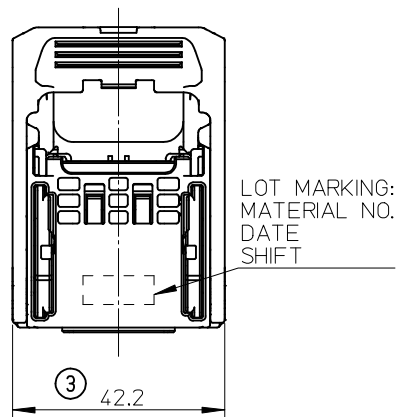
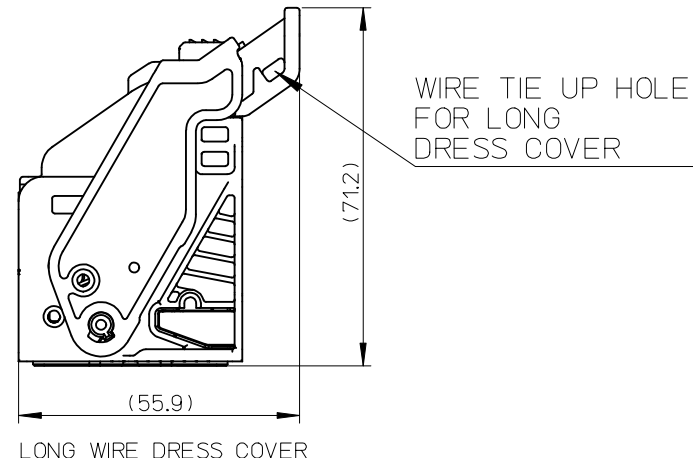
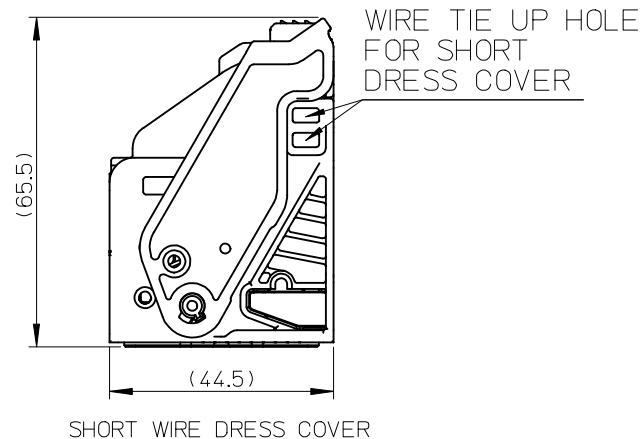
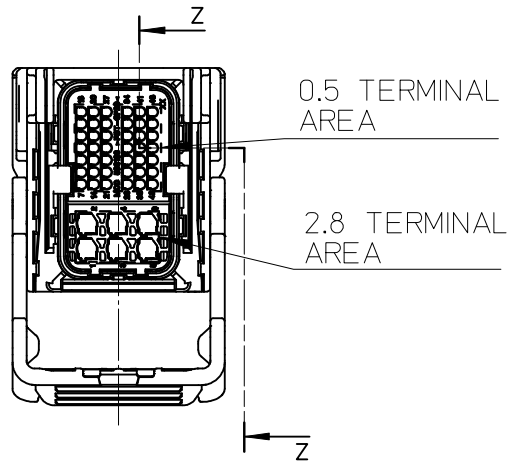
0.5端子側 0.5 TERMINAL SIDE	560151-4821
2.8端子側 2.8 TERMINAL SIDE	560151-4831
ワイヤー引き出し方向 WIRE PULLOUT DIRECTION	型番 MATERIAL NO.

RELEASED EC NO: JTR2016-0083 DRWN: SHSHIBATA 2016/02/08 CHYD: HKOMATSU 2016/03/30 APPR: MAYAMAMOTO 2016/03/30	QUALITY SYMBOLS F ₁ =0 F ₂ =0 F ₃ =0	GENERAL TOLERANCES (UNLESS SPECIFIED)		DIMENSION STYLE	SCALE	DESIGN UNITS	THIRD ANGLE PROJECTION		
		mm	INCH	MM ONLY	1:1	METRIC	◎ □		
		4 PLACES ± --- ± ---	3 PLACES ± --- ± ---	2 PLACES ± --- ± ---	1 PLACE ± --- ± ---	0 PLACE ± --- ± ---	DRAWN BY SHSHIBATA DATE 2016/02/08		
		ANGULAR ± --- °					CHECKED BY HKOMATSU DATE 2016/02/08		
REV O	DESCRIPTION DRAFT WHERE APPLICABLE MUST REMAIN WITHIN DIMENSIONS	DRAFT WHERE APPLICABLE MUST REMAIN WITHIN DIMENSIONS		SEE CHART	MATERIAL NO. MAYAMAMOTO 2016/03/30		TITLE		
		SIZE A3		THIS DRAWING CONTAINS INFORMATION THAT IS PROPRIETARY TO MOLEX INCORPORATED AND SHOULD NOT BE USED WITHOUT WRITTEN PERMISSION		COMPACTUS 48WAY ASSY			
		DOCUMENT NO. SD-560151-001		SHEET NO. 1 OF 2					



PART NAME	MATERIAL	COLOR
① OUTER HOUSING	PBT, GLASS-FILLED	BLACK
② LEVER	PBT, GLASS-FILLED	DARK GRAY
③ SLIDER	PA, GLASS-FILLED	NATURAL (WHITE)
④ REAR SEAL COVER	PBT, GLASS-FILLED	BLACK
⑤ GROMMET SEAL	SILICONE RUBBER	LIGHT BLUE
⑥ INNER HOUSING	PBT, UNFILLED	BLACK
⑦ RING SEAL	SILICONE RUBBER	YELLOW
⑧ ISL	PBT, GLASS-FILLED	NATURAL (WHITE)
⑨ FRONT COVER	PBT, GLASS-FILLED	BLACK

RELEASED EC NO: JTR2016-0083 DRWN:SHSHIBATA 2016/02/08 CHKD:HKOMATSU 2016/03/30 APPR:MAYAMAMOTO 2016/03/30	QUALITY SYMBOLS	GENERAL TOLERANCES (UNLESS SPECIFIED)	DIMENSION STYLE MM ONLY	SCALE 1:1	DESIGN UNITS METRIC	THIRD ANGLE PROJECTION
	$F_A=0$	mm INCH	DRAWN BY DATE	TITLE		
	$F_C=0$	4 PLACES ± --- ± ---	SHSHIBATA 2016/02/08	COMPACTUS 48WAY ASSY		
	$F_P=0$	3 PLACES ± --- ± ---	CHKD BY DATE	molex		
	2 PLACES ± --- ± ---	HKOMATSU 2016/02/08	DOCUMENT NO.			
	1 PLACE ± --- ± ---	APPROVED BY DATE	SD-560151-001			
	0 PLACE ± --- ± ---	MAYAMAMOTO 2016/03/30	SHEET NO.			
	ANGULAR ± --- °	MATERIAL NO.	2 OF 2			
	DRAFT WHERE APPLICABLE MUST REMAIN WITHIN DIMENSIONS	SEE CHART	THIS DRAWING CONTAINS INFORMATION THAT IS PROPRIETARY TO MOLEX INCORPORATED AND SHOULD NOT BE USED WITHOUT WRITTEN PERMISSION			



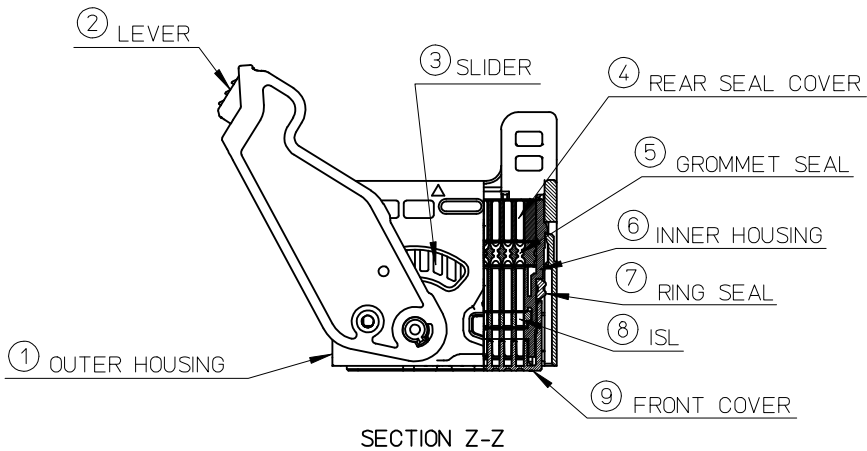
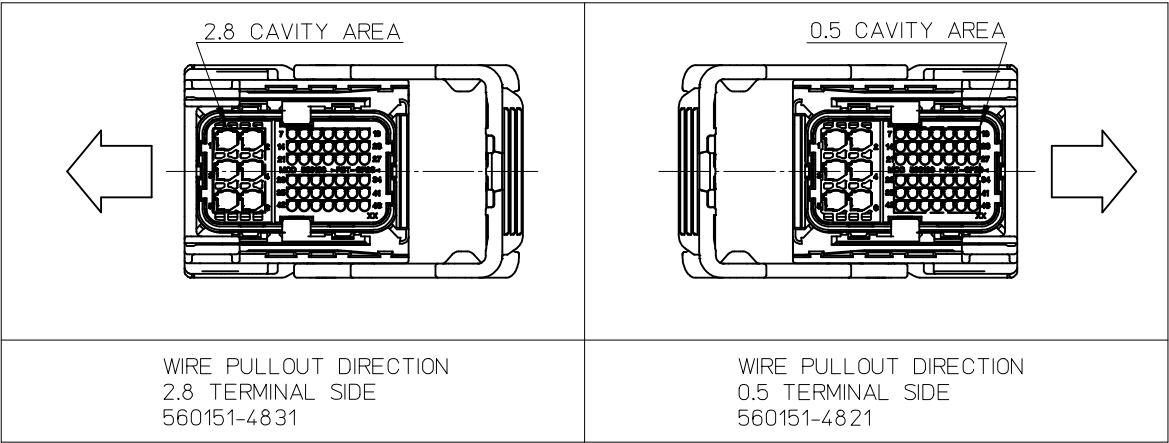
注記

NOTES

1. 一般公差
GENERAL TOLERANCES
 <10: ±0.3
 10 ≤ <30: ±0.4
 30 ≤ : ±0.5
 ANGULAR : ±5°
2. 適用端子
APPLICABLE TERMINAL
 0.5: 560121 SERIES
 2.8: 560122 SERIES
3. 適用電線サイズ
APPLICABLE WIRE SIZE
 0.5: REFER AS-560121-001
 2.8: REFER AS-560122-001
4. 適用被覆サイズ
APPLICABLE INSULATION DIAMETER
 0.5: φ1.4~1.7mm
 2.8: φ2.6~3.0mm
5. 適用ダミープラグ
APPLICABLE DUMMY PLUG
 0.5: 560144-0100
 2.8: 560145-0101
6. 適用ドレスカバー
APPLICABLE WIRE DRESS COVER
 SHORT: 560189-0101
 LONG: 560189-0111
7. ELV AND RoHS COMPLIANT

0.5 端子側 0.5 TERMINAL SIDE	560151-4821
2.8 端子側 2.8 TERMINAL SIDE	560151-4831
ワイヤー引き出し方向 WIRE PULLOUT DIRECTION	型番 MATERIAL NO.

RELEASED EC NO: JTR2016-0083 DRWN:SHSHIBATA 2016/02/08 CHYD:HKOMATSU 2016/03/30 APPR: MAYAMAMOTO 2016/03/30	QUALITY SYMBOLS F ₁ =0 F ₂ =0 F ₃ =0	GENERAL TOLERANCES (UNLESS SPECIFIED)		DIMENSION STYLE	SCALE	DESIGN UNITS	THIRD ANGLE PROJECTION		
		mm	INCH	MM ONLY	1:1	METRIC	⊙ □		
		4 PLACES ± --- ± ---	3 PLACES ± --- ± ---	2 PLACES ± --- ± ---	1 PLACE ± --- ± ---	0 PLACE ± --- ± ---	DRAWN BY SHSHIBATA DATE 2016/02/08		
		ANGULAR ± --- °					CHECKED BY HKOMATSU DATE 2016/02/08		
DRAFT WHERE APPLICABLE MUST REMAIN WITHIN DIMENSIONS		SEE CHART		APPROVED BY DATE 2016/03/30		TITLE			
				MATERIAL NO.		DOCUMENT NO.			
				SIZE A3		COMPACTUS 48WAY ASSY			
				THIS DRAWING CONTAINS INFORMATION THAT IS PROPRIETARY TO MOLEX INCORPORATED AND SHOULD NOT BE USED WITHOUT WRITTEN PERMISSION		molex			
						SD-560151-001			
						SHEET NO. 1 OF 2			



PART NAME	MATERIAL	COLOR
① OUTER HOUSING	PBT, GLASS-FILLED	BLACK
② LEVER	PBT, GLASS-FILLED	DARK GRAY
③ SLIDER	PA, GLASS-FILLED	NATURAL (WHITE)
④ REAR SEAL COVER	PBT, GLASS-FILLED	BLACK
⑤ GROMMET SEAL	SILICONE RUBBER	LIGHT BLUE
⑥ INNER HOUSING	PBT, UNFILLED	BLACK
⑦ RING SEAL	SILICONE RUBBER	YELLOW
⑧ ISL	PBT, GLASS-FILLED	NATURAL (WHITE)
⑨ FRONT COVER	PBT, GLASS-FILLED	BLACK

RELEASED EC NO: JTR2016-0083 DRWN:SHSHIBATA 2016/02/08 CHKD:HKOMATSU 2016/03/30 APPR:MAYAMAMOTO 2016/03/30	QUALITY SYMBOLS	GENERAL TOLERANCES (UNLESS SPECIFIED)	DIMENSION STYLE	SCALE	DESIGN UNITS	THIRD ANGLE PROJECTION
	$F_A=0$	mm INCH	MM ONLY	1:1	METRIC	
	$F_C=0$	4 PLACES ± --- ± ---	DRAWN BY DATE	TITLE		
	$F_P=0$	3 PLACES ± --- ± ---	SHSHIBATA 2016/02/08	COMPACTUS 48WAY ASSY		
	2 PLACES ± --- ± ---	CHECKED BY DATE	DOCUMENT NO.			
	1 PLACE ± --- ± ---	HKOMATSU 2016/02/08	SD-560151-001			
	0 PLACE ± --- ± ---	APPROVED BY DATE	SHEET NO.			
	ANGULAR ± --- °	MAYAMAMOTO 2016/03/30	2 OF 2			
	DRAFT WHERE APPLICABLE MUST REMAIN WITHIN DIMENSIONS	MATERIAL NO.	THIS DRAWING CONTAINS INFORMATION THAT IS PROPRIETARY TO MOLEX INCORPORATED AND SHOULD NOT BE USED WITHOUT WRITTEN PERMISSION			
		SEE CHART				