

LOW PROFILE SHIELDED SMD CHIP POWER INDUCTOR



8.0 x 8.0 x 4.0mm

ASPI-0840



RoHS/RoHS II Compliant

FEATURES:

- Small size and low profile: 4.0mm
- Small DCR and high rated current
- High reliability to mechanical stress
- Magnetically shielded by magnetic powder molding
- Suitable for RoHS reflow profile

APPLICATIONS:

- Mobile phones
- MP3 & 4 and other portable communication equipment
- Digital cameras.

ELECTRICAL SPECIFICATIONS:

Abrakon P/N:	ASPI-0840 Series
Operating Temperature	- 40°C to +125°C
Storage Temperature & Humidity:	<35°C and < 35-65%

Part Number ASPI-0840- Inductance Code	Inductance	Inductance Tolerance	DCR	DCR Tolerance	Saturation Current	Temperature Rise Current
Units	μH	%	mΩ	%	A	A
Symbol	L	M, N	DCR		Isat (Max)	Irms (Max)
ASPI-0840-1R0	1.0	N	7	30%	10.15	7.15
ASPI-0840-1R5	1.5	N	10		8.15	5.65
ASPI-0840-2R2	2.2	M	12		8.00	6.48
ASPI-0840-3R3	3.3	M	17		6.50	5.40
ASPI-0840-4R7	4.7	M	19		5.90	4.80
ASPI-0840-6R8	6.8	M	24		4.95	4.59
ASPI-0840-100	10	M	40		4.30	3.50
ASPI-0840-150	15	M	61		2.95	2.95
ASPI-0840-220	22	M	66		2.50	2.50
ASPI-0840-330	33	M	110		2.07	2.07
ASPI-0840-470	47	M	195		1.75	1.75
ASPI-0840-680	68	M	196		1.45	1.45
ASPI-0840-101	100	M	290		1.15	1.15
ASPI-0840-221	220	M	600		0.85	0.80
ASPI-0840-331	330	M	890		0.68	0.68
ASPI-0840-471	470	M	1500		0.55	0.5
ASPI-0840-681	680	M	2040		0.48	0.48

Test Conditions

Test Freq: 100KHz, 0.25Vrms

Isat: The current when the inductance becomes 35% lower than its initial value (Ta=25°C).

Irms: The current when temperature of coil increases up to max. T=40°C (Ta=25°C).

LOW PROFILE SHIELDED SMD CHIP POWER INDUCTOR



8.0 x 8.0 x 4.0mm

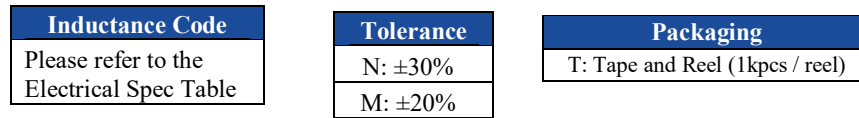
ASPI-0840



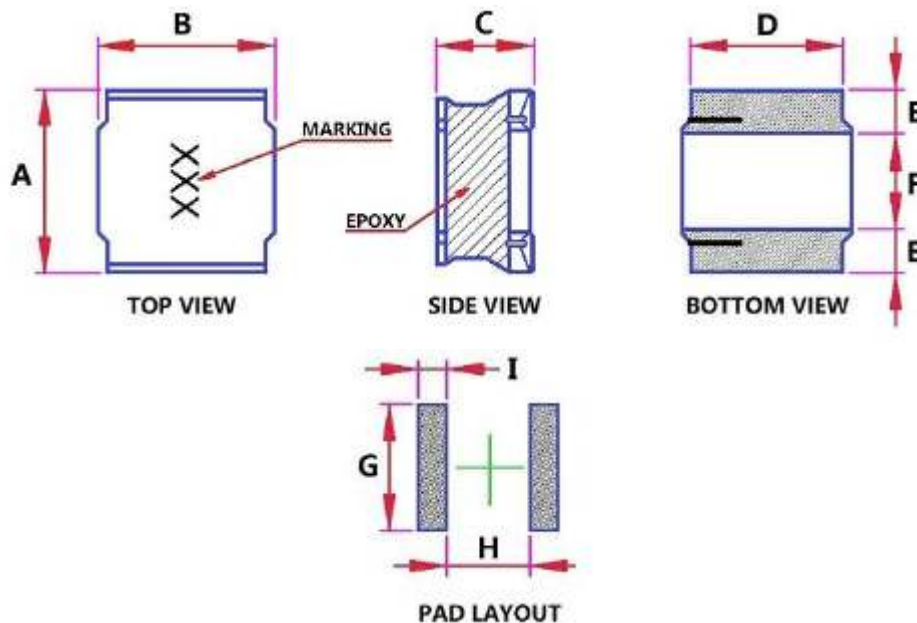
RoHS/RoHS II Compliant

➤ OPTIONS AND PART IDENTIFICATION

ASPI-0840---



➤ MECHANICAL AND MATERIAL INFORMATION:



A	B	C	D	E	F	G	H	I
8.0 \pm 0.3	8.0 \pm 0.3	4.20 MAX	6.30	2.45	3.10	6.60	2.80	2.75

Dimension: mm



5101 Hidden Creek Ln Spicewood TX 78669
 Phone: 512-371-6159 | Fax: 512-351-8858
 For terms and conditions of sales, please visit:
www.abracon.com

REVISED: 03-04-21

ABRACON IS
 ISO9001-2015
 CERTIFIED

LOW PROFILE SHIELDED SMD CHIP POWER INDUCTOR



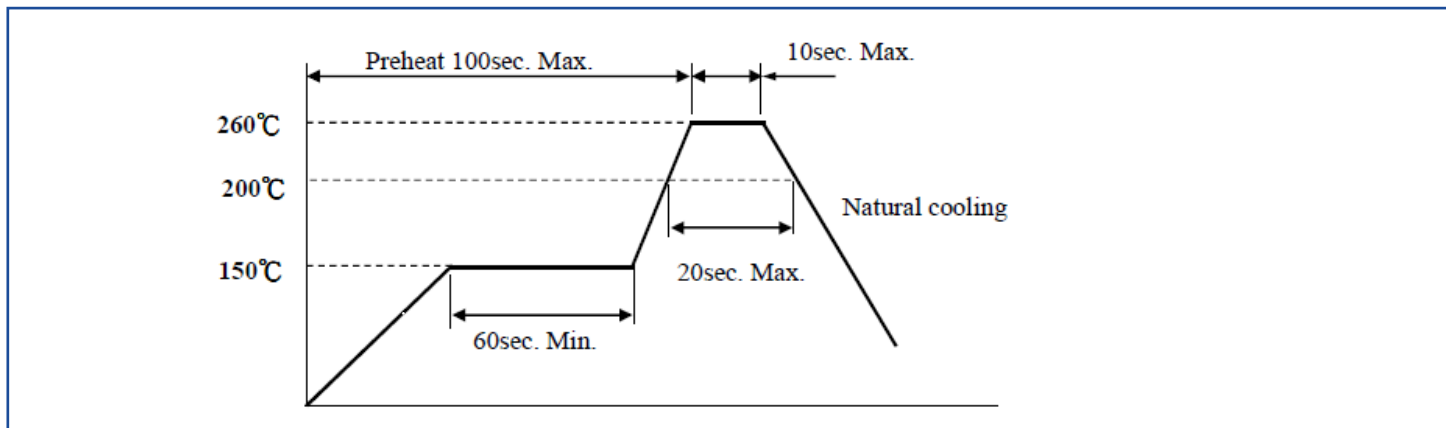
8.0 x 8.0 x 4.0mm

ASPI-0840



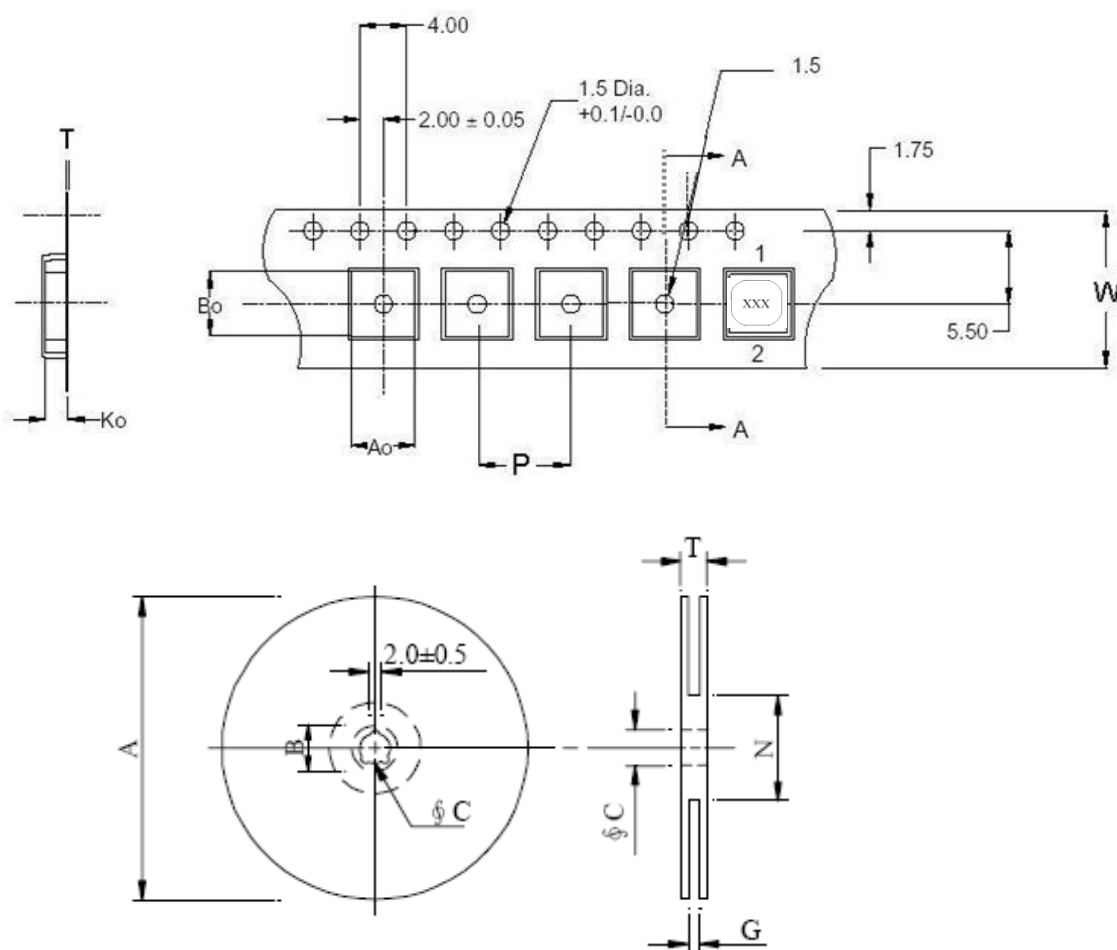
RoHS/RoHS II Compliant

REFLOW PROFILE:



TAPE & REEL:

T: 1,000pcs / reel



Ao	8.50
Bo	8.50
Ko	4.20
W	16.00
P	12.00
T	0.35

A	330
B	21.0±0.8
C	13.5±0.5
G	16.8
N	99.5
T	21

Dimension: mm

ATTENTION: Abracon Corporation's products are COTS – Commercial-Off-The-Shelf products; suitable for Commercial, Industrial and, where designated, Automotive Applications. Abracon's products are not specifically designed for Military, Aviation, Aerospace, Life-dependant Medical applications or any application requiring high reliability where component failure could result in loss of life and/or property. For applications requiring high reliability and/or presenting an extreme operating environment, written consent and authorization from Abracon Corporation is required. Please contact Abracon Corporation for more information.



5101 Hidden Creek Ln Spicewood TX 78669
 Phone: 512-371-6159 | Fax: 512-351-8858
 For terms and conditions of sales, please visit:
www.abracon.com

REVISED: 03-04-21

ABRACON IS
 ISO9001-2015
 CERTIFIED