

PRODUCT NUMBER

91614-YXXZLF

RoHS COMPATIBLE PRODUCT, NOTE 7.

A: TAPE & REEL PACKAGING, PRODUCT AND CAP GREY, TA-856.

G: TAPE & REEL PACKAGING, PRODUCT AND CAP BLACK, TA-856.

AV: TAPE & REEL PACKAGING FOR CUSTOMER DEDICATED PART, PRODUCT AND GREY CAP TA-856.

KV: TAPE & REEL PACKAGING WITHOUT PICK-UP CAP FOR CUSTOMER DEDICATED PART GREY TA-856.

TV: TUBE WITHOUT CAP FOR CUSTOMER DEDICATED PART, GREY COLOR.

B: TUBE WITHOUT CAP, PRODUCT BLACK, NOTE 3.

: OMIT LETTER MEANS STD PACKAGING TUBE, NOTE 3.

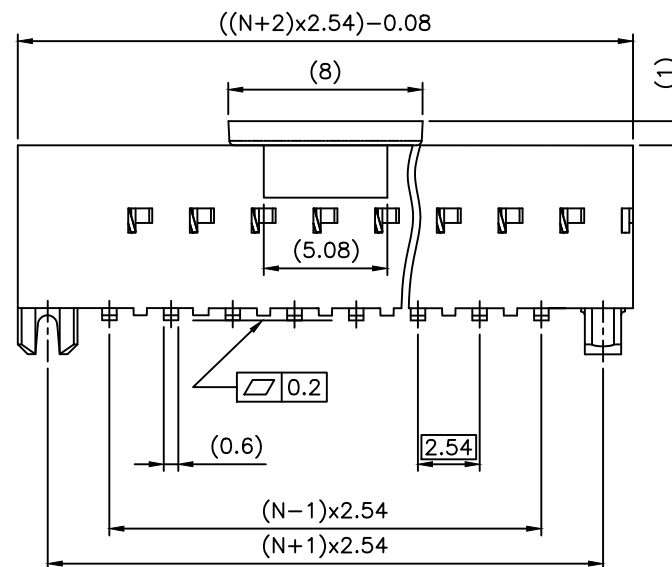
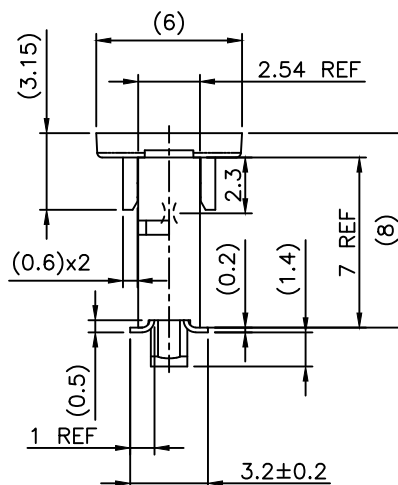
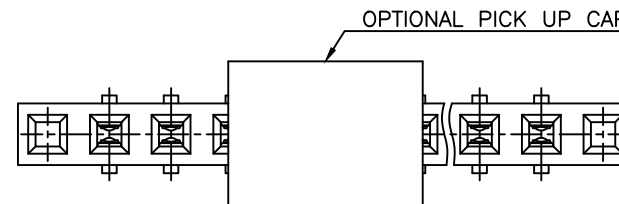
NUMBER OF POSITIONS: 03 UP TO 25, OVER 25 POS ON REQUEST

PLATING CODE

3= 0.76µm GOLD ON CONTACT AREA.
2µm MIN MATTE TIN ON TAIL.

4= 2µm MIN MATTE TIN FULL PLATED

1.27µm Ni MIN UNDERPLATING



NOTES:

- 1 - HOUSING & PICK UP CAP MATERIAL: HIGH TEMPERATURE THERMOPLASTIC GLASS FILLED FLAME RETARDANT PER UL 94 COLOR: GREY or BLACK
- 2 - TERMINAL MATERIAL: PHOSPHOR BRONZE.
- 3 - 91614-YXXLF & -YXXGLF & -YXXBLF ARE PACKED IN TUBE.
- 4 - TO DETERMINE DIMENSIONS:
N = NUMBER OF POSITIONS
EXAMPLE: 8 POS: ((N+2)x2.54)-0.08=25.32 mm.
- 5 - RECOMMENDED IR PROFILE PER TA842.
- 6 - Ø2.65 MINI FOR PICK & PLACE ASSEMBLY(=0 INSERTION FORCE).
- 7 - RoHS COMPATIBLE PRODUCT SPECIFICATIONS
 - a - PLATING:
- "LF" MEANS THE PRODUCT IS LEAD-FREE, 2µm MINIMUM MATTE TIN OVER 1.27µm MINIMUM NICKEL UNDERPLATE.
 - b - MANUFACTURING PROCESS COMPATIBILITY
- THE HOUSING WILL WITHSTAND EXPOSURE TO 260°C PEAK TEMPERATURE FOR 30 SECONDS MAX IN A CONVECTION, INFRA-RED OR VAPOR PHASE OR REFLOW OVEN.
 - c - LABELING:
- MEETS PACKAGING SPECS AS PER GS-14-920
 - d - LEGAL STATEMENT: SEE GS-47-0004

mat'l. code		surface		tolerance		projection		product family	
SEE NOTES		ISO 1302 ✓		ISO 406 ISO 1101		DUBOX		DUBOX	
ltr	ecn no	dr	date	tolerances unless otherwise specified		mm		title	
AF	F-41245	DDE	21.06.17	angles	linear	.X ±0.3	DUBOX	BtB RECEPT.	
						.XX ±0.15		VERT SR SMT	
						.XXX ±0.05		scale 1:1	
AA	F11-0338	JCO	11.11.05	±2'				dwg no	
AB	B-15631	JCO	13.07.26	dr	D LEGRAND	02.01.31		sheet 1 of 2	
AC	B-16805	JCO	14.01.21	engr	P NIZZI	02.01.31		size	
AD	B-19123	LMU	14.10.21	chr	DLE	02.01.31		91614 A3	
AE	B-19716	BVE	14.12.11	appd	PNZ	02.01.31		type CUSTOMER Drawing	
sheet	revision	AF	B						
index	sheet	1	2						

A

B

C

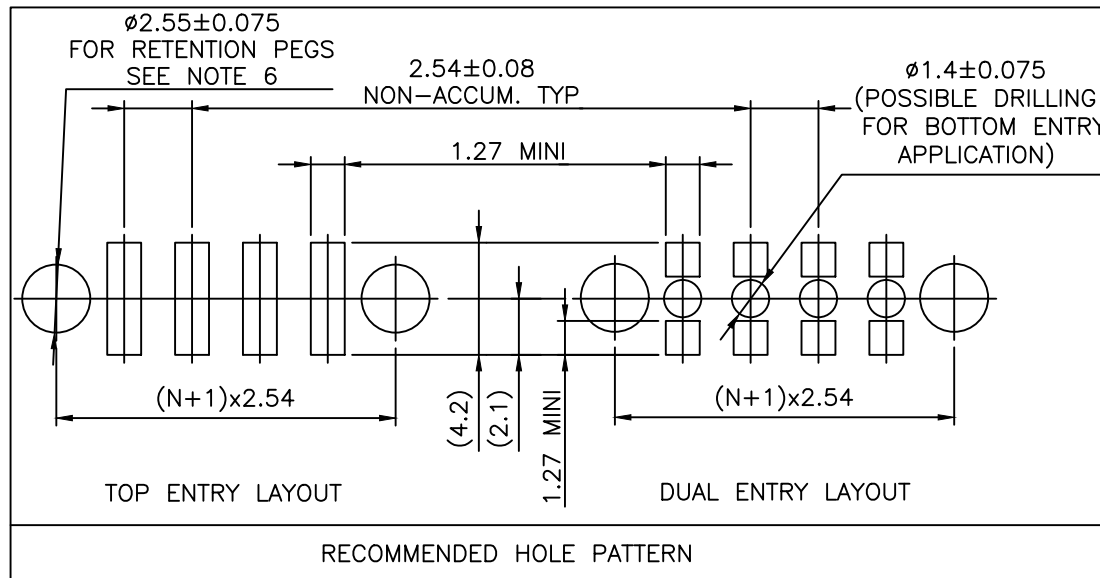
D

A

B

C

D



Copyright FCI

mat'l. code SEE NOTES				surface ISO 1302 <input checked="" type="checkbox"/>		tolerance ISO 406 ISO 1101		projection 		product family DUBOX	
ltr	ecn no	dr	date	tolerances unless otherwise specified		±0.3		mm 		title BtB RECEPT. VERT SR SMT	
A	F04-0347	DLE	04.11.10	angles	linear			scale 1:1		dwg no 91614	
B	F06-0204	DLE	06.06.23	±2'						sheet 2 of - size A3	
				dr	D LEGRAND	04.11.10				type CUSTOMER Drawing	
				engr	P NIZZI	04.11.10					
				chr	D LEGRAND	04.11.10					
				appd	P NZ	04.11.10					
sheet index		revision sheet									